



WEST VIRGINIA VS. DUQUESNE - WNIT THIRD ROUND

3/26/2015

WVU Coliseum, Morgantown, W.Va.

FINAL STATS

West Virginia

(21-14)

60

Duquesne

(23-11)

39

Start Time: 7:00 p.m.

Officials: Bryan Enterline, Frank Steratore, Kevin Pethtel

Attendance: 1471

Start Time: 7:05 End Time: 8:42

Official Basketball Box Score -- Game Totals -- Final Statistics

Duquesne vs West Virginia

3/26/2015 7:00 p.m. at WVU Coliseum, Morgantown, W.Va.

Duquesne 39 - 23-11

##	Player	S	Total			3-Ptr			Rebounds			PF	TP	A	TO	Blk	Stl	Min
			FG-FGA	3PT FG-FGA	FT-FTA	Off Reb	Def Reb	Tot Reb										
04	JOHNSON,JOSE-ANN	c	1-8	0-0	1-2	2	4	6	4	3	1	5	4	1	26			
15	SZAMOSI,AMADEA	f	2-6	0-0	2-2	1	3	4	1	6	1	0	0	0	31			
22	BRESNAHAN,OLIVIA	g	2-5	0-1	3-6	1	6	7	3	7	1	2	0	1	38			
23	NURKIC,BELMA	g	3-13	1-5	0-0	2	6	8	2	7	2	4	0	2	37			
32	ROBINSON,APRIL	g	5-13	2-6	2-2	0	4	4	2	14	1	0	1	1	34			
02	WORKMAN,DEVA'NYAR		1-4	0-2	0-2	0	2	2	0	2	1	1	0	0	9			
03	SUTTON,TANESHA		0-0	0-0	0-0	0	0	0	0	0	0	0	0	0	1			
05	DULING,KYASIA		0-0	0-0	0-0	0	1	1	0	0	0	0	0	0	2			
42	KING,STASIA		0-2	0-0	0-0	0	1	1	4	0	0	2	0	0	21			
45	GRONAS,EMILIE		0-0	0-0	0-0	0	0	0	0	0	0	0	0	0	1			
TEAM						3	2	5	0		0							
Totals			14-51	3-14	8-14	9	29	38	16	39	7	14	5	5	200			

FG %	1st Half:	8-27	29.6%	2nd Half:	6-24	25.0%	Game:	14-51	27.5%	Deadball
3FG %	1st Half:	2-9	22.2%	2nd Half:	1-5	20.0%	Game:	3-14	21.4%	Rebounds
FT %	1st Half:	3-6	50.0%	2nd Half:	5-8	62.5%	Game:	8-14	57.1%	3,1

West Virginia 60 - 21-14

##	Player	S	Total			3-Ptr			Rebounds			PF	TP	A	TO	Blk	Stl	Min
			FG-FGA	3PT FG-FGA	FT-FTA	Off Reb	Def Reb	Tot Reb										
05	FIELDS,AVEREE	f	8-13	0-0	3-6	4	7	11	3	19	4	0	0	2	38			
15	MONTGOMERY,LANAY	c	2-5	0-0	0-1	1	5	6	3	4	0	2	2	0	26			
20	MCDONALD,BRE	f	1-7	1-2	0-0	1	3	4	2	3	1	1	0	1	17			
22	STEPNEY,LINDA	g	0-4	0-1	0-0	0	5	5	2	0	7	1	0	0	35			
23	HOLMES,BRIA	g	6-19	2-5	3-8	3	3	6	1	17	1	2	1	1	35			
04	MONTGOMERY,KAYLA		0-0	0-0	0-0	0	0	0	0	0	0	0	0	0	4			
11	MULDROW,TEANA		6-14	3-7	0-0	4	2	6	2	15	1	1	0	1	20			
21	MORTON,JESSICA		0-3	0-1	2-2	1	1	2	0	2	2	0	0	0	12			
32	LEARY,CRYSTAL		0-1	0-0	0-0	3	2	5	1	0	0	0	0	0	13			
TEAM						1	3	4	0		0							
Totals			23-66	6-16	8-17	18	31	49	14	60	16	7	3	5	200			

FG %	1st Half:	15-35	42.9%	2nd Half:	8-31	25.8%	Game:	23-66	34.8%	Deadball
3FG %	1st Half:	4-10	40.0%	2nd Half:	2-6	33.3%	Game:	6-16	37.5%	Rebounds
FT %	1st Half:	1-2	50.0%	2nd Half:	7-15	46.7%	Game:	8-17	47.1%	4,0

Officials: Bryan Enterline, Frank Steratore, Kevin Pethtel

Technical Fouls: Duquesne- None. West Virginia- None.

Attendance: 1471

Start Time: 7:05 End Time: 8:42

Score by periods	1st	2nd	Total
Duquesne	21	18	39
West Virginia	35	25	60

	In	Off	2nd	Fast	
Points	Paint	Off T/O	2nd Chance	Fast Break	Bench
Duquesne	14	4	6	2	2
West Virginia	26	17	6	2	17

Largest lead - Duquesne by 2 1st-18:29;

West Virginia by 22 2nd-11:20

Score tied - 0 times

Lead changed - 3 times

Official Basketball Box Score -- Game Totals -- First Half Statistics

Duquesne vs West Virginia

3/26/2015 7:00 p.m. at WVU Coliseum, Morgantown, W.Va.

Duquesne 21 • 23-11

##	Player	S	Total			Rebounds			PF	TP	A	TO	Blk	Stl	Min
			FG-FGA	3PT FG-FGA	FT-FTA	Off Reb	Def Reb	Tot Reb							
04	JOHNSON,JOSE-ANN	c	1-6	0-0	1-2	2	1	3	2	3	1	5	4	0	16
15	SZAMOSI, AMADEA	f	2-3	0-0	0-0	1	1	2	1	4	1	0	0	0	15
22	BRESNAHAN, OLIVIA	g	1-3	0-1	2-4	1	3	4	1	4	1	0	0	0	20
23	NURKIC, BELMA	g	2-6	1-4	0-0	0	4	4	0	5	0	1	0	0	18
32	ROBINSON, APRIL	g	2-6	1-3	0-0	0	3	3	0	5	1	0	0	0	17
02	WORKMAN, DEVA'NYAR		0-2	0-1	0-0	0	1	1	0	0	1	0	0	0	5
03	SUTTON, TANESHA		0-0	0-0	0-0	0	0	0	0	0	0	0	0	0	0
05	DULING, KYASIA		0-0	0-0	0-0	0	0	0	0	0	0	0	0	0	0
42	KING, STASIA		0-1	0-0	0-0	0	0	0	1	0	0	1	0	0	9
45	GRONAS, EMILIE		0-0	0-0	0-0	0	0	0	0	0	0	0	0	0	0
TEAM						2	1	3	0		0				
Totals			8-27	2-9	3-6	6	14	20	5	21	5	7	4	0	100

FG %	Half:	8-27	29.6%
3FG %	Half:	2-9	22.2%
FT %	Half:	3-6	50.0%

West Virginia 35 • 21-14

##	Player	S	Total			Rebounds			PF	TP	A	TO	Blk	Stl	Min
			FG-FGA	3PT FG-FGA	FT-FTA	Off Reb	Def Reb	Tot Reb							
05	FIELDS, AVEREE	f	4-7	0-0	1-1	1	4	5	1	9	3	0	0	0	19
15	MONTGOMERY, LANAY	c	2-5	0-0	0-1	1	3	4	1	4	0	1	2	0	17
20	MCDONALD, BRE	f	1-4	1-2	0-0	1	2	3	1	3	1	1	0	1	11
22	STEPNEY, LINDA	g	0-3	0-1	0-0	0	3	3	0	0	3	0	0	0	18
23	HOLMES, BRIA	g	5-9	2-3	0-0	1	0	1	1	12	0	0	1	0	17
04	MONTGOMERY, KAYLA		0-0	0-0	0-0	0	0	0	0	0	0	0	0	0	2
11	MULDROW, TEANA		3-5	1-3	0-0	2	1	3	2	7	1	0	0	1	7
21	MORTON, JESSICA		0-2	0-1	0-0	0	1	1	0	0	1	0	0	0	7
32	LEARY, CRYSTAL		0-0	0-0	0-0	0	0	0	0	0	0	0	0	0	2
TEAM						0	1	1	0		0				
Totals			15-35	4-10	1-2	6	15	21	6	35	9	2	3	2	100

FG %	Half:	15-35	42.9%
3FG %	Half:	4-10	40.0%
FT %	Half:	1-2	50.0%

Officials: Bryan Enterline, Frank Steratore, Kevin Pethtel

Technical Fouls: Duquesne- None. West Virginia- None.

Start Time: 7:05 End Time: 8:42

	In	Off	2nd	Fast	
Points	Paint	Off T/O	2nd Chance	Fast Break	Bench
Duquesne	8	0	6	0	0
West Virginia	20	7	7	2	7

Score tied - 0 times

Lead changed - 3 times

Duquesne vs West Virginia

3/26/2015; 7:00 p.m. at WVU Coliseum, Morgantown, W.Va.

Period 1 Play-By-Play

VISITORS: Duquesne	Time	Score	Margin	HOME: West Virginia
TURNOVER by NURKIC,BELMA	19:39			
	19:38			STEAL by MCDONALD,BRE
	19:13			TURNOVER by MCDONALD,BRE
	19:13			FOUL by MCDONALD,BRE
MISSED LAYUP by ROBINSON,APRIL	18:49			
	18:49			REBOUND (DEF) by MCDONALD,BRE
	18:39			MISSED 3PTR by STEPNEY,LINDA
REBOUND (DEF) by NURKIC,BELMA	18:39			
GOOD! LAYUP by SZAMOSI,AMADEA	18:29	0-2	V 2	
ASSIST by BRESNAHAN,OLIVIA	18:29			
	18:11	3-2	H 1	GOOD! 3PTR by HOLMES,BRIA
MISSED JUMPER by JOHNSON,JOSE-ANN	17:36			
REBOUND (OFF) by SZAMOSI,AMADEA	17:36			
MISSED LAYUP by SZAMOSI,AMADEA	17:17			
REBOUND (OFF) by JOHNSON,JOSE-ANN	17:17			
GOOD! JUMPER by JOHNSON,JOSE-ANN	17:14	3-4	V 1	
	16:58			MISSED JUMPER by MONTGOMERY,LANAY
	16:58			REBOUND (OFF) by MONTGOMERY,LANAY
	16:56			MISSED JUMPER by MONTGOMERY,LANAY
BLOCK by JOHNSON,JOSE-ANN	16:56			
REBOUND (DEF) by NURKIC,BELMA	16:54			
TURNOVER by JOHNSON,JOSE-ANN	16:45			
	16:32			MISSED JUMPER by FIELDS,AVEREE
REBOUND (DEF) by ROBINSON,APRIL	16:32			
MISSED 3PTR by NURKIC,BELMA	16:09			
	16:09			REBOUND (DEF) by MCDONALD,BRE
	15:55	5-4	H 1	GOOD! JUMPER by MONTGOMERY,LANAY
	15:55			ASSIST by FIELDS,AVEREE
MISSED JUMPER by JOHNSON,JOSE-ANN	15:33			
	15:33			REBOUND (DEF) by MONTGOMERY,LANAY
	15:13	7-4	H 3	GOOD! JUMPER by HOLMES,BRIA
	15:13			ASSIST by FIELDS,AVEREE
MISSED 3PTR by ROBINSON,APRIL	14:52			
	14:52			REBOUND (DEF) by FIELDS,AVEREE
	14:42			MISSED JUMPER by FIELDS,AVEREE
REBOUND (DEF) by NURKIC,BELMA	14:42			
TURNOVER by JOHNSON,JOSE-ANN	14:26			
	14:26			TIMEOUT MEDIA
SUB IN: KING,STASIA	14:26			
SUB IN: WORKMAN,DEVA'NYAR	14:26			
SUB OUT: JOHNSON,JOSE-ANN	14:26			
SUB OUT: NURKIC,BELMA	14:26			
	14:26			SUB IN: MONTGOMERY,KAYLA
	14:26			SUB OUT: MONTGOMERY,LANAY
	14:09	9-4	H 5	GOOD! LAYUP by FIELDS,AVEREE
	14:09			ASSIST by MCDONALD,BRE
FOUL by KING,STASIA	14:09			
	14:09	10-4	H 6	GOOD! FT by FIELDS,AVEREE
MISSED 3PTR by WORKMAN,DEVA'NYAR	13:55			
	13:55			REBOUND (DEF) by TEAM
	13:31			MISSED JUMPER by HOLMES,BRIA
REBOUND (DEF) by BRESNAHAN,OLIVIA	13:31			
GOOD! JUMPER by ROBINSON,APRIL	13:10	10-6	H 4	
	12:48	13-6	H 7	GOOD! 3PTR by MCDONALD,BRE
	12:48			ASSIST by STEPNEY,LINDA
MISSED JUMPER by KING,STASIA	12:34			
REBOUND (OFF) by TEAM	12:34			
	12:33			FOUL by FIELDS,AVEREE
SUB IN: JOHNSON,JOSE-ANN	12:33			
SUB OUT: SZAMOSI,AMADEA	12:33			
	12:33			SUB IN: MULDROW,TEANA
	12:33			SUB IN: LEARY,CRYSTAL
	12:33			SUB IN: MORTON,JESSICA
	12:33			SUB OUT: MONTGOMERY,KAYLA
	12:33			SUB OUT: MCDONALD,BRE
	12:33			SUB OUT: STEPNEY,LINDA
	12:18			FOUL by HOLMES,BRIA
GOOD! FT by BRESNAHAN,OLIVIA	12:18	13-7	H 6	
MISSED FT by BRESNAHAN,OLIVIA	12:18			
	12:18			REBOUND (DEF) by FIELDS,AVEREE
SUB IN: NURKIC,BELMA	12:18			
SUB OUT: ROBINSON,APRIL	12:18			
	12:03	16-7	H 9	GOOD! 3PTR by HOLMES,BRIA
MISSED JUMPER by JOHNSON,JOSE-ANN	11:40			

	11:40				REBOUND (DEF) by FIELDS,AVEREE
	11:28				MISSED 3PTR by MULDROW,TEANA
REBOUND (DEADB) by TEAM	11:28				
TIMEOUT MEDIA	11:23				
	11:23				SUB IN: MONTGOMERY,LANAY
	11:23				SUB OUT: FIELDS,AVEREE
GOOD! JUMPER by NURKIC,BELMA	11:18	16-9		H 7	
	11:01	18-9		H 9	GOOD! LAYUP by HOLMES,BRIA
GOOD! 3PTR by NURKIC,BELMA	10:44	18-12		H 6	
ASSIST by WORKMAN,DEVA'NYAR	10:44				
	10:43				TIMEOUT 30SEC
	10:43				SUB IN: MCDONALD,BRE
	10:43				SUB IN: STEPNEY,LINDA
	10:43				SUB OUT: MULDROW,TEANA
	10:43				SUB OUT: MORTON,JESSICA
	10:25				SUB IN: FIELDS,AVEREE
	10:25				SUB OUT: LEARY,CRYSTAL
	10:19				MISSED JUMPER by MONTGOMERY,LANAY
REBOUND (DEF) by WORKMAN,DEVA'NYAR	10:19				
	10:10				FOUL by MONTGOMERY,LANAY
GOOD! FT by BRESNAHAN,OLIVIA	10:10	18-13		H 5	
MISSED FT by BRESNAHAN,OLIVIA	10:10				
	10:10				REBOUND (DEF) by FIELDS,AVEREE
	10:10				SUB IN: MULDROW,TEANA
	10:10				SUB OUT: HOLMES,BRIA
	09:48	20-13		H 7	GOOD! JUMPER by FIELDS,AVEREE
	09:48				ASSIST by MULDROW,TEANA
MISSED JUMPER by WORKMAN,DEVA'NYAR	09:33				
	09:33				BLOCK by MONTGOMERY,LANAY
	09:30				REBOUND (DEF) by STEPNEY,LINDA
	09:23				MISSED JUMPER by MCDONALD,BRE
BLOCK by JOHNSON,JOSE-ANN	09:23				
REBOUND (DEF) by NURKIC,BELMA	09:19				
MISSED LAYUP by JOHNSON,JOSE-ANN	09:08				
	09:08				BLOCK by MONTGOMERY,LANAY
REBOUND (OFF) by TEAM	09:07				
SUB IN: ROBINSON,APRIL	09:05				
SUB OUT: WORKMAN,DEVA'NYAR	09:05				
GOOD! JUMPER by BRESNAHAN,OLIVIA	09:02	20-15		H 5	
ASSIST by ROBINSON,APRIL	09:02				
	08:46				MISSED 3PTR by MCDONALD,BRE
REBOUND (DEF) by ROBINSON,APRIL	08:46				
TURNOVER by KING,STASIA	08:35				
	08:29				STEAL by MULDROW,TEANA
	08:19				MISSED JUMPER by FIELDS,AVEREE
	08:19				REBOUND (OFF) by MULDROW,TEANA
	08:14	22-15		H 7	GOOD! LAYUP by MULDROW,TEANA
MISSED JUMPER by NURKIC,BELMA	07:53				
	07:53				REBOUND (DEF) by MULDROW,TEANA
	07:40				MISSED 3PTR by MULDROW,TEANA
REBOUND (DEF) by BRESNAHAN,OLIVIA	07:40				
MISSED 3PTR by ROBINSON,APRIL	07:32				
	07:32				REBOUND (DEF) by STEPNEY,LINDA
	07:22				MISSED JUMPER by MCDONALD,BRE
BLOCK by JOHNSON,JOSE-ANN	07:22				
	07:21				REBOUND (OFF) by MCDONALD,BRE
FOUL by BRESNAHAN,OLIVIA	07:05				
	07:05				TIMEOUT MEDIA
SUB IN: SZAMOSI,AMADEA	07:05				
SUB OUT: KING,STASIA	07:05				
	07:05				SUB IN: HOLMES,BRIA
	07:05				SUB OUT: MCDONALD,BRE
	07:04	25-15		H 10	GOOD! 3PTR by MULDROW,TEANA
	07:04				ASSIST by STEPNEY,LINDA
MISSED LAYUP by JOHNSON,JOSE-ANN	06:22				
	06:22				REBOUND (DEF) by MONTGOMERY,LANAY
	06:13				MISSED JUMPER by HOLMES,BRIA
REBOUND (DEF) by BRESNAHAN,OLIVIA	06:13				
	05:55				FOUL by MULDROW,TEANA
MISSED 3PTR by BRESNAHAN,OLIVIA	05:36				
	05:36				BLOCK by HOLMES,BRIA
REBOUND (OFF) by BRESNAHAN,OLIVIA	05:34				
MISSED 3PTR by NURKIC,BELMA	05:31				
REBOUND (OFF) by JOHNSON,JOSE-ANN	05:31				
	05:30				FOUL by MULDROW,TEANA
MISSED FT by JOHNSON,JOSE-ANN	05:30				
REBOUND (DEADB) by TEAM	05:30				
GOOD! FT by JOHNSON,JOSE-ANN	05:30	25-16		H 9	
	05:19				MISSED JUMPER by STEPNEY,LINDA
	05:19				REBOUND (OFF) by MULDROW,TEANA
	05:13	27-16		H 11	GOOD! LAYUP by MULDROW,TEANA
GOOD! 3PTR by ROBINSON,APRIL	04:54	27-19		H 8	
ASSIST by SZAMOSI,AMADEA	04:54				

	04:41	29-19	H 10	GOOD! LAYUP by MONTGOMERY,LANAY
	04:41			ASSIST by FIELDS,AVEREE
FOUL by SZAMOSI,AMADEA	04:41			
	04:41			MISSED FT by MONTGOMERY,LANAY
REBOUND (DEF) by JOHNSON,JOSE-ANN	04:41			
	04:41			SUB IN: MORTON,JESSICA
	04:41			SUB OUT: MULDROW,TEANA
GOOD! LAYUP by SZAMOSI,AMADEA	04:19	29-21	H 8	
ASSIST by JOHNSON,JOSE-ANN	04:19			
	04:06			MISSED JUMPER by MORTON,JESSICA
REBOUND (DEF) by SZAMOSI,AMADEA	04:06			
TURNOVER by JOHNSON,JOSE-ANN	03:53			
	03:51			TIMEOUT MEDIA
	03:22			MISSED 3PTR by HOLMES,BRIA
	03:22			REBOUND (OFF) by FIELDS,AVEREE
	03:08			MISSED JUMPER by HOLMES,BRIA
	03:08			REBOUND (OFF) by HOLMES,BRIA
	02:50			MISSED LAYUP by STEPNEY,LINDA
BLOCK by JOHNSON,JOSE-ANN	02:50			
REBOUND (DEF) by TEAM	02:50			
TURNOVER by JOHNSON,JOSE-ANN	02:37			
FOUL by JOHNSON,JOSE-ANN	02:37			
	02:24	31-21	H 10	GOOD! JUMPER by FIELDS,AVEREE
	02:24			ASSIST by STEPNEY,LINDA
TURNOVER by JOHNSON,JOSE-ANN	02:05			
FOUL by JOHNSON,JOSE-ANN	02:05			
SUB IN: KING,STASIA	02:05			
SUB OUT: JOHNSON,JOSE-ANN	02:05			
	01:42			TURNOVER by MONTGOMERY,LANAY
MISSED JUMPER by ROBINSON,APRIL	01:22			
	01:22			REBOUND (DEF) by MONTGOMERY,LANAY
	01:14			MISSED 3PTR by MORTON,JESSICA
REBOUND (DEF) by ROBINSON,APRIL	01:14			
MISSED 3PTR by NURKIC,BELMA	00:46			
	00:46			REBOUND (DEF) by STEPNEY,LINDA
	00:29	33-21	H 12	GOOD! LAYUP by FIELDS,AVEREE
MISSED JUMPER by BRESNAHAN,OLIVIA	00:15			
	00:15			REBOUND (DEF) by MORTON,JESSICA
	00:05	35-21	H 14	GOOD! JUMPER by HOLMES,BRIA
	00:05			ASSIST by MORTON,JESSICA

Duquesne 21, West Virginia 35

Period 1-only	In Paint	Off T/O	2nd Chance	Fast Break	Bench	
Duquesne	8	0	6	0	0	Score tied - 0 times
West Virginia	20	7	7	2	7	Lead changed - 2 times

Official Basketball Box Score -- Game Totals -- Second Half Statistics

Duquesne vs West Virginia

3/26/2015 7:00 p.m. at WVU Coliseum, Morgantown, W.Va.

Duquesne 18 • 23-11

##	Player	S	Total	3-Ptr	FT-FTA	Rebounds			PF	TP	A	TO	Blk	Stl	Min
			FG-FGA	3PT FG-FGA		Off Reb	Def Reb	Tot Reb							
04	JOHNSON,JOSE-ANN	c	0-2	0-0	0-0	0	3	3	2	0	0	0	0	1	10
15	SZAMOSI, AMADEA	f	0-3	0-0	2-2	0	2	2	0	2	0	0	0	0	16
22	BRESNAHAN, OLIVIA	g	1-2	0-0	1-2	0	3	3	2	3	0	2	0	1	18
23	NURKIC, BELMA	g	1-7	0-1	0-0	2	2	4	2	2	2	3	0	2	19
32	ROBINSON, APRIL	g	3-7	1-3	2-2	0	1	1	2	9	0	0	1	1	17
02	WORKMAN, DEVA'NYAR		1-2	0-1	0-2	0	1	1	0	2	0	1	0	0	4
03	SUTTON, TANESHA		0-0	0-0	0-0	0	0	0	0	0	0	0	0	0	1
05	DULING, KYASIA		0-0	0-0	0-0	0	1	1	0	0	0	0	0	0	2
42	KING, STASIA		0-1	0-0	0-0	0	1	1	3	0	0	1	0	0	12
45	GRONAS, EMILIE		0-0	0-0	0-0	0	0	0	0	0	0	0	0	0	1
TEAM						1	1	2	0			0			
Totals			6-24	1-5	5-8	3	15	18	11	18	2	7	1	5	100

FG %	Half:	6-24	25.0%
3FG %	Half:	1-5	22.2%
FT %	Half:	5-8	62.5%

West Virginia 25 • 21-14

##	Player	S	Total	3-Ptr	FT-FTA	Rebounds			PF	TP	A	TO	Blk	Stl	Min
			FG-FGA	3PT FG-FGA		Off Reb	Def Reb	Tot Reb							
05	FIELDS, AVEREE	f	4-6	0-0	2-5	3	3	6	2	10	1	0	0	2	19
15	MONTGOMERY, LANAY	c	0-0	0-0	0-0	0	2	2	2	0	0	1	0	0	9
20	MCDONALD, BRE	f	0-3	0-0	0-0	0	1	1	1	0	0	0	0	0	6
22	STEPNEY, LINDA	g	0-1	0-0	0-0	0	2	2	2	0	4	1	0	0	17
23	HOLMES, BRIA	g	1-10	0-2	3-8	2	3	5	0	5	1	2	0	1	18
04	MONTGOMERY, KAYLA		0-0	0-0	0-0	0	0	0	0	0	0	0	0	0	2
11	MULDROW, TEANA		3-9	2-4	0-0	2	1	3	0	8	0	1	0	0	13
21	MORTON, JESSICA		0-1	0-0	2-2	1	0	1	0	2	1	0	0	0	5
32	LEARY, CRYSTAL		0-1	0-0	0-0	3	2	5	1	0	0	0	0	0	11
TEAM						1	2	3	0			0			
Totals			8-31	2-6	7-15	12	16	28	8	25	7	5	0	3	100

FG %	Half:	8-31	25.8%
3FG %	Half:	2-6	40.0%
FT %	Half:	7-15	46.7%

Officials: Bryan Enterline, Frank Steratore, Kevin Pethtel

Technical Fouls: Duquesne- None. West Virginia- None.

Start Time: 7:05 End Time: 8:42

	In	Off	2nd	Fast	
Points	Paint	Off T/O	2nd Chance	Fast Break	Bench
Duquesne	6	4	0	2	2
West Virginia	6	10	3	0	10

Score tied - 0 times

Lead changed - 0 times

Duquesne vs West Virginia

3/26/2015; 7:00 p.m. at WVU Coliseum, Morgantown, W.Va.

Period 2 Play-By-Play

VISITORS: Duquesne	Time	Score	Margin	HOME: West Virginia
MISSED JUMPER by JOHNSON,JOSE-ANN	19:48			
	19:48			REBOUND (DEF) by MONTGOMERY,LANAY
	19:45			TURNOVER by MONTGOMERY,LANAY
STEAL by ROBINSON,APRIL	19:44			
GOOD! JUMPER by ROBINSON,APRIL	19:43	35-23	H 12	
	19:20			MISSED 3PTR by HOLMES,BRIA
REBOUND (DEF) by JOHNSON,JOSE-ANN	19:20			
TURNOVER by NURKIC,BELMA	19:03			
	18:42			MISSED JUMPER by MCDONALD,BRE
BLOCK by ROBINSON,APRIL	18:42			
REBOUND (DEF) by SZAMOSI,AMADEA	18:40			
GOOD! 3PTR by ROBINSON,APRIL	18:34	35-26	H 9	
ASSIST by NURKIC,BELMA	18:34			
	18:16			MISSED JUMPER by MCDONALD,BRE
REBOUND (DEF) by TEAM	18:16			
MISSED JUMPER by JOHNSON,JOSE-ANN	17:58			
REBOUND (OFF) by TEAM	17:58			
MISSED JUMPER by NURKIC,BELMA	17:52			
	17:52			REBOUND (DEF) by FIELDS,AVEREE
	17:32	37-26	H 11	GOOD! LAYUP by FIELDS,AVEREE
	17:32			ASSIST by STEPNEY,LINDA
FOUL by JOHNSON,JOSE-ANN	17:32			
	17:32	38-26	H 12	GOOD! FT by FIELDS,AVEREE
SUB IN: KING,STASIA	17:32			
SUB OUT: JOHNSON,JOSE-ANN	17:32			
	17:32			SUB IN: MULDROW,TEANA
	17:32			SUB OUT: MCDONALD,BRE
TURNOVER by NURKIC,BELMA	17:05			
	16:48	40-26	H 14	GOOD! JUMPER by FIELDS,AVEREE
	16:48			ASSIST by STEPNEY,LINDA
MISSED 3PTR by ROBINSON,APRIL	16:32			
REBOUND (OFF) by NURKIC,BELMA	16:32			
MISSED 3PTR by NURKIC,BELMA	16:27			
	16:27			REBOUND (DEF) by TEAM
FOUL by KING,STASIA	16:09			
	16:07	42-26	H 16	GOOD! LAYUP by FIELDS,AVEREE
	16:07			ASSIST by STEPNEY,LINDA
TURNOVER by BRESNAHAN,OLIVIA	15:45			
	15:43			STEAL by FIELDS,AVEREE
	15:38			TURNOVER by STEPNEY,LINDA
STEAL by NURKIC,BELMA	15:37			
GOOD! LAYUP by NURKIC,BELMA	15:34	42-28	H 14	
	15:14			MISSED JUMPER by MULDROW,TEANA
	15:14			REBOUND (OFF) by MULDROW,TEANA
	15:12			MISSED JUMPER by MULDROW,TEANA
	15:12			REBOUND (OFF) by FIELDS,AVEREE
	14:54			FOUL by FIELDS,AVEREE
	14:54			TURNOVER by MULDROW,TEANA
TIMEOUT MEDIA	14:54			
STEAL by NURKIC,BELMA	14:54			
SUB IN: WORKMAN,DEVA'NYAR	14:54			
SUB OUT: BRESNAHAN,OLIVIA	14:54			
FOUL by KING,STASIA	14:39			
TURNOVER by KING,STASIA	14:39			
	14:20	45-28	H 17	GOOD! 3PTR by MULDROW,TEANA
	14:20			ASSIST by STEPNEY,LINDA
	14:08			FOUL by MONTGOMERY,LANAY
MISSED FT by WORKMAN,DEVA'NYAR	14:08			
REBOUND (DEADB) by TEAM	14:08			
MISSED FT by WORKMAN,DEVA'NYAR	14:08			
REBOUND (OFF) by NURKIC,BELMA	14:08			
	14:08			SUB IN: LEARY,CRYSTAL
	14:08			SUB OUT: MONTGOMERY,LANAY
MISSED JUMPER by NURKIC,BELMA	14:07			
	14:07			REBOUND (DEF) by FIELDS,AVEREE
	14:01			MISSED 3PTR by MULDROW,TEANA
	14:01			REBOUND (OFF) by FIELDS,AVEREE
	13:40			MISSED JUMPER by HOLMES,BRIA
REBOUND (DEF) by KING,STASIA	13:40			
MISSED JUMPER by NURKIC,BELMA	13:34			
	13:34			REBOUND (DEF) by TEAM
FOUL by KING,STASIA	13:14			
	13:14			MISSED FT by FIELDS,AVEREE
	13:14			REBOUND (DEADB) by TEAM

	13:14				MISSED FT by FIELDS,AVEREE
REBOUND (DEF) by JOHNSON,JOSE-ANN	13:14				
SUB IN: BRESNAHAN,OLIVIA	13:14				
SUB IN: JOHNSON,JOSE-ANN	13:14				
SUB OUT: ROBINSON,APRIL	13:14				
SUB OUT: KING,STASIA	13:14				
TURNOVER by WORKMAN,DEVA'NYAR	12:59				
	12:59				STEAL by FIELDS,AVEREE
	12:33				MISSED JUMPER by LEARY,CRYSTAL
	12:33				REBOUND (OFF) by LEARY,CRYSTAL
	12:13	47-28	H 19		GOOD! LAYUP by MULDROW,TEANA
	12:13				ASSIST by FIELDS,AVEREE
GOOD! LAYUP by WORKMAN,DEVA'NYAR	12:06	47-30	H 17		
	11:42	49-30	H 19		GOOD! JUMPER by HOLMES,BRIA
TIMEOUT MEDIA	11:33				
	11:33				SUB IN: MORTON,JESSICA
	11:33				SUB OUT: MULDROW,TEANA
TURNOVER by BRESNAHAN,OLIVIA	11:32				
	11:31				STEAL by HOLMES,BRIA
FOUL by NURKIC,BELMA	11:31				
	11:31				MISSED FT by HOLMES,BRIA
	11:31				REBOUND (DEADB) by TEAM
	11:31	50-30	H 20		GOOD! FT by HOLMES,BRIA
TURNOVER by NURKIC,BELMA	11:31				
	11:20	52-30	H 22		GOOD! JUMPER by FIELDS,AVEREE
	11:20				ASSIST by MORTON,JESSICA
	11:02				FOUL by STEPNEY,LINDA
GOOD! FT by SZAMOSI,AMADEA	11:02	52-31	H 21		
GOOD! FT by SZAMOSI,AMADEA	11:02	52-32	H 20		
	11:02				SUB IN: MONTGOMERY,LANAY
	11:02				SUB IN: MCDONALD,BRE
	11:02				SUB OUT: LEARY,CRYSTAL
	11:02				SUB OUT: STEPNEY,LINDA
FOUL by BRESNAHAN,OLIVIA	10:40				
	10:28				MISSED JUMPER by HOLMES,BRIA
	10:28				REBOUND (OFF) by HOLMES,BRIA
	10:23				MISSED JUMPER by HOLMES,BRIA
REBOUND (DEF) by WORKMAN,DEVA'NYAR	10:23				
	10:23				FOUL by MCDONALD,BRE
MISSED 3PTR by WORKMAN,DEVA'NYAR	10:14				
	10:14				REBOUND (DEF) by HOLMES,BRIA
	10:07				FOUL by MONTGOMERY,LANAY
SUB IN: ROBINSON,APRIL	10:07				
SUB OUT: WORKMAN,DEVA'NYAR	10:07				
	10:07				SUB IN: LEARY,CRYSTAL
	10:07				SUB IN: STEPNEY,LINDA
	10:07				SUB OUT: MORTON,JESSICA
	10:07				SUB OUT: MONTGOMERY,LANAY
	10:04				MISSED 3PTR by HOLMES,BRIA
REBOUND (DEF) by JOHNSON,JOSE-ANN	10:04				
	09:44				FOUL by LEARY,CRYSTAL
	09:39				FOUL by STEPNEY,LINDA
GOOD! FT by ROBINSON,APRIL	09:39	52-33	H 19		
GOOD! FT by ROBINSON,APRIL	09:39	52-34	H 18		
FOUL by JOHNSON,JOSE-ANN	09:23				
	09:23				MISSED FT by HOLMES,BRIA
	09:23				REBOUND (DEADB) by TEAM
	09:23				MISSED FT by HOLMES,BRIA
REBOUND (DEF) by SZAMOSI,AMADEA	09:23				
SUB IN: KING,STASIA	09:23				
SUB OUT: JOHNSON,JOSE-ANN	09:23				
GOOD! LAYUP by BRESNAHAN,OLIVIA	09:05	52-36	H 16		
	08:56				TIMEOUT 30SEC
	08:56				SUB IN: MULDROW,TEANA
	08:56				SUB OUT: MCDONALD,BRE
FOUL by NURKIC,BELMA	08:36				
	08:36	53-36	H 17		GOOD! FT by FIELDS,AVEREE
	08:36				MISSED FT by FIELDS,AVEREE
REBOUND (DEF) by NURKIC,BELMA	08:36				
MISSED LAYUP by SZAMOSI,AMADEA	08:27				
	08:27				REBOUND (DEF) by LEARY,CRYSTAL
	08:18				MISSED 3PTR by MULDROW,TEANA
	08:18				REBOUND (OFF) by LEARY,CRYSTAL
	08:02				MISSED JUMPER by MULDROW,TEANA
REBOUND (DEF) by BRESNAHAN,OLIVIA	08:02				
GOOD! JUMPER by ROBINSON,APRIL	07:54	53-38	H 15		
ASSIST by NURKIC,BELMA	07:54				
	07:24	56-38	H 18		GOOD! 3PTR by MULDROW,TEANA
	07:24				ASSIST by HOLMES,BRIA
MISSED JUMPER by ROBINSON,APRIL	06:57				
	06:57				REBOUND (DEF) by FIELDS,AVEREE
	06:39				TURNOVER by HOLMES,BRIA
STEAL by BRESNAHAN,OLIVIA	06:37				

MISSED LAYUP by SZAMOSI, AMADEA	06:32			
	06:32			REBOUND (DEF) by HOLMES, BRIA
	06:14			MISSED LAYUP by HOLMES, BRIA
	06:14			REBOUND (OFF) by HOLMES, BRIA
FOUL by ROBINSON, APRIL	06:10			
	06:10			TIMEOUT MEDIA
	06:10			MISSED FT by HOLMES, BRIA
	06:10			REBOUND (DEADB) by TEAM
	06:10	57-38	H 19	GOOD! FT by HOLMES, BRIA
SUB IN: JOHNSON, JOSE-ANN	06:10			
SUB OUT: KING, STASIA	06:10			
SUB OUT: SZAMOSI, AMADEA	06:10			
MISSED JUMPER by NURKIC, BELMA	05:59			
	05:59			REBOUND (DEF) by MULDRON, TEANA
	05:43			MISSED JUMPER by FIELDS, AVEREE
	05:43			REBOUND (OFF) by FIELDS, AVEREE
	05:34			MISSED JUMPER by HOLMES, BRIA
REBOUND (DEF) by BRESNAHAN, OLIVIA	05:34			
MISSED JUMPER by ROBINSON, APRIL	05:11			
	05:11			REBOUND (DEF) by LEARY, CRYSTAL
FOUL by BRESNAHAN, OLIVIA	04:40			
	04:40	58-38	H 20	GOOD! FT by HOLMES, BRIA
	04:40			MISSED FT by HOLMES, BRIA
	04:40			REBOUND (OFF) by LEARY, CRYSTAL
	04:18			MISSED JUMPER by HOLMES, BRIA
	04:18			REBOUND (OFF) by TEAM
	04:06			TURNOVER by HOLMES, BRIA
STEAL by JOHNSON, JOSE-ANN	04:05			
MISSED 3PTR by ROBINSON, APRIL	03:51			
	03:51			REBOUND (DEF) by STEPNEY, LINDA
	03:31			MISSED JUMPER by HOLMES, BRIA
	03:31			REBOUND (OFF) by MULDRON, TEANA
	03:28			MISSED JUMPER by MULDRON, TEANA
REBOUND (DEF) by BRESNAHAN, OLIVIA	03:28			
	03:24			FOUL by FIELDS, AVEREE
TIMEOUT MEDIA	03:24			
MISSED FT by BRESNAHAN, OLIVIA	03:24			
REBOUND (DEADB) by TEAM	03:24			
GOOD! FT by BRESNAHAN, OLIVIA	03:24	58-39	H 19	
	03:24			SUB IN: MORTON, JESSICA
	03:24			SUB OUT: MULDRON, TEANA
	02:54			MISSED JUMPER by STEPNEY, LINDA
REBOUND (DEF) by ROBINSON, APRIL	02:54			
MISSED JUMPER by KING, STASIA	02:38			
	02:38			REBOUND (DEF) by HOLMES, BRIA
	02:08			MISSED JUMPER by FIELDS, AVEREE
REBOUND (DEF) by NURKIC, BELMA	02:08			
MISSED LAYUP by NURKIC, BELMA	01:58			
	01:58			REBOUND (DEF) by STEPNEY, LINDA
	01:55			TIMEOUT 30SEC
SUB IN: DULING, KYASIA	01:55			
SUB IN: SZAMOSI, AMADEA	01:55			
SUB OUT: JOHNSON, JOSE-ANN	01:55			
	01:55			SUB IN: MULDRON, TEANA
	01:55			SUB IN: MONTGOMERY, KAYLA
	01:55			SUB IN: MCDONALD, BRE
	01:55			SUB IN: MONTGOMERY, LANAY
	01:55			SUB OUT: FIELDS, AVEREE
	01:55			SUB OUT: LEARY, CRYSTAL
	01:55			SUB OUT: STEPNEY, LINDA
	01:55			SUB OUT: HOLMES, BRIA
	01:25			MISSED JUMPER by MCDONALD, BRE
	01:25			REBOUND (OFF) by MORTON, JESSICA
	01:05			MISSED JUMPER by MORTON, JESSICA
REBOUND (DEF) by DULING, KYASIA	01:05			
MISSED JUMPER by BRESNAHAN, OLIVIA	00:46			
	00:46			REBOUND (DEF) by MONTGOMERY, LANAY
FOUL by ROBINSON, APRIL	00:40			
	00:40	59-39	H 20	GOOD! FT by MORTON, JESSICA
	00:40	60-39	H 21	GOOD! FT by MORTON, JESSICA
SUB IN: GRONAS, EMILIE	00:40			
SUB IN: SUTTON, TANESHA	00:40			
SUB OUT: BRESNAHAN, OLIVIA	00:40			
SUB OUT: NURKIC, BELMA	00:40			
MISSED JUMPER by SZAMOSI, AMADEA	00:24			
	00:24			REBOUND (DEF) by MCDONALD, BRE

Duquesne 39, West Virginia 60

Period 2-only	in Paint	OTT T/O	2nd Chance	Fast Break	Bench	
Duquesne	6	4	0	2	2	Score tied - 0 times
West Virginia	6	10	3	0	10	Lead changed - 0 times

Duquesne vs West Virginia

3/26/2015; 7:00 p.m. at WVU Coliseum, Morgantown, W.Va.

Scoring/Runs Reference

Period 1		Period 2	
Duquesne	Score	Duquesne	Score
19:39 - NURKIC TURN	TO	19:48 - JOHNSON JUMPER	X
18:49 - ROBINSON LAYUP	X	TO	MONTGOMERY TURN - 19:45
18:29 - SZAMOSI LAYUP	2 ^P 2-0 2	19:43 - ROBINSON JUMPER	2 23-35 12
17:36 - JOHNSON JUMPER	X	19:03 - NURKIC TURN	TO
17:17 - SZAMOSI LAYUP	X	18:34 - ROBINSON 3PTR	3 26-35 9
17:14 - JOHNSON JUMPER	2 ^P 4-3 -1	17:58 - JOHNSON JUMPER	X
	X	17:52 - NURKIC JUMPER	X
16:45 - JOHNSON TURN	TO		26-37 11 2 ^P
16:09 - NURKIC 3PTR	X		26-38 12 1
15:33 - JOHNSON JUMPER	X	17:05 - NURKIC TURN	TO
14:52 - ROBINSON 3PTR	X	16:32 - ROBINSON 3PTR	X
14:26 - JOHNSON TURN	TO	16:27 - NURKIC 3PTR	X
13:55 - WORKMAN 3PTR	X		26-42 16 2 ^P
13:10 - ROBINSON JUMPER	2 6-10 4	15:45 - BRESNAHAN TURN	TO
12:34 - KING JUMPER	X	15:34 - NURKIC LAYUP	2 ^P 28-42 14
12:18 - BRESNAHAN FT	1 7-13 6		X
12:18 - BRESNAHAN FT	X		X
11:40 - JOHNSON JUMPER	X	14:39 - KING TURN	TO
11:18 - NURKIC JUMPER	2 ^P 9-16 7		28-45 17 3
10:44 - NURKIC 3PTR	3 12-18 6	14:08 - WORKMAN FT	X
10:10 - BRESNAHAN FT	1 13-18 5	14:08 - WORKMAN FT	X
10:10 - BRESNAHAN FT	X	14:07 - NURKIC JUMPER	X
09:33 - WORKMAN JUMPER	X		X
09:08 - JOHNSON LAYUP	X	13:34 - NURKIC JUMPER	X
09:02 - BRESNAHAN JUMPER	2 15-20 5		X
08:35 - KING TURN	TO		X
	X	12:59 - WORKMAN TURN	TO
	X		X
	X		X
	X	12:06 - WORKMAN LAYUP	2 ^{PF} 28-47 19 2 ^P
	X		30-47 17
	X		30-49 19 2
	X	11:32 - BRESNAHAN TURN	TO
	X		X
	X		X
	X	11:31 - NURKIC TURN	TO
	X		30-50 20 1
	X		30-52 22 2
	X	11:02 - SZAMOSI FT	1 31-52 21
	X	11:02 - SZAMOSI FT	1 32-52 20
	X		X
	X		X
	X	10:14 - WORKMAN 3PTR	X
	X		X
	X		X
	X		X

07:53 - NURKIC JUMPER	X	15-22 7	2 ^P	MULDROW LAYUP - 08:14
			X	MULDROW 3PTR - 07:40
07:32 - ROBINSON 3PTR	X			
			X	MCDONALD JUMPER - 07:22
		15-25 10	3	MULDROW 3PTR - 07:04
06:22 - JOHNSON LAYUP	X			
			X	HOLMES JUMPER - 06:13
05:36 - BRESNAHAN 3PTR	X			
05:31 - NURKIC 3PTR	X			
05:30 - JOHNSON FT	X			
05:30 - JOHNSON FT	1	16-25 9		
			X	STEPNEY JUMPER - 05:19
		16-27 11	2 ^P	MULDROW LAYUP - 05:13
04:54 - ROBINSON 3PTR	3	19-27 8		
		19-29 10	2 ^P	MONTGOMERY LAYUP - 04:41
			X	MONTGOMERY FT - 04:41
04:19 - SZAMOSI LAYUP	2 ^P	21-29 8		
			X	MORTON JUMPER - 04:06
03:53 - JOHNSON TURN	TO			
			X	HOLMES 3PTR - 03:22
			X	HOLMES JUMPER - 03:08
			X	STEPNEY LAYUP - 02:50
02:37 - JOHNSON TURN	TO			
		21-31 10	2 ^P	FIELDS JUMPER - 02:24
02:05 - JOHNSON TURN	TO			
				MONTGOMERY TURN - 01:42
01:22 - ROBINSON JUMPER	X			
			X	MORTON 3PTR - 01:14
00:46 - NURKIC 3PTR	X			
		21-33 12	2 ^P	FIELDS LAYUP - 00:29
00:15 - BRESNAHAN JUMPER	X			
		21-35 14	2 ^{PF}	HOLMES JUMPER - 00:05

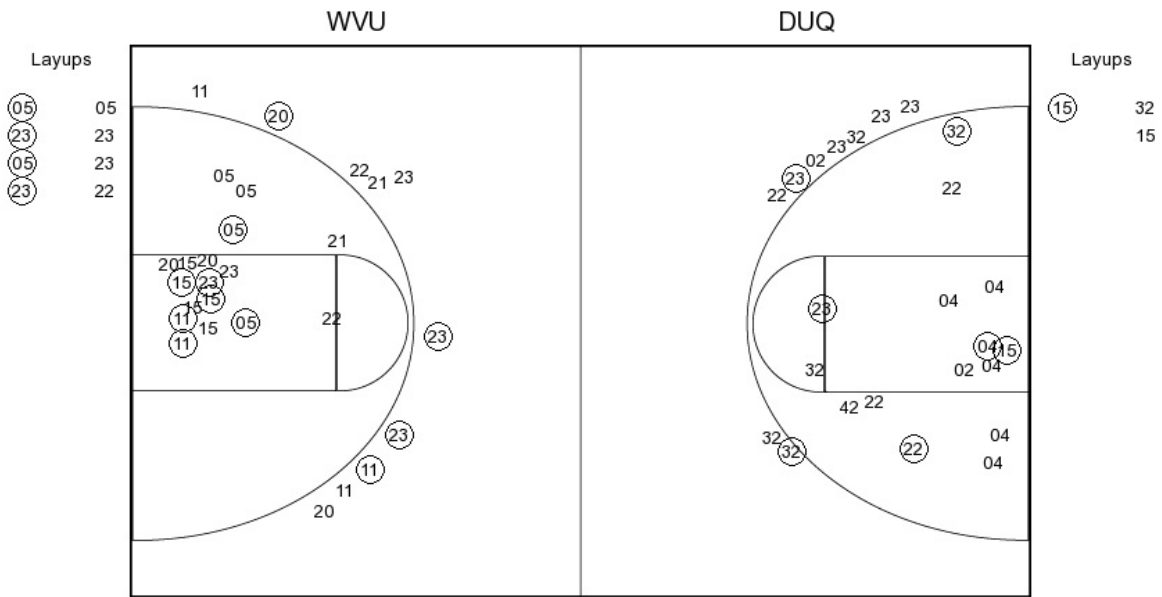
09:39 - ROBINSON FT	1	33-52 19		
09:39 - ROBINSON FT	1	34-52 18		
			X	HOLMES FT - 09:23
			X	HOLMES FT - 09:23
09:05 - BRESNAHAN LAYUP	2 ^P	36-52 16		
		36-53 17	1	FIELDS FT - 08:36
			X	FIELDS FT - 08:36
08:27 - SZAMOSI LAYUP	X			
			X	MULDROW 3PTR - 08:18
			X	MULDROW JUMPER - 08:02
07:54 - ROBINSON JUMPER	2	38-53 15		
		38-56 18	3	MULDROW 3PTR - 07:24
06:57 - ROBINSON JUMPER	X			
			TO	HOLMES TURN - 06:39
06:32 - SZAMOSI LAYUP	X			
			X	HOLMES LAYUP - 06:14
			X	HOLMES FT - 06:10
		38-57 19	1	HOLMES FT - 06:10
05:59 - NURKIC JUMPER	X			
			X	FIELDS JUMPER - 05:43
			X	HOLMES JUMPER - 05:34
05:11 - ROBINSON JUMPER	X			
		38-58 20	1	HOLMES FT - 04:40
			X	HOLMES FT - 04:40
			X	HOLMES JUMPER - 04:18
			TO	HOLMES TURN - 04:06
03:51 - ROBINSON 3PTR	X			
			X	HOLMES JUMPER - 03:31
			X	MULDROW JUMPER - 03:28
03:24 - BRESNAHAN FT	X			
03:24 - BRESNAHAN FT	1	39-58 19		
			X	STEPNEY JUMPER - 02:54
02:38 - KING JUMPER	X			
			X	FIELDS JUMPER - 02:08
01:58 - NURKIC LAYUP	X			
			X	MCDONALD JUMPER - 01:25
			X	MORTON JUMPER - 01:05
00:46 - BRESNAHAN JUMPER	X			
		39-59 20	1	MORTON FT - 00:40
		39-60 21	1	MORTON FT - 00:40
00:24 - SZAMOSI JUMPER	X			

Duquesne vs West Virginia

OFFICIAL SHOT CHART

3/26/2015 at WVU Coliseum, Morgantown, W.Va.

PERIOD 1



DUQ PERIOD 1

FG Made	8
FG Attempted	27
3PFG Made	2
3PFG Attempted	9

WVU PERIOD 1

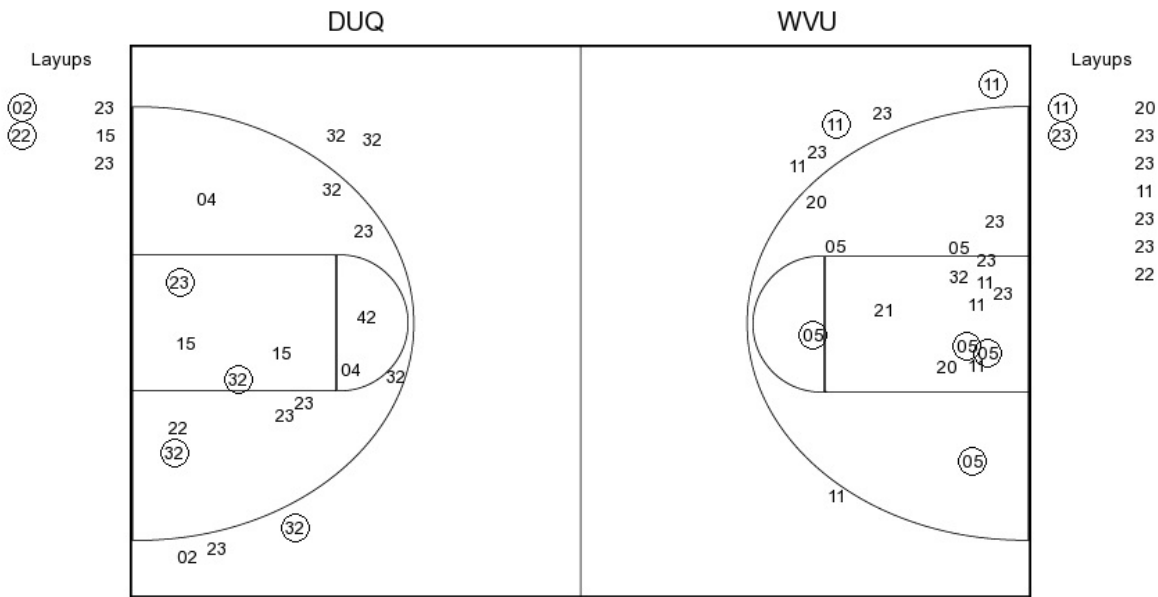
FG Made	15
FG Attempted	35
3PFG Made	4
3PFG Attempted	10

Duquesne vs West Virginia

OFFICIAL SHOT CHART

3/26/2015 at WVU Coliseum, Morgantown, W.Va.

PERIOD 2



DUQ PERIOD 2

FG Made	6
FG Attempted	24
3PFG Made	1
3PFG Attempted	5

WVU PERIOD 2

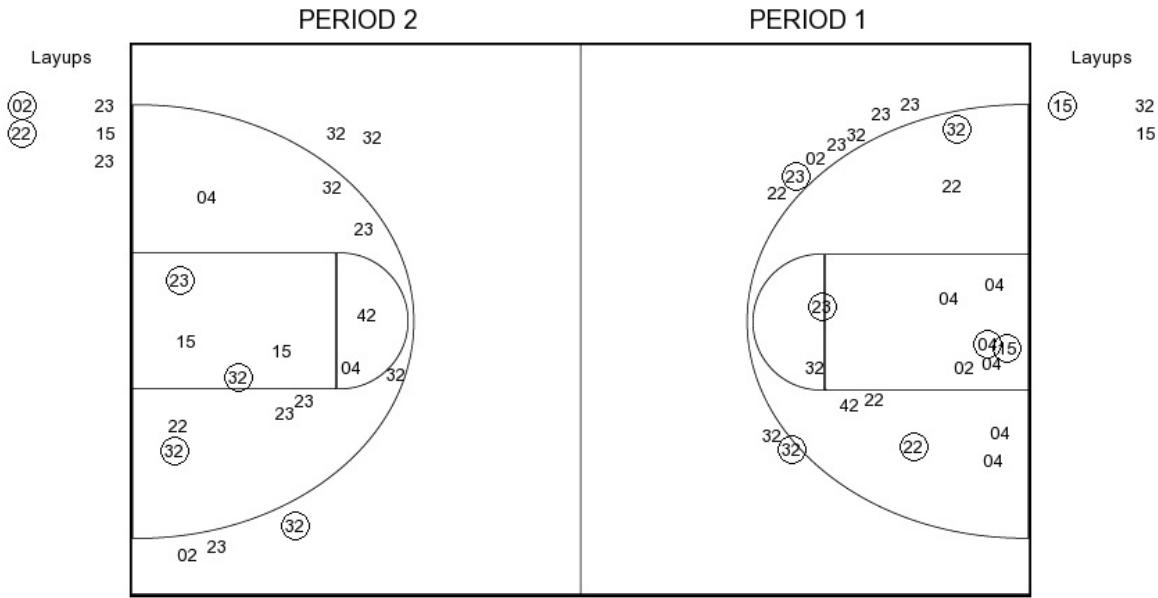
FG Made	8
FG Attempted	31
3PFG Made	2
3PFG Attempted	6

Duquesne vs West Virginia

OFFICIAL SHOT CHART

3/26/2015 at WVU Coliseum, Morgantown, W.Va.

Duquesne



DUQ PERIOD 1

FG Made	8
FG Attempted	27
3PFG Made	2
3PFG Attempted	9

DUQ PERIOD 2

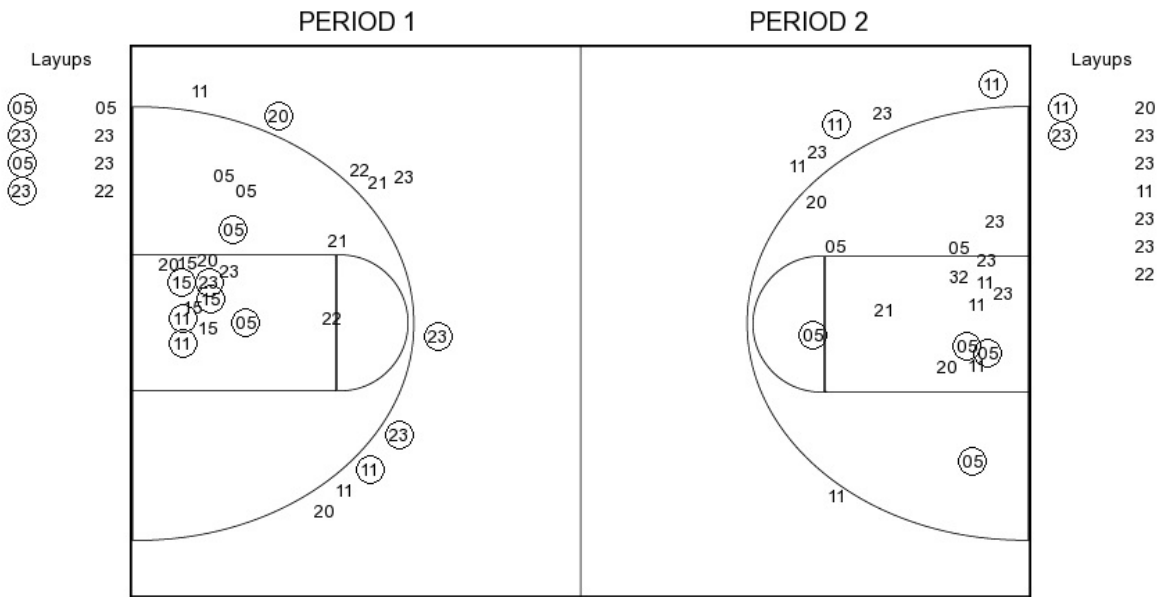
FG Made	6
FG Attempted	24
3PFG Made	1
3PFG Attempted	5

Duquesne vs West Virginia

OFFICIAL SHOT CHART

3/26/2015 at WVU Coliseum, Morgantown, W.Va.

West Virginia



WVU PERIOD 1

FG Made	15
FG Attempted	35
3PFG Made	4
3PFG Attempted	10

WVU PERIOD 2

FG Made	8
FG Attempted	31
3PFG Made	2
3PFG Attempted	6