

## FINAL SCORE



**UTEP**

**40**



**Arizona**

**62**

December 18, 2018 • McKale Center (Lute & Bobbi Olson Court) - Tucson, Ariz.

## FINAL STATISTICS

**Official Box Score**  
**UTEP vs Arizona**  
**Game Totals -- Final Statistics**  
**December 18, 2018 at McKale Center (Lute & Bobbi Olson Court) - Tucson, Ariz.**



**UTEP 40**

No.	Player	S	Pts	FG	3FG	FT	OR	DR	TR	PF	A	TO	Blk	Stl	Min	+/-
00	JENKINS, JORDAN		0	0-2	0-2	0-0	0	2	2	0	2	1	0	0	26	-17
03	ALEXANDER, JORDAN		10	3-7	2-5	2-5	1	6	7	1	4	4	1	1	35	-24
05	PUC, ZUZANNA		4	2-5	0-0	0-0	0	3	3	2	1	3	2	0	30	-32
12	GILL, ARIONA		11	4-10	1-2	2-4	1	5	6	5	1	4	0	0	25	-15
44	ZEC, KATARINA		2	1-2	0-0	0-0	0	4	4	1	0	3	0	1	17	-11
04	OCUANE, NEIDY		0	0-2	0-1	0-0	0	0	0	0	1	0	0	0	14	-5
10	ROCHELLE, JADE		0	0-3	0-0	0-0	3	4	7	1	1	3	0	0	17	1
13	LIPE, SABINE		5	2-3	0-0	1-1	0	0	0	2	0	1	0	0	12	2
23	HOY, ALEXA		0	0-1	0-0	0-0	1	0	1	0	0	3	0	0	10	-9
25	TAYLOR, ARIANA		8	3-6	0-1	2-3	1	3	4	1	0	1	0	0	14	0
TEAM							0	2	2	0		0				
<b>TOTALS</b>		<b>40</b>	<b>15-41</b>	<b>3-11</b>	<b>7-13</b>	<b>7</b>	<b>29</b>	<b>36</b>	<b>13</b>	<b>10</b>	<b>23</b>	<b>3</b>	<b>2</b>	<b>200</b>		

*Shooting By Period*

Period	FG	FG%	3FG	3FG%	FT	FT%
1st Qtr	3-8	38%	0-1	00%	2-3	67%
2nd Qtr	3-8	38%	1-5	20%	2-4	50%
3rd Qtr	3-13	23%	0-0	0%	0-0	0%
4th Qtr	6-12	50%	2-5	40%	3-6	50%
1st Half	6-16	38%	1-6	17%	4-7	57%
2nd Half	9-25	36%	2-5	40%	3-6	50%
<b>Game</b>	<b>15-41</b>	<b>36.6%</b>	<b>3-11</b>	<b>27.3%</b>	<b>7-13</b>	<b>53.8%</b>

*Last FG: 4th-01:38*  
*Biggest Run: 12-0*  
*Largest lead: By 0 at 1-08:58*  
*Technical Fouls: None.*

**Arizona 62**

No.	Player	S	Pts	FG	3FG	FT	OR	DR	TR	PF	A	TO	Blk	Stl	Min	+/-
02	MCDONALD, AARI		15	6-15	1-7	2-5	2	3	5	1	9	1	0	1	35	14
04	ALONSO, LUCIA		13	5-7	3-4	0-0	0	1	1	1	4	0	0	1	28	35
14	THOMAS, SAM		14	5-10	4-7	0-0	2	2	4	0	3	0	1	4	27	30
20	MCBRYDE, DOMINIQUE		10	5-7	0-0	0-0	1	2	3	3	0	1	1	1	20	20
25	REESE, CATE		6	3-7	0-0	0-0	0	6	6	3	1	2	0	0	27	8
10	STARKS, TEE TEE		0	0-5	0-3	0-2	1	1	2	1	0	1	0	1	17	-5
21	GRAHAM, DESTINY		2	0-2	0-0	2-2	1	1	2	2	0	1	0	1	17	16
22	MALECHA, LINDSEY		0	0-1	0-1	0-0	0	0	0	1	0	0	0	0	2	0
24	NIXON, BRYCE		0	0-4	0-4	0-0	0	0	0	3	3	2	0	4	13	-8
34	SMITH, SEMAJ		2	1-3	0-0	0-0	3	3	6	2	0	1	0	0	13	0
TEAM							0	2	2	0		0				
<b>TOTALS</b>		<b>62</b>	<b>25-61</b>	<b>8-26</b>	<b>4-9</b>	<b>10</b>	<b>21</b>	<b>31</b>	<b>17</b>	<b>20</b>	<b>9</b>	<b>2</b>	<b>13</b>	<b>200</b>		

*Shooting By Period*

Period	FG	FG%	3FG	3FG%	FT	FT%
1st Qtr	7-16	44%	1-4	25%	0-2	00%
2nd Qtr	8-15	53%	6-11	55%	1-1	100%
3rd Qtr	5-15	33%	0-4	00%	2-2	100%
4th Qtr	5-15	33%	1-7	14%	1-4	25%
1st Half	15-31	48%	7-15	47%	1-3	33%
2nd Half	10-30	33%	1-11	09%	3-6	50%
<b>Game</b>	<b>25-61</b>	<b>41.0%</b>	<b>8-26</b>	<b>30.8%</b>	<b>4-9</b>	<b>44.4%</b>

*Last FG: 4th-05:40*  
*Biggest Run: 9-0*  
*Largest lead: By 34 at 4-05:40*  
*Technical Fouls: None.*

Game Notes:

Officials: Penny Davis, Julie Krommenhoek, Teresa Turner  
 Attendance: 1076

Start Time: 2018-12-18 01:30:56  
 End Time: 2018-12-18 03:03:50  
 Game Duration: 92

Score	1st	2nd	3rd	4th	TOT
UTE	8	9	6	17	<b>40</b>
ARI	15	23	12	12	<b>62</b>

UTE led for 0:00. ARI led for 38:16.  
 Game was tied for 1:45.  
 Times tied: 2      Lead Changes: 0

Points from	UTE	ARI
In the Paint	18	26
Off Turns	5	23
2nd Chance	5	10
Fast Break	6	5
Bench	13	4

**Official Box Score**  
**UTEP vs Arizona**  
**First Half Statistics Only**  
**December 18, 2018 at McKale Center (Lute & Bobbi Olson Court) - Tucson, Ariz.**



**UTEP 17**

No.	Player	S	Pts	FG	3FG	FT	OR	DR	TR	PF	A	TO	Blk	Stl	Min	+/-
00	JENKINS, JORDAN		0	0-1	0-1	0-0	0	0	0	0	1	0	0	0	12	-18
10	ROCHELLE, JADE		0	0-0	0-0	0-0	0	0	0	0	0	2	0	0	2	-4
12	GILL, ARIONA		6	2-5	0-1	2-2	1	2	3	2	0	2	0	0	15	-15
13	LIPE, SABINE		2	1-1	0-0	0-0	0	0	0	1	0	1	0	0	8	-5
23	HOY, ALEXA		0	0-0	0-0	0-0	0	0	0	0	0	1	0	0	5	-11
25	TAYLOR, ARIANA		0	0-0	0-0	0-0	0	0	0	0	0	0	0	0	0	0
44	ZEC, KATARINA		2	1-1	0-0	0-0	0	4	4	1	0	3	0	1	12	-7
03	ALEXANDER, JORDAN		5	1-4	1-3	2-5	1	1	2	1	1	3	0	1	19	-21
04	OCUANE, NEIDY		0	0-1	0-1	0-0	0	0	0	0	1	0	0	0	8	-3
05	PUC, ZUZANNA		2	1-3	0-0	0-0	0	3	3	1	1	2	2	0	20	-21
	TEAM		0	0-0	0-0	0-0	0	1	1	0	0	0	0	0	0	0
<b>TOTALS</b>			<b>17</b>	<b>6-16</b>	<b>1-6</b>	<b>4-7</b>	<b>0</b>	<b>0</b>	<b>13</b>	<b>6</b>	<b>4</b>	<b>14</b>	<b>2</b>	<b>2</b>	<b>100</b>	

*Shooting By Period*

Period	FG	FG%	3FG	3FG%	FT	FT%
1st Qtr	3-8	38%	0-1	00%	2-3	67%
2nd Qtr	3-8	38%	1-5	20%	2-4	50%
1st Half	6-16	38%	1-6	17%	4-7	57%
Game	15-41	36.6%	3-11	27.3%	7-13	53.8%

*Last FG Half: UTE 2nd-01:48*

**Arizona 38**

No.	Player	S	Pts	FG	3FG	FT	OR	DR	TR	PF	A	TO	Blk	Stl	Min	+/-
02	MCDONALD, AARI		12	5-11	1-5	1-3	0	1	1	1	5	1	0	0	18	15
04	ALONSO, LUCIA		13	5-6	3-3	0-0	0	1	1	0	1	0	0	0	17	22
10	STARKS, TEE TEE		0	0-1	0-0	0-0	1	0	1	0	0	1	0	1	6	5
14	THOMAS, SAM		9	3-6	3-4	0-0	2	1	3	0	1	0	0	3	15	19
20	MCBRYDE, DOMINIQUE		2	1-1	0-0	0-0	1	0	1	2	0	1	1	1	10	9
21	GRAHAM, DESTINY		0	0-2	0-0	0-0	0	1	1	1	0	1	0	1	11	14
22	MALECHA, LINDSEY		0	0-1	0-1	0-0	0	0	0	0	0	0	0	0	1	1
24	NIXON, BRYCE		0	0-2	0-2	0-0	0	0	0	0	3	1	0	2	5	2
25	REESE, CATE		2	1-1	0-0	0-0	0	2	2	2	0	1	0	0	11	9
34	SMITH, SEMAJ		0	0-0	0-0	0-0	2	2	4	2	0	1	0	0	6	9
	TEAM		0	0-0	0-0	0-0	0	1	1	0	0	0	0	0	0	0
<b>TOTALS</b>			<b>38</b>	<b>15-31</b>	<b>7-15</b>	<b>1-3</b>	<b>0</b>	<b>0</b>	<b>15</b>	<b>8</b>	<b>10</b>	<b>7</b>	<b>1</b>	<b>8</b>	<b>100</b>	

*Shooting By Period*

Period	FG	FG%	3FG	3FG%	FT	FT%
1st Qtr	7-16	44%	1-4	25%	0-2	00%
2nd Qtr	8-15	53%	6-11	55%	1-1	100%
1st Half	15-31	48%	7-15	47%	1-3	33%
Game	25-61	41.0%	8-26	30.8%	4-9	44.4%

*Last FG Half: ARI 2nd-00:03*

Game Notes:

Officials: Penny Davis, Julie Krommenhoek, Teresa Turner  
 Attendance: 1076

Start Time: 2018-12-18 01:30:56  
 End Time: 2018-12-18 03:03:50  
 Game Duration: 92

Score	1st	2nd	3rd	4th	TOT
UTE	8	9	6	17	<b>40</b>
ARI	15	23	12	12	<b>62</b>

Points from (This Period)	UTE	ARI
In the Paint	8	12
Off Turns	2	15
2nd Chance	0	10
Fast Break	2	5
Bench	2	0

**Official Box Score**  
**UTEP vs Arizona**  
**First Quarter Statistics Only**  
**December 18, 2018 at McKale Center (Lute & Bobbi Olson Court) - Tucson, Ariz.**



**UTEP 8**

No.	Player	S	Pts	FG	3FG	FT	OR	DR	TR	PF	A	TO	Blk	Stl	Min	+/-
00	JENKINS, JORDAN		0	0-0	0-0	0-0	0	0	0	0	0	0	0	0	8	-11
03	ALEXANDER, JORDAN		2	0-2	0-1	2-3	1	0	1	1	1	0	0	1	9	-7
05	PUC, ZUZANNA		0	0-1	0-0	0-0	0	1	1	0	0	2	1	0	10	-7
12	GILL, ARIONA		2	1-3	0-0	0-0	1	1	2	2	0	2	0	0	7	-7
44	ZEC, KATARINA		2	1-1	0-0	0-0	0	4	4	0	0	1	0	0	8	-2
04	OCUANE, NEIDY		0	0-0	0-0	0-0	0	0	0	0	0	0	0	0	2	4
10	ROCHELLE, JADE		0	0-0	0-0	0-0	0	0	0	0	0	2	0	0	2	-4
13	LIPE, SABINE		2	1-1	0-0	0-0	0	0	0	1	0	1	0	0	2	4
23	HOY, ALEXA		0	0-0	0-0	0-0	0	0	0	0	0	0	0	0	2	-5
25	TAYLOR, ARIANA		0	0-0	0-0	0-0	0	0	0	0	0	0	0	0	0	0
TEAM							0	0	0	0		0				
<b>TOTALS</b>			<b>8</b>	<b>3-8</b>	<b>0-1</b>	<b>2-3</b>	<b>0</b>	<b>0</b>	<b>8</b>	<b>4</b>	<b>1</b>	<b>8</b>	<b>1</b>	<b>1</b>	<b>50</b>	

*Shooting By Period*

Period	FG	FG%	3FG	3FG%	FT	FT%
1st Qtr	3-8	38%	0-1	00%	2-3	67%
2nd Qtr	3-8	38%	1-5	20%	2-4	50%
1st Half	3-8	38%	0-1	00%	2-3	67%
1st Half	6-16	38%	1-6	17%	4-7	57%
Game	15-41	36.6%	3-11	27.3%	7-13	53.8%

**Arizona 15**

No.	Player	S	Pts	FG	3FG	FT	OR	DR	TR	PF	A	TO	Blk	Stl	Min	+/-
02	MCDONALD, AARI		4	2-6	0-2	0-2	0	1	1	1	2	1	0	0	10	7
04	ALONSO, LUCIA		4	2-2	0-0	0-0	0	0	0	0	0	0	0	0	7	8
14	THOMAS, SAM		3	1-4	1-2	0-0	2	0	2	0	1	0	0	2	9	10
20	MCBRYDE, DOMINIQUE		2	1-1	0-0	0-0	1	0	1	2	0	1	1	1	9	10
25	REESE, CATE		2	1-1	0-0	0-0	0	1	1	0	0	0	0	0	7	8
10	STARKS, TEE TEE		0	0-1	0-0	0-0	1	0	1	0	0	1	0	0	3	-1
21	GRAHAM, DESTINY		0	0-1	0-0	0-0	0	0	0	0	0	0	0	1	3	-1
22	MALECHA, LINDSEY		0	0-0	0-0	0-0	0	0	0	0	0	0	0	0	0	0
24	NIXON, BRYCE		0	0-0	0-0	0-0	0	0	0	0	0	0	0	0	1	-3
34	SMITH, SEMAJ		0	0-0	0-0	0-0	0	0	0	0	0	0	0	0	1	-3
TEAM							0	1	1	0		0				
<b>TOTALS</b>			<b>15</b>	<b>7-16</b>	<b>1-4</b>	<b>0-2</b>	<b>0</b>	<b>0</b>	<b>7</b>	<b>3</b>	<b>3</b>	<b>3</b>	<b>1</b>	<b>4</b>	<b>50</b>	

*Shooting By Period*

Period	FG	FG%	3FG	3FG%	FT	FT%
1st Qtr	7-16	44%	1-4	25%	0-2	00%
2nd Qtr	8-15	53%	6-11	55%	1-1	100%
1st Half	7-16	44%	1-4	25%	0-2	00%
1st Half	15-31	48%	7-15	47%	1-3	33%
Game	25-61	41.0%	8-26	30.8%	4-9	44.4%

*Game Notes:*

Officials: Penny Davis, Julie Krommenhoek, Teresa Turner  
 Attendance: 1076

Start Time: 2018-12-18 01:30:56  
 End Time: 2018-12-18 03:03:50  
 Game Duration: 92

Score	1st	2nd	3rd	4th	TOT
UTE	8	9	6	17	<b>40</b>
ARI	15	23	12	12	<b>62</b>

Points from (This Period)	UTE	ARI
In the Paint	4	8
Off Turns	2	7
2nd Chance	0	4
Fast Break	2	2
Bench	2	0

**Official Play-By-Play  
UTEP vs Arizona  
First Quarter**

**December 18, 2018 at McKale Center (Lute & Bobbi Olson Court) - Tucson, Ariz.**



**Period 1**

**Starters:**

**UTEP:** 00 JENKINS, JORDAN; 12 GILL, ARIONA; 44 ZEC, KATARINA; 3 ALEXANDER, JORDAN; 5 PUC, ZUZANNA;  
**Arizona:** 2 MCDONALD, AARI; 4 ALONSO, LUCIA; 14 THOMAS, SAM; 20 MCBRYDE, DOMINIQUE; 25 REESE, CATE;

Time	VISITORS: UTEP	Score	Margin	HOME: Arizona
09:34				MISSED 3PTR by MCDONALD, AARI
09:32				REBOUND (OFF) by THOMAS, SAM
09:32	FOUL (PERSONAL) by ALEXANDER, JORDAN			
09:27		2-0	H 2	GOOD! LAYUP by MCDONALD, AARI
08:58	GOOD! JUMPER by ZEC, KATARINA [PNT]	2-2	T	
08:28				MISSED 3PTR by THOMAS, SAM
08:25				REBOUND (OFF) by MCBRYDE, DOMINIQUE
08:06	FOUL (PERSONAL) by GILL, ARIONA			
08:00		4-2	H 2	GOOD! LAYUP by MCDONALD, AARI
07:43	MISSED JUMPER by ALEXANDER, JORDAN			
07:43				BLOCK by MCBRYDE, DOMINIQUE
07:35	REBOUND (OFF) by GILL, ARIONA			
07:32	TURNOVER (LOSTBALL) by GILL, ARIONA			
07:32				STEAL by THOMAS, SAM
07:23				MISSED JUMPER by MCDONALD, AARI
07:18	REBOUND (DEF) by ZEC, KATARINA			
07:05	TURNOVER (LOSTBALL) by PUC, ZUZANNA			
07:05				STEAL by MCBRYDE, DOMINIQUE
06:59		6-2	H 4	GOOD! LAYUP by ALONSO, LUCIA [FB]
06:55				FOUL (PERSONAL) by MCDONALD, AARI
06:39	MISSED JUMPER by GILL, ARIONA			
06:36				REBOUND (DEF) by MCDONALD, AARI
06:24				MISSED LAYUP by THOMAS, SAM
06:21	REBOUND (DEF) by GILL, ARIONA			
06:17	GOOD! LAYUP by GILL, ARIONA [FB]	6-4	H 2	
05:49		8-4	H 4	GOOD! JUMPER by ALONSO, LUCIA
05:19	MISSED LAYUP by GILL, ARIONA			
05:16				REBOUND (DEF) by REESE, CATE
05:11				MISSED JUMPER by MCDONALD, AARI
05:07	REBOUND (DEF) by ZEC, KATARINA			
04:52	MISSED 3PTR by ALEXANDER, JORDAN			
04:52	REBOUND (OFF) by ALEXANDER, JORDAN			
04:49				
04:49	SUB OUT: GILL, ARIONA			
04:49	SUB IN: ROCHELLE, JADE			
04:35	MISSED LAYUP by PUC, ZUZANNA			
04:35				REBOUND (DEF) by TEAM
04:19		10-4	H 6	GOOD! JUMPER by REESE, CATE
04:19				ASSIST by MCDONALD, AARI
04:00	TURNOVER (OTHER) by ZEC, KATARINA			
04:00	SUB OUT: ZEC, KATARINA			
04:00	SUB IN: HOY, ALEXA			
03:48		12-4	H 8	GOOD! LAYUP by MCBRYDE, DOMINIQUE
03:48				ASSIST by THOMAS, SAM
03:32	TURNOVER (LOSTBALL) by ROCHELLE, JADE			
03:25				SUB OUT: REESE, CATE
03:25				SUB IN: STARKS, TEE TEE
03:25				SUB OUT: ALONSO, LUCIA
03:25				SUB IN: GRAHAM, DESTINY
03:25	SUB OUT: ALEXANDER, JORDAN			
03:25	SUB IN: GILL, ARIONA			
03:02				MISSED JUMPER by THOMAS, SAM
02:59				REBOUND (OFF) by THOMAS, SAM
02:53				FOUL (OFF) by MCBRYDE, DOMINIQUE
02:53				TURNOVER (OFFENSIVE) by MCBRYDE, DOMINIQUE
02:39	TURNOVER (BADPASS) by PUC, ZUZANNA			
02:25				TURNOVER (TRAVEL) by STARKS, TEE TEE
02:25	TURNOVER (OTHER) by ROCHELLE, JADE			
02:25	SUB OUT: ROCHELLE, JADE			
02:25	SUB IN: ALEXANDER, JORDAN			
02:09		15-4	H 11	GOOD! 3PTR by THOMAS, SAM
02:09				ASSIST by MCDONALD, AARI
02:00	TURNOVER (BADPASS) by GILL, ARIONA			
02:00				STEAL by THOMAS, SAM
01:56	FOUL (PERSONAL) by GILL, ARIONA			
01:56	SUB OUT: JENKINS, JORDAN			
01:56	SUB IN: OCUANE, NEIDY			
01:56	SUB OUT: HOY, ALEXA			
01:56	SUB IN: ZEC, KATARINA			
01:56	SUB OUT: GILL, ARIONA			

Time	VISITORS: UTEP	Score	Margin	HOME: Arizona
01:56	SUB IN: LIPE, SABINE			
01:56				MISSED FT by MCDONALD, AARI
01:56				REBOUND (OFF) by TEAM
01:56				MISSED FT by MCDONALD, AARI
01:56	REBOUND (DEF) by ZEC, KATARINA			
01:36	TURNOVER (LOSTBALL) by LIPE, SABINE			
01:36				STEAL by GRAHAM, DESTINY
01:36	FOUL (PERSONAL) by LIPE, SABINE			
01:31				MISSED LAYUP by GRAHAM, DESTINY
01:28				REBOUND (OFF) by STARKS, TEE TEE
01:07				MISSED JUMPER by STARKS, TEE TEE
01:07	BLOCK by PUC, ZUZANNA			
01:01	REBOUND (DEF) by PUC, ZUZANNA			
00:45				FOUL (PERSONAL) by MCBRYDE, DOMINIQUE
00:45	MISSED FT by ALEXANDER, JORDAN			
00:45	REBOUND (OFF) by TEAM			
00:45	GOOD! FT by ALEXANDER, JORDAN	15-5	H 10	
00:45				SUB OUT: MCBRYDE, DOMINIQUE
00:45				SUB IN: SMITH, SEMAJ
00:45				SUB OUT: THOMAS, SAM
00:45				SUB IN: NIXON, BRYCE
00:45	GOOD! FT by ALEXANDER, JORDAN	15-6	H 9	
00:38				TURNOVER (LOSTBALL) by MCDONALD, AARI
00:38	STEAL by ALEXANDER, JORDAN			
00:15	GOOD! JUMPER by LIPE, SABINE	15-8	H 7	
00:15	ASSIST by ALEXANDER, JORDAN			
00:01				MISSED 3PTR by MCDONALD, AARI
00:00	REBOUND (DEF) by ZEC, KATARINA			

### UTEP 8, Arizona 15

Points from (This Period)	UTE	ARI
In the Paint	4	8
Off Turns	2	7
2nd Chance	0	4
Fast Break	2	2
Bench	2	0

**Official Box Score**  
**UTEP vs Arizona**  
**Second Quarter Statistics Only**  
**December 18, 2018 at McKale Center (Lute & Bobbi Olson Court) - Tucson, Ariz.**



**UTEP 9**

No.	Player	S	Pts	FG	3FG	FT	OR	DR	TR	PF	A	TO	Blk	Stl	Min	+/-
00	JENKINS, JORDAN		0	0-1	0-1	0-0	0	0	0	0	1	0	0	0	4	-7
03	ALEXANDER, JORDAN		3	1-2	1-2	0-2	0	1	1	0	0	3	0	0	10	-14
05	PUC, ZUZANNA		2	1-2	0-0	0-0	0	2	2	1	1	0	1	0	10	-14
12	GILL, ARIONA		4	1-2	0-1	2-2	0	1	1	0	0	0	0	0	8	-8
44	ZEC, KATARINA		0	0-0	0-0	0-0	0	0	0	1	0	2	0	1	4	-5
04	OCUANE, NEIDY		0	0-1	0-1	0-0	0	0	0	0	1	0	0	0	6	-7
10	ROCHELLE, JADE		0	0-0	0-0	0-0	0	0	0	0	0	0	0	0	0	0
13	LIPE, SABINE		0	0-0	0-0	0-0	0	0	0	0	0	0	0	0	6	-9
23	HOY, ALEXA		0	0-0	0-0	0-0	0	0	0	0	0	1	0	0	3	-6
25	TAYLOR, ARIANA		0	0-0	0-0	0-0	0	0	0	0	0	0	0	0	0	0
	TEAM						0	1	1	0		0				
<b>TOTALS</b>			<b>9</b>	<b>3-8</b>	<b>1-5</b>	<b>2-4</b>	<b>0</b>	<b>0</b>	<b>5</b>	<b>2</b>	<b>3</b>	<b>6</b>	<b>1</b>	<b>1</b>	<b>50</b>	

*Shooting By Period*

Period	FG	FG%	3FG	3FG%	FT	FT%
3rd Qtr	3-13	23%	0-0	0%	0-0	0%
4th Qtr	6-12	50%	2-5	40%	3-6	50%
2nd Half	3-8	38%	1-5	20%	2-4	50%
2nd Half	9-25	36%	2-5	40%	3-6	50%
Game	15-41	36.6%	3-11	27.3%	7-13	53.8%

**Arizona 23**

No.	Player	S	Pts	FG	3FG	FT	OR	DR	TR	PF	A	TO	Blk	Stl	Min	+/-
02	MCDONALD, AARI		8	3-5	1-3	1-1	0	0	0	0	3	0	0	0	8	8
04	ALONSO, LUCIA		9	3-4	3-3	0-0	0	1	1	0	1	0	0	0	10	14
14	THOMAS, SAM		6	2-2	2-2	0-0	0	1	1	0	0	0	0	1	6	9
20	MCBRYDE, DOMINIQUE		0	0-0	0-0	0-0	0	0	0	0	0	0	0	0	1	-1
25	REESE, CATE		0	0-0	0-0	0-0	0	1	1	2	0	1	0	0	4	1
10	STARKS, TEE TEE		0	0-0	0-0	0-0	0	0	0	0	0	0	0	1	3	6
21	GRAHAM, DESTINY		0	0-1	0-0	0-0	0	1	1	1	0	1	0	0	8	15
22	MALECHA, LINDSEY		0	0-1	0-1	0-0	0	0	0	0	0	0	0	0	1	1
24	NIXON, BRYCE		0	0-2	0-2	0-0	0	0	0	0	3	1	0	2	4	5
34	SMITH, SEMAJ		0	0-0	0-0	0-0	2	2	4	2	0	1	0	0	5	12
	TEAM						0	0	0	0		0				
<b>TOTALS</b>			<b>23</b>	<b>8-15</b>	<b>6-11</b>	<b>1-1</b>	<b>0</b>	<b>0</b>	<b>8</b>	<b>5</b>	<b>7</b>	<b>4</b>	<b>0</b>	<b>4</b>	<b>50</b>	

*Shooting By Period*

Period	FG	FG%	3FG	3FG%	FT	FT%
3rd Qtr	5-15	33%	0-4	00%	2-2	100%
4th Qtr	5-15	33%	1-7	14%	1-4	25%
2nd Half	8-15	53%	6-11	55%	1-1	100%
2nd Half	10-30	33%	1-11	09%	3-6	50%
Game	25-61	41.0%	8-26	30.8%	4-9	44.4%

*Game Notes:*

Officials: Penny Davis, Julie Krommenhoek, Teresa Turner  
 Attendance: 1076

Start Time: 2018-12-18 01:30:56  
 End Time: 2018-12-18 03:03:50  
 Game Duration: 92

Score	1st	2nd	3rd	4th	TOT
UTE	8	9	6	17	<b>40</b>
ARI	15	23	12	12	<b>62</b>

Points from (This Period)	UTE	ARI
In the Paint	4	4
Off Turns	0	8
2nd Chance	0	6
Fast Break	0	3
Bench	0	0

**Official Play-By-Play  
UTEP vs Arizona  
Second Quarter**

**December 18, 2018 at McKale Center (Lute & Bobbi Olson Court) - Tucson, Ariz.**



**Period 2**

**Starters:**

**UTEP:** 00 JENKINS, JORDAN; 12 GILL, ARIONA; 44 ZEC, KATARINA; 3 ALEXANDER, JORDAN; 5 PUC, ZUZANNA;  
**Arizona:** 2 MCDONALD, AARI; 4 ALONSO, LUCIA; 14 THOMAS, SAM; 20 MCBRYDE, DOMINIQUE; 25 REESE, CATE;

Time	VISITORS: UTEP	Score	Margin	HOME: Arizona
09:45				MISSED 3PTR by NIXON, BRYCE
09:41				REBOUND (OFF) by SMITH, SEMAJ
09:40		18-8	H 10	GOOD! 3PTR by ALONSO, LUCIA
09:40				ASSIST by NIXON, BRYCE
09:22	MISSED LAYUP by PUC, ZUZANNA			
09:19				REBOUND (DEF) by SMITH, SEMAJ
09:14				FOUL (OFF) by SMITH, SEMAJ
09:14				TURNOVER (OFFENSIVE) by SMITH, SEMAJ
09:14				SUB OUT: GRAHAM, DESTINY
09:14				SUB IN: REESE, CATE
09:00	MISSED 3PTR by OCUANE, NEIDY			
08:57				REBOUND (DEF) by SMITH, SEMAJ
08:52				TURNOVER (OTHER) by REESE, CATE
08:30				FOUL (PERSONAL) by REESE, CATE
08:30	MISSED FT by ALEXANDER, JORDAN			
08:30	REBOUND (OFF) by TEAM			
08:30				SUB OUT: SMITH, SEMAJ
08:30				SUB IN: GRAHAM, DESTINY
08:29	MISSED FT by ALEXANDER, JORDAN			
08:27				REBOUND (DEF) by REESE, CATE
08:11	FOUL (PERSONAL) by PUC, ZUZANNA			
08:01		21-8	H 13	GOOD! 3PTR by ALONSO, LUCIA
08:01				ASSIST by NIXON, BRYCE
07:34	TURNOVER (LOSTBALL) by HOY, ALEXA			
07:34				STEAL by STARKS, TEE TEE
07:30				TURNOVER (TRAVEL) by GRAHAM, DESTINY
07:30				SUB OUT: STARKS, TEE TEE
07:30				SUB IN: MCDONALD, AARI
07:30	SUB OUT: HOY, ALEXA			
07:30	SUB IN: GILL, ARIONA			
07:16	TURNOVER (BADPASS) by ALEXANDER, JORDAN			
07:16				STEAL by NIXON, BRYCE
07:11				TURNOVER (LOSTBALL) by NIXON, BRYCE
07:11	STEAL by ZEC, KATARINA			
07:09	TURNOVER (LOSTBALL) by ZEC, KATARINA			
06:52				MISSED LAYUP by GRAHAM, DESTINY
06:52	BLOCK by PUC, ZUZANNA			
06:52	REBOUND (DEF) by PUC, ZUZANNA			
06:50				FOUL (PERSONAL) by GRAHAM, DESTINY
06:50				SUB OUT: GRAHAM, DESTINY
06:50				SUB IN: MCBRYDE, DOMINIQUE
06:38	GOOD! 3PTR by ALEXANDER, JORDAN	21-11	H 10	
06:38	ASSIST by PUC, ZUZANNA			
06:14				MISSED 3PTR by NIXON, BRYCE
06:10	REBOUND (DEF) by PUC, ZUZANNA			
05:57	TURNOVER (BADPASS) by ZEC, KATARINA			
05:57				STEAL by NIXON, BRYCE
05:54		23-11	H 12	GOOD! LAYUP by MCDONALD, AARI [FB]
05:54				ASSIST by NIXON, BRYCE
05:54	FOUL (PERSONAL) by ZEC, KATARINA			
05:54				SUB OUT: MCBRYDE, DOMINIQUE
05:54				SUB IN: THOMAS, SAM
05:54				SUB OUT: NIXON, BRYCE
05:54				SUB IN: GRAHAM, DESTINY
05:54	SUB OUT: ZEC, KATARINA			
05:54	SUB IN: LIPE, SABINE			
05:54		24-11	H 13	GOOD! FT by MCDONALD, AARI [FB]
05:46	SUB OUT: OCUANE, NEIDY			
05:46	SUB IN: JENKINS, JORDAN			
05:32	GOOD! LAYUP by PUC, ZUZANNA	24-13	H 11	
05:32	ASSIST by JENKINS, JORDAN			
05:20				MISSED 3PTR by MCDONALD, AARI
05:17	REBOUND (DEF) by ALEXANDER, JORDAN			
04:59				FOUL (PERSONAL) by REESE, CATE
04:59				SUB OUT: REESE, CATE
04:59				SUB IN: SMITH, SEMAJ
04:44	MISSED 3PTR by JENKINS, JORDAN			
04:41				REBOUND (DEF) by GRAHAM, DESTINY
04:25				MISSED 3PTR by MCDONALD, AARI



Time	VISITORS: UTEP	Score	Margin	HOME: Arizona
04:22	REBOUND (DEF) by GILL, ARIONA			
04:09	MISSED 3PTR by ALEXANDER, JORDAN			
04:06				REBOUND (DEF) by ALONSO, LUCIA
03:54		27-13	H 14	GOOD! 3PTR by ALONSO, LUCIA
03:54				ASSIST by MCDONALD, AARI
03:38	TURNOVER (DRIBBLING) by ALEXANDER, JORDAN			
03:09				MISSED JUMPER by ALONSO, LUCIA
03:06				REBOUND (OFF) by SMITH, SEMAJ
02:51		30-13	H 17	GOOD! 3PTR by THOMAS, SAM
02:51				ASSIST by MCDONALD, AARI
02:28	MISSED 3PTR by GILL, ARIONA			
02:25				REBOUND (DEF) by THOMAS, SAM
02:12		33-13	H 20	GOOD! 3PTR by THOMAS, SAM
02:12				ASSIST by MCDONALD, AARI
02:10	TIMEOUT 30SEC			
02:10	SUB OUT: JENKINS, JORDAN			
02:10	SUB IN: OCUANE, NEIDY			
01:48	GOOD! LAYUP by GILL, ARIONA	33-15	H 18	
01:48	ASSIST by OCUANE, NEIDY			
01:27		36-15	H 21	GOOD! 3PTR by MCDONALD, AARI
01:27				ASSIST by ALONSO, LUCIA
01:05				FOUL (PERSONAL) by SMITH, SEMAJ
01:05	GOOD! FT by GILL, ARIONA	36-16	H 20	
01:05				SUB OUT: SMITH, SEMAJ
01:05				SUB IN: MALECHA, LINDSEY
01:05	GOOD! FT by GILL, ARIONA	36-17	H 19	
00:50				MISSED 3PTR by MALECHA, LINDSEY
00:47	REBOUND (DEF) by TEAM			
00:25	TURNOVER (BADPASS) by ALEXANDER, JORDAN			
00:25				STEAL by THOMAS, SAM
00:03		38-17	H 21	GOOD! JUMPER by MCDONALD, AARI [PNT]

### UTEP 17, Arizona 38

Points from (This Period)	UTE	ARI
In the Paint	4	4
Off Turns	0	8
2nd Chance	0	6
Fast Break	0	3
Bench	0	0

**Official Box Score**  
**UTEP vs Arizona**  
**Second Half Statistics Only**  
**December 18, 2018 at McKale Center (Lute & Bobbi Olson Court) - Tucson, Ariz.**



**UTEP 23**

No.	Player	S	Pts	FG	3FG	FT	OR	DR	TR	PF	A	TO	Blk	Stl	Min	+/-
00	JENKINS, JORDAN		0	0-1	0-1	0-0	0	2	2	0	1	1	0	0	14	1
10	ROCHELLE, JADE		0	0-3	0-0	0-0	3	4	7	1	1	1	0	0	15	5
12	GILL, ARIONA		5	2-5	1-1	0-2	0	3	3	3	1	2	0	0	10	0
13	LIPE, SABINE		3	1-2	0-0	1-1	0	0	0	1	0	0	0	0	4	7
23	HOY, ALEXA		0	0-1	0-0	0-0	1	0	1	0	0	2	0	0	5	2
25	TAYLOR, ARIANA		8	3-6	0-1	2-3	1	3	4	1	0	1	0	0	14	0
44	ZEC, KATARINA		0	0-1	0-0	0-0	0	0	0	0	0	0	0	0	5	-4
03	ALEXANDER, JORDAN		5	2-3	1-2	0-0	0	5	5	0	3	1	1	0	16	-3
04	OCUANE, NEIDY		0	0-1	0-0	0-0	0	0	0	0	0	0	0	0	6	-2
05	PUC, ZUZANNA		2	1-2	0-0	0-0	0	0	0	1	0	1	0	0	10	-11
	TEAM		0	0-0	0-0	0-0	0	1	1	0	0	0	0	0	0	0
<b>TOTALS</b>			<b>23</b>	<b>9-25</b>	<b>2-5</b>	<b>3-6</b>	<b>0</b>	<b>0</b>	<b>23</b>	<b>7</b>	<b>6</b>	<b>9</b>	<b>1</b>	<b>0</b>	<b>100</b>	

*Shooting By Period*

Period	FG	FG%	3FG	3FG%	FT	FT%
3rd Qtr	3-13	23%	0-0	0%	0-0	0%
4th Qtr	6-12	50%	2-5	40%	3-6	50%
2nd Half	9-25	36%	2-5	40%	3-6	50%
Game	15-41	36.6%	3-11	27.3%	7-13	53.8%

*Last FG Half: UTE 4th-01:38*

**Arizona 24**

No.	Player	S	Pts	FG	3FG	FT	OR	DR	TR	PF	A	TO	Blk	Stl	Min	+/-
02	MCDONALD, AARI		3	1-4	0-2	1-2	2	2	4	0	4	0	0	1	17	-1
04	ALONSO, LUCIA		0	0-1	0-1	0-0	0	0	0	1	3	0	0	1	12	13
10	STARKS, TEE TEE		0	0-4	0-3	0-2	0	1	1	1	0	0	0	0	11	-10
14	THOMAS, SAM		5	2-4	1-3	0-0	0	1	1	0	2	0	1	1	12	11
20	MCBRYDE, DOMINIQUE		8	4-6	0-0	0-0	0	2	2	1	0	0	0	0	10	11
21	GRAHAM, DESTINY		2	0-0	0-0	2-2	1	0	1	1	0	0	0	0	6	2
22	MALECHA, LINDSEY		0	0-0	0-0	0-0	0	0	0	1	0	0	0	0	1	-1
24	NIXON, BRYCE		0	0-2	0-2	0-0	0	0	0	3	0	1	0	2	8	-10
25	REESE, CATE		4	2-6	0-0	0-0	0	4	4	1	1	1	0	0	16	-1
34	SMITH, SEMAJ		2	1-3	0-0	0-0	1	1	2	0	0	0	0	0	7	-9
	TEAM		0	0-0	0-0	0-0	0	1	1	0	0	0	0	0	0	0
<b>TOTALS</b>			<b>24</b>	<b>10-30</b>	<b>1-11</b>	<b>3-6</b>	<b>0</b>	<b>0</b>	<b>16</b>	<b>9</b>	<b>10</b>	<b>2</b>	<b>1</b>	<b>5</b>	<b>100</b>	

*Shooting By Period*

Period	FG	FG%	3FG	3FG%	FT	FT%
3rd Qtr	5-15	33%	0-4	00%	2-2	100%
4th Qtr	5-15	33%	1-7	14%	1-4	25%
2nd Half	10-30	33%	1-11	09%	3-6	50%
Game	25-61	41.0%	8-26	30.8%	4-9	44.4%

*Last FG Half: ARI 4th-05:40*

*Game Notes:*

Officials: Penny Davis, Julie Krommenhoek, Teresa Turner  
 Attendance: 1076

Start Time: 2018-12-18 01:30:56  
 End Time: 2018-12-18 03:03:50  
 Game Duration: 92

Score	1st	2nd	3rd	4th	TOT
UTE	8	9	6	17	<b>40</b>
ARI	15	23	12	12	<b>62</b>

Points from (This Period)	UTE	ARI
In the Paint	10	14
Off Turns	3	8
2nd Chance	5	0
Fast Break	4	0
Bench	11	4

**Official Box Score**  
**UTEP vs Arizona**  
**Third Quarter Statistics Only**  
**December 18, 2018 at McKale Center (Lute & Bobbi Olson Court) - Tucson, Ariz.**



**UTEP 23**

No.	Player	S	Pts	FG	3FG	FT	OR	DR	TR	PF	A	TO	Blk	Stl	Min	+/-
00	JENKINS, JORDAN		0	0-0	0-0	0-0	0	1	1	0	0	0	0	0	4	-4
03	ALEXANDER, JORDAN		2	1-1	0-0	0-0	0	3	3	0	1	0	0	0	8	-4
05	PUC, ZUZANNA		2	1-2	0-0	0-0	0	0	0	1	0	1	0	0	8	-8
12	GILL, ARIONA		0	0-3	0-0	0-0	0	1	1	2	1	0	0	0	4	-4
44	ZEC, KATARINA		0	0-1	0-0	0-0	0	0	0	0	0	0	0	0	5	-4
04	OCUANE, NEIDY		0	0-1	0-0	0-0	0	0	0	0	0	0	0	0	6	-2
10	ROCHELLE, JADE		0	0-2	0-0	0-0	2	2	4	0	0	1	0	0	5	0
13	LIPE, SABINE		0	0-0	0-0	0-0	0	0	0	0	0	0	0	0	0	0
23	HOY, ALEXA		0	0-1	0-0	0-0	1	0	1	0	0	2	0	0	3	-2
25	TAYLOR, ARIANA		2	1-2	0-0	0-0	0	0	0	0	0	0	0	0	6	-2
	TEAM						0	1	1	0		0				
<b>TOTALS</b>			<b>6</b>	<b>3-13</b>	<b>0-0</b>	<b>0-0</b>	<b>0</b>	<b>0</b>	<b>11</b>	<b>3</b>	<b>2</b>	<b>4</b>	<b>0</b>	<b>0</b>	<b>50</b>	

*Shooting By Period*

Period	FG	FG%	3FG	3FG%	FT	FT%
2nd Half	0-0	0%	0-0	0%	0-0	0%
Game	15-41	36.6%	3-11	27.3%	7-13	53.8%

**Arizona 24**

No.	Player	S	Pts	FG	3FG	FT	OR	DR	TR	PF	A	TO	Blk	Stl	Min	+/-
02	MCDONALD, AARI		2	1-2	0-0	0-0	1	1	2	0	2	0	0	0	7	4
04	ALONSO, LUCIA		0	0-1	0-1	0-0	0	0	0	0	1	0	0	1	7	6
14	THOMAS, SAM		2	1-3	0-2	0-0	0	0	0	0	1	0	1	1	7	4
20	MCBRYDE, DOMINIQUE		4	2-3	0-0	0-0	0	2	2	0	0	0	0	0	5	4
25	REESE, CATE		0	0-1	0-0	0-0	0	2	2	0	1	0	0	0	6	4
10	STARKS, TEE TEE		0	0-1	0-0	0-0	0	1	1	1	0	0	0	0	6	2
21	GRAHAM, DESTINY		2	0-0	0-0	2-2	1	0	1	1	0	0	0	0	6	2
22	MALECHA, LINDSEY		0	0-0	0-0	0-0	0	0	0	0	0	0	0	0	0	0
24	NIXON, BRYCE		0	0-1	0-1	0-0	0	0	0	0	0	0	0	0	3	2
34	SMITH, SEMAJ		2	1-3	0-0	0-0	0	0	0	0	0	0	0	0	3	2
	TEAM						0	1	1	0		0				
<b>TOTALS</b>			<b>12</b>	<b>5-15</b>	<b>0-4</b>	<b>2-2</b>	<b>0</b>	<b>0</b>	<b>9</b>	<b>2</b>	<b>5</b>	<b>0</b>	<b>1</b>	<b>2</b>	<b>50</b>	

*Shooting By Period*

Period	FG	FG%	3FG	3FG%	FT	FT%
2nd Half	0-0	0%	0-0	0%	0-0	0%
Game	25-61	41.0%	8-26	30.8%	4-9	44.4%

Game Notes:

Officials: Penny Davis, Julie Krommenhoek, Teresa Turner  
 Attendance: 1076

Start Time: 2018-12-18 01:30:56  
 End Time: 2018-12-18 03:03:50  
 Game Duration: 92

Score	1st	2nd	3rd	4th	TOT
UTE	8	9	6	17	<b>40</b>
ARI	15	23	12	12	<b>62</b>

Points from (This Period)	UTE	ARI
In the Paint	4	6
Off Turns	0	6
2nd Chance	0	0
Fast Break	0	0
Bench	2	4

**Official Play-By-Play  
UTEP vs Arizona  
Third Quarter**

**December 18, 2018 at McKale Center (Lute & Bobbi Olson Court) - Tucson, Ariz.**



**Period 3**

**Starters:**

**UTEP:** 00 JENKINS, JORDAN; 12 GILL, ARIONA; 44 ZEC, KATARINA; 3 ALEXANDER, JORDAN; 5 PUC, ZUZANNA;  
**Arizona:** 2 MCDONALD, AARI; 4 ALONSO, LUCIA; 14 THOMAS, SAM; 20 MCBRYDE, DOMINIQUE; 25 REESE, CATE;

Time	VISITORS: UTEP	Score	Margin	HOME: Arizona
09:45	MISSED LAYUP by GILL, ARIONA			
09:41				REBOUND (DEF) by MCBRYDE, DOMINIQUE
09:26		40-17	H 23	GOOD! JUMPER by MCBRYDE, DOMINIQUE
09:26				ASSIST by MCDONALD, AARI
09:13	TURNOVER (TRAVEL) by PUC, ZUZANNA			
09:02		42-17	H 25	GOOD! JUMPER by MCDONALD, AARI
09:02				ASSIST by ALONSO, LUCIA
08:30	GOOD! LAYUP by ALEXANDER, JORDAN	42-19	H 23	
08:14	FOUL (PERSONAL) by GILL, ARIONA			
08:13		44-19	H 25	GOOD! LAYUP by THOMAS, SAM
08:13				ASSIST by MCDONALD, AARI
08:00	MISSED LAYUP by GILL, ARIONA			
07:57				REBOUND (DEF) by MCBRYDE, DOMINIQUE
07:51				MISSED JUMPER by REESE, CATE
07:47				REBOUND (OFF) by MCDONALD, AARI
07:31				MISSED 3PTR by THOMAS, SAM
07:28	REBOUND (DEF) by JENKINS, JORDAN			
07:00	MISSED JUMPER by ZEC, KATARINA			
06:56				REBOUND (DEF) by REESE, CATE
06:44				MISSED JUMPER by MCBRYDE, DOMINIQUE
06:41	REBOUND (DEF) by GILL, ARIONA			
06:20	GOOD! LAYUP by PUC, ZUZANNA	44-21	H 23	
06:20	ASSIST by GILL, ARIONA			
06:04		46-21	H 25	GOOD! LAYUP by MCBRYDE, DOMINIQUE
06:04				ASSIST by REESE, CATE
05:43	MISSED JUMPER by GILL, ARIONA			
05:42				REBOUND (DEF) by MCDONALD, AARI
05:42	FOUL (PERSONAL) by GILL, ARIONA			
05:42				SUB OUT: REESE, CATE
05:42				SUB IN: GRAHAM, DESTINY
05:42				SUB OUT: ALONSO, LUCIA
05:42				SUB IN: STARKS, TEE TEE
05:42	SUB OUT: JENKINS, JORDAN			
05:42	SUB IN: TAYLOR, ARIANA			
05:42	SUB OUT: PUC, ZUZANNA			
05:42	SUB IN: ROCHELLE, JADE			
05:42	SUB OUT: GILL, ARIONA			
05:42	SUB IN: OCUANE, NEIDY			
05:22				MISSED 3PTR by THOMAS, SAM
05:17	REBOUND (DEF) by ALEXANDER, JORDAN			
04:50	MISSED JUMPER by ROCHELLE, JADE			
04:50				BLOCK by THOMAS, SAM
04:50				REBOUND (DEF) by TEAM
04:48				
04:48				SUB OUT: MCBRYDE, DOMINIQUE
04:48				SUB IN: SMITH, SEMAJ
04:48	SUB OUT: ZEC, KATARINA			
04:48	SUB IN: HOY, ALEXA			
04:34				MISSED JUMPER by SMITH, SEMAJ
04:28	REBOUND (DEF) by ALEXANDER, JORDAN			
04:23	GOOD! JUMPER by TAYLOR, ARIANA	46-23	H 23	
04:23	ASSIST by ALEXANDER, JORDAN			
04:07				MISSED LAYUP by SMITH, SEMAJ
04:04	REBOUND (DEF) by ALEXANDER, JORDAN			
03:56	TURNOVER (LOSTBALL) by ROCHELLE, JADE			
03:56				STEAL by THOMAS, SAM
03:56	SUB OUT: ROCHELLE, JADE			
03:56	SUB IN: PUC, ZUZANNA			
03:41				MISSED LAYUP by MCDONALD, AARI
03:41	REBOUND (DEF) by TEAM			
03:40				FOUL (PERSONAL) by GRAHAM, DESTINY
03:36	TURNOVER (BADPASS) by HOY, ALEXA			
03:21		48-23	H 25	GOOD! JUMPER by SMITH, SEMAJ
03:21				ASSIST by THOMAS, SAM
02:53	SUB OUT: ALEXANDER, JORDAN			
02:53	SUB IN: ROCHELLE, JADE			
02:53				SUB OUT: MCDONALD, AARI
02:53				SUB IN: ALONSO, LUCIA
02:53				SUB OUT: THOMAS, SAM
02:53				SUB IN: NIXON, BRYCE

Time	VISITORS: UTEP	Score	Margin	HOME: Arizona
02:47	MISSED LAYUP by HOY, ALEXA			
02:45	REBOUND (OFF) by HOY, ALEXA			
02:45	TURNOVER (LOSTBALL) by HOY, ALEXA			
02:45				STEAL by ALONSO, LUCIA
02:29	FOUL (PERSONAL) by PUC, ZUZANNA			
02:29		49-23	H 26	GOOD! FT by GRAHAM, DESTINY
02:29		50-23	H 27	GOOD! FT by GRAHAM, DESTINY
02:04	MISSED LAYUP by TAYLOR, ARIANA			
02:00	REBOUND (OFF) by ROCHELLE, JADE			
02:00	MISSED JUMPER by ROCHELLE, JADE			
02:00	REBOUND (OFF) by ROCHELLE, JADE			
02:00				SUB OUT: SMITH, SEMAJ
02:00				SUB IN: REESE, CATE
01:49	MISSED LAYUP by PUC, ZUZANNA			
01:46				REBOUND (DEF) by REESE, CATE
01:23				MISSED LAYUP by STARKS, TEE TEE
01:21	REBOUND (DEF) by ROCHELLE, JADE			
01:21				FOUL (PERSONAL) by STARKS, TEE TEE
01:21	SUB OUT: HOY, ALEXA			
01:21	SUB IN: ALEXANDER, JORDAN			
00:57	MISSED LAYUP by OCUANE, NEIDY			
00:53				REBOUND (DEF) by STARKS, TEE TEE
00:37				MISSED 3PTR by ALONSO, LUCIA
00:33				REBOUND (OFF) by GRAHAM, DESTINY
00:06				MISSED 3PTR by NIXON, BRYCE
00:02	REBOUND (DEF) by ROCHELLE, JADE			

### UTEP 23, Arizona 50

Points from (This Period)	UTE	ARI
In the Paint	4	6
Off Turns	0	6
2nd Chance	0	0
Fast Break	0	0
Bench	2	4

**Official Box Score**  
**UTEP vs Arizona**  
**Fourth Quarter Statistics Only**  
**December 18, 2018 at McKale Center (Lute & Bobbi Olson Court) - Tucson, Ariz.**



**UTEP 17**

No.	Player	S	Pts	FG	3FG	FT	OR	DR	TR	PF	A	TO	Blk	Stl	Min	+/-
00	JENKINS, JORDAN		0	0-1	0-1	0-0	0	1	1	0	1	1	0	0	10	5
03	ALEXANDER, JORDAN		3	1-2	1-2	0-0	0	2	2	0	2	1	1	0	8	1
05	PUC, ZUZANNA		0	0-0	0-0	0-0	0	0	0	0	0	0	0	0	2	-3
12	GILL, ARIONA		5	2-2	1-1	0-2	0	2	2	1	0	2	0	0	6	4
44	ZEC, KATARINA		0	0-0	0-0	0-0	0	0	0	0	0	0	0	0	0	0
04	OCUANE, NEIDY		0	0-0	0-0	0-0	0	0	0	0	0	0	0	0	0	0
10	ROCHELLE, JADE		0	0-1	0-0	0-0	1	2	3	1	1	0	0	0	10	5
13	LIPE, SABINE		3	1-2	0-0	1-1	0	0	0	1	0	0	0	0	4	7
23	HOY, ALEXA		0	0-0	0-0	0-0	0	0	0	0	0	0	0	0	2	4
25	TAYLOR, ARIANA		6	2-4	0-1	2-3	1	3	4	1	0	1	0	0	8	2
TEAM							0	0	0	0		0				
<b>TOTALS</b>			<b>17</b>	<b>6-12</b>	<b>2-5</b>	<b>3-6</b>	<b>0</b>	<b>0</b>	<b>12</b>	<b>4</b>	<b>4</b>	<b>5</b>	<b>1</b>	<b>0</b>	<b>50</b>	

*Shooting By Period*

Period	FG	FG%	3FG	3FG%	FT	FT%
Game	15-41	36.6%	3-11	27.3%	7-13	53.8%

**Arizona 12**

No.	Player	S	Pts	FG	3FG	FT	OR	DR	TR	PF	A	TO	Blk	Stl	Min	+/-
02	MCDONALD, AARI		1	0-2	0-2	1-2	1	1	2	0	2	0	0	1	10	-5
04	ALONSO, LUCIA		0	0-0	0-0	0-0	0	0	0	1	2	0	0	0	5	7
14	THOMAS, SAM		3	1-1	1-1	0-0	0	1	1	0	1	0	0	0	5	7
20	MCBRYDE, DOMINIQUE		4	2-3	0-0	0-0	0	0	0	1	0	0	0	0	5	7
25	REESE, CATE		4	2-5	0-0	0-0	0	2	2	1	0	1	0	0	10	-5
10	STARKS, TEE TEE		0	0-3	0-3	0-2	0	0	0	0	0	0	0	0	5	-12
21	GRAHAM, DESTINY		0	0-0	0-0	0-0	0	0	0	0	0	0	0	0	0	0
22	MALECHA, LINDSEY		0	0-0	0-0	0-0	0	0	0	1	0	0	0	0	1	-1
24	NIXON, BRYCE		0	0-1	0-1	0-0	0	0	0	3	0	1	0	2	5	-12
34	SMITH, SEMAJ		0	0-0	0-0	0-0	1	1	2	0	0	0	0	0	4	-11
TEAM							0	0	0	0		0				
<b>TOTALS</b>			<b>12</b>	<b>5-15</b>	<b>1-7</b>	<b>1-4</b>	<b>0</b>	<b>0</b>	<b>7</b>	<b>7</b>	<b>5</b>	<b>2</b>	<b>0</b>	<b>3</b>	<b>50</b>	

*Shooting By Period*

Period	FG	FG%	3FG	3FG%	FT	FT%
Game	25-61	41.0%	8-26	30.8%	4-9	44.4%

Game Notes:

Officials: Penny Davis, Julie Krommenhoek, Teresa Turner  
Attendance: 1076

Start Time: 2018-12-18 01:30:56  
End Time: 2018-12-18 03:03:50  
Game Duration: 92

Score	1st	2nd	3rd	4th	TOT
UTE	8	9	6	17	<b>40</b>
ARI	15	23	12	12	<b>62</b>

Points from (This Period)	UTE	ARI
In the Paint	6	8
Off Turns	3	2
2nd Chance	5	0
Fast Break	4	0
Bench	9	0

**Official Play-By-Play  
UTEP vs Arizona  
Fourth Quarter**

**December 18, 2018 at McKale Center (Lute & Bobbi Olson Court) - Tucson, Ariz.**



**Period 4**

**Starters:**

**UTEP:** 00 JENKINS, JORDAN; 12 GILL, ARIONA; 44 ZEC, KATARINA; 3 ALEXANDER, JORDAN; 5 PUC, ZUZANNA;  
**Arizona:** 2 MCDONALD, AARI; 4 ALONSO, LUCIA; 14 THOMAS, SAM; 20 MCBRYDE, DOMINIQUE; 25 REESE, CATE;

Time	VISITORS: UTEP	Score	Margin	HOME: Arizona
09:49		52-23	H 29	GOOD! JUMPER by MCBRYDE, DOMINIQUE [PNT]
09:49				ASSIST by ALONSO, LUCIA
09:34	GOOD! 3PTR by ALEXANDER, JORDAN	52-26	H 26	
09:34	ASSIST by ROCHELLE, JADE			
09:13		55-26	H 29	GOOD! 3PTR by THOMAS, SAM
09:13				ASSIST by MCDONALD, AARI
08:52	MISSED JUMPER by TAYLOR, ARIANA			
08:49				REBOUND (DEF) by REESE, CATE
08:36		57-26	H 31	GOOD! LAYUP by REESE, CATE
08:36				ASSIST by MCDONALD, AARI
08:22	GOOD! JUMPER by TAYLOR, ARIANA	57-28	H 29	
08:01	FOUL (PERSONAL) by TAYLOR, ARIANA			
08:01		58-28	H 30	GOOD! FT by MCDONALD, AARI
08:01	SUB OUT: PUC, ZUZANNA			
08:01	SUB IN: GILL, ARIONA			
08:00				MISSED FT by MCDONALD, AARI
07:58	REBOUND (DEF) by GILL, ARIONA			
07:44	MISSED 3PTR by ALEXANDER, JORDAN			
07:41				REBOUND (DEF) by THOMAS, SAM
07:41	FOUL (PERSONAL) by ROCHELLE, JADE			
07:28				MISSED JUMPER by REESE, CATE
07:25	REBOUND (DEF) by ALEXANDER, JORDAN			
07:05	TURNOVER (BADPASS) by GILL, ARIONA			
07:05				STEAL by MCDONALD, AARI
06:43				MISSED LAYUP by MCBRYDE, DOMINIQUE
06:40	REBOUND (DEF) by GILL, ARIONA			
06:39				FOUL (PERSONAL) by ALONSO, LUCIA
06:39	MISSED FT by GILL, ARIONA			
06:39	REBOUND (OFF) by TEAM			
06:38	MISSED FT by GILL, ARIONA			
06:36				REBOUND (DEF) by REESE, CATE
06:19		60-28	H 32	GOOD! LAYUP by MCBRYDE, DOMINIQUE
06:19				ASSIST by ALONSO, LUCIA
06:00	TURNOVER (OTHER) by ALEXANDER, JORDAN			
05:40		62-28	H 34	GOOD! LAYUP by REESE, CATE
05:40				ASSIST by THOMAS, SAM
05:20				FOUL (PERSONAL) by MCBRYDE, DOMINIQUE
05:20				SUB OUT: ALONSO, LUCIA
05:20				SUB IN: NIXON, BRYCE
05:20				SUB OUT: THOMAS, SAM
05:20				SUB IN: STARKS, TEE TEE
05:20				SUB OUT: MCBRYDE, DOMINIQUE
05:20				SUB IN: SMITH, SEMAJ
05:03	MISSED 3PTR by TAYLOR, ARIANA			
05:00	REBOUND (OFF) by ROCHELLE, JADE			
04:50	GOOD! LAYUP by GILL, ARIONA	62-30	H 32	
04:50	ASSIST by ALEXANDER, JORDAN			
04:32				MISSED 3PTR by STARKS, TEE TEE
04:28				REBOUND (OFF) by SMITH, SEMAJ
04:20				MISSED 3PTR by MCDONALD, AARI
04:17	REBOUND (DEF) by ALEXANDER, JORDAN			
03:56	MISSED 3PTR by JENKINS, JORDAN			
03:52	REBOUND (OFF) by TAYLOR, ARIANA			
03:52	GOOD! LAYUP by TAYLOR, ARIANA	62-32	H 30	
03:52				FOUL (PERSONAL) by NIXON, BRYCE
03:52				
03:52	GOOD! FT by TAYLOR, ARIANA	62-33	H 29	
03:52	SUB OUT: TAYLOR, ARIANA			
03:52	SUB IN: LIPE, SABINE			
03:36				MISSED 3PTR by NIXON, BRYCE
03:36	BLOCK by ALEXANDER, JORDAN			
03:31				REBOUND (OFF) by MCDONALD, AARI
03:27				MISSED 3PTR by MCDONALD, AARI
03:22	REBOUND (DEF) by ROCHELLE, JADE			
03:04	MISSED JUMPER by ROCHELLE, JADE			
03:00				REBOUND (DEF) by SMITH, SEMAJ
02:50				FOUL (OFF) by NIXON, BRYCE
02:50				TURNOVER (OFFENSIVE) by NIXON, BRYCE
02:31	GOOD! 3PTR by GILL, ARIONA	62-36	H 26	
02:31	ASSIST by ALEXANDER, JORDAN			

Time	VISITORS: UTEP	Score	Margin	HOME: Arizona
02:11	FOUL (PERSONAL) by LIPE, SABINE			
02:11				MISSED FT by STARKS, TEE TEE
02:11				REBOUND (OFF) by TEAM
02:11	SUB OUT: ALEXANDER, JORDAN			
02:11	SUB IN: TAYLOR, ARIANA			
02:10				MISSED FT by STARKS, TEE TEE
02:05	REBOUND (DEF) by ROCHELLE, JADE			
01:57	FOUL (OFF) by GILL, ARIONA			
01:57	TURNOVER (OFFENSIVE) by GILL, ARIONA			
01:57	SUB OUT: GILL, ARIONA			
01:57	SUB IN: HOY, ALEXA			
01:42				MISSED 3PTR by STARKS, TEE TEE
01:39	REBOUND (DEF) by JENKINS, JORDAN			
01:38	GOOD! LAYUP by LIPE, SABINE [FB]	62-38	H 24	
01:38	ASSIST by JENKINS, JORDAN			
01:38				FOUL (PERSONAL) by NIXON, BRYCE
01:38	GOOD! FT by LIPE, SABINE [FB]	62-39	H 23	
01:22				SUB OUT: SMITH, SEMAJ
01:22				SUB IN: MALECHA, LINDSEY
01:11				MISSED LAYUP by REESE, CATE
01:08	REBOUND (DEF) by TAYLOR, ARIANA			
01:03	TURNOVER (LOSTBALL) by JENKINS, JORDAN			
01:03				STEAL by NIXON, BRYCE
01:01				FOUL (OFF) by REESE, CATE
01:01				TURNOVER (OFFENSIVE) by REESE, CATE
00:50	MISSED JUMPER by LIPE, SABINE			
00:46				REBOUND (DEF) by MCDONALD, AARI
00:40				MISSED 3PTR by STARKS, TEE TEE
00:37	REBOUND (DEF) by TAYLOR, ARIANA			
00:37				FOUL (PERSONAL) by MALECHA, LINDSEY
00:37	MISSED FT by TAYLOR, ARIANA			
00:37	REBOUND (OFF) by TEAM			
00:37	GOOD! FT by TAYLOR, ARIANA [FB]	62-40	H 22	
00:17				MISSED JUMPER by REESE, CATE
00:14	REBOUND (DEF) by TAYLOR, ARIANA			
00:13	TURNOVER (BADPASS) by TAYLOR, ARIANA			
00:13				STEAL by NIXON, BRYCE

### UTEP 40, Arizona 62

Points from (This Period)	UTE	ARI
In the Paint	6	8
Off Turns	3	2
2nd Chance	5	0
Fast Break	4	0
Bench	9	0



Official Scoring/Possession Reference Chart

UTEP vs Arizona

Period 1

December 18, 2018 at McKale Center (Lute & Bobbi Olson Court) - Tucson, Ariz.



Period 1

Starters:

UTEP: 00 JENKINS, JORDAN; 12 GILL, ARIONA; 44 ZEC, KATARINA; 3 ALEXANDER, JORDAN; 5 PUC, ZUZANNA;

Arizona: 2 MCDONALD, AARI; 4 ALONSO, LUCIA; 14 THOMAS, SAM; 20 MCBRYDE, DOMINIQUE; 25 REESE, CATE;

Time	VISITORS: UTEP	Score	Margin	HOME: Arizona
09:27		2-0	H 2	GOOD! LAYUP by MCDONALD, AARI
08:58	GOOD! JUMPER by ZEC, KATARINA [PNT]	2-2	T	
08:00		4-2	H 2	GOOD! LAYUP by MCDONALD, AARI
06:59		6-2	H 4	GOOD! LAYUP by ALONSO, LUCIA [FB]
06:17	GOOD! LAYUP by GILL, ARIONA [FB]	6-4	H 2	
05:49		8-4	H 4	GOOD! JUMPER by ALONSO, LUCIA
04:19		10-4	H 6	GOOD! JUMPER by REESE, CATE
03:48		12-4	H 8	GOOD! LAYUP by MCBRYDE, DOMINIQUE
02:09		15-4	H 11	GOOD! 3PTR by THOMAS, SAM
00:45	GOOD! FT by ALEXANDER, JORDAN	15-5	H 10	
00:45	GOOD! FT by ALEXANDER, JORDAN	15-6	H 9	
00:15	GOOD! JUMPER by LIPE, SABINE	15-8	H 7	

UTEP 8, Arizona 15

Official Scoring/Possession Reference Chart

UTEP vs Arizona

Period 2

December 18, 2018 at McKale Center (Lute & Bobbi Olson Court) - Tucson, Ariz.



Period 2

Starters:

UTEP: 00 JENKINS, JORDAN; 12 GILL, ARIONA; 44 ZEC, KATARINA; 3 ALEXANDER, JORDAN; 5 PUC, ZUZANNA;

Arizona: 2 MCDONALD, AARI; 4 ALONSO, LUCIA; 14 THOMAS, SAM; 20 MCBRYDE, DOMINIQUE; 25 REESE, CATE;

Time	VISITORS: UTEP	Score	Margin	HOME: Arizona
09:40		18-8	H 10	GOOD! 3PTR by ALONSO, LUCIA
08:01		21-8	H 13	GOOD! 3PTR by ALONSO, LUCIA
06:38	GOOD! 3PTR by ALEXANDER, JORDAN	21-11	H 10	
05:54		23-11	H 12	GOOD! LAYUP by MCDONALD, AARI [FB]
05:54		24-11	H 13	GOOD! FT by MCDONALD, AARI [FB]
05:32	GOOD! LAYUP by PUC, ZUZANNA	24-13	H 11	
03:54		27-13	H 14	GOOD! 3PTR by ALONSO, LUCIA
02:51		30-13	H 17	GOOD! 3PTR by THOMAS, SAM
02:12		33-13	H 20	GOOD! 3PTR by THOMAS, SAM
01:48	GOOD! LAYUP by GILL, ARIONA	33-15	H 18	
01:27		36-15	H 21	GOOD! 3PTR by MCDONALD, AARI
01:05	GOOD! FT by GILL, ARIONA	36-16	H 20	
01:05	GOOD! FT by GILL, ARIONA	36-17	H 19	
00:03		38-17	H 21	GOOD! JUMPER by MCDONALD, AARI [PNT]

UTEP 17, Arizona 38

**Official Scoring/Possession Reference Chart**

**UTEP vs Arizona**

**Period 3**

**December 18, 2018 at McKale Center (Lute & Bobbi Olson Court) - Tucson, Ariz.**



**Period 3**

**Starters:**

**UTEP:** 00 JENKINS, JORDAN; 12 GILL, ARIONA; 44 ZEC, KATARINA; 3 ALEXANDER, JORDAN; 5 PUC, ZUZANNA;

**Arizona:** 2 MCDONALD, AARI; 4 ALONSO, LUCIA; 14 THOMAS, SAM; 20 MCBRYDE, DOMINIQUE; 25 REESE, CATE;

Time	VISITORS: UTEP	Score	Margin	HOME: Arizona
09:26		40-17	H 23	GOOD! JUMPER by MCBRYDE, DOMINIQUE
09:02		42-17	H 25	GOOD! JUMPER by MCDONALD, AARI
08:30	GOOD! LAYUP by ALEXANDER, JORDAN	42-19	H 23	
08:13		44-19	H 25	GOOD! LAYUP by THOMAS, SAM
06:20	GOOD! LAYUP by PUC, ZUZANNA	44-21	H 23	
06:04		46-21	H 25	GOOD! LAYUP by MCBRYDE, DOMINIQUE
04:23	GOOD! JUMPER by TAYLOR, ARIANA	46-23	H 23	
03:21		48-23	H 25	GOOD! JUMPER by SMITH, SEMAJ
02:29		49-23	H 26	GOOD! FT by GRAHAM, DESTINY
02:29		50-23	H 27	GOOD! FT by GRAHAM, DESTINY

**UTEP 23, Arizona 50**

Official Scoring/Possession Reference Chart

UTEP vs Arizona

Period 4

December 18, 2018 at McKale Center (Lute & Bobbi Olson Court) - Tucson, Ariz.



Period 4

Starters:

UTEP: 00 JENKINS, JORDAN; 12 GILL, ARIONA; 44 ZEC, KATARINA; 3 ALEXANDER, JORDAN; 5 PUC, ZUZANNA;

Arizona: 2 MCDONALD, AARI; 4 ALONSO, LUCIA; 14 THOMAS, SAM; 20 MCBRYDE, DOMINIQUE; 25 REESE, CATE;

Time	VISITORS: UTEP	Score	Margin	HOME: Arizona
09:49		52-23	H 29	GOOD! JUMPER by MCBRYDE, DOMINIQUE [PNT]
09:34	GOOD! 3PTR by ALEXANDER, JORDAN	52-26	H 26	
09:13		55-26	H 29	GOOD! 3PTR by THOMAS, SAM
08:36		57-26	H 31	GOOD! LAYUP by REESE, CATE
08:22	GOOD! JUMPER by TAYLOR, ARIANA	57-28	H 29	
08:01		58-28	H 30	GOOD! FT by MCDONALD, AARI
06:19		60-28	H 32	GOOD! LAYUP by MCBRYDE, DOMINIQUE
05:40		62-28	H 34	GOOD! LAYUP by REESE, CATE
04:50	GOOD! LAYUP by GILL, ARIONA	62-30	H 32	
03:52	GOOD! LAYUP by TAYLOR, ARIANA	62-32	H 30	
03:52	GOOD! FT by TAYLOR, ARIANA	62-33	H 29	
02:31	GOOD! 3PTR by GILL, ARIONA	62-36	H 26	
01:38	GOOD! LAYUP by LIPE, SABINE [FB]	62-38	H 24	
01:38	GOOD! FT by LIPE, SABINE [FB]	62-39	H 23	
00:37	GOOD! FT by TAYLOR, ARIANA [FB]	62-40	H 22	

UTEP 40, Arizona 62

Official Substitutions Log

UTEP vs Arizona

Period 1

December 18, 2018 at McKale Center (Lute & Bobbi Olson Court) - Tucson, Ariz.



VISITORS: UTEP	Time	Score	HOME: Arizona
00 JENKINS, JORDAN			2 MCDONALD, AARI
12 GILL, ARIONA			4 ALONSO, LUCIA
44 ZEC, KATARINA			14 THOMAS, SAM
3 ALEXANDER, JORDAN			20 MCBRYDE, DOMINIQUE
5 PUC, ZUZANNA			25 REESE, CATE
SUB OUT: 12 GILL, ARIONA	04:49	4-8	
SUB IN: 10 ROCHELLE, JADE	04:49		
SUB OUT: 44 ZEC, KATARINA	04:00	4-10	
SUB IN: 23 HOY, ALEXA	04:00		
	03:25	4-12	SUB OUT: REESE, CATE
	03:25		SUB IN: STARKS, TEE TEE
	03:25		SUB OUT: ALONSO, LUCIA
	03:25		SUB IN: GRAHAM, DESTINY
SUB OUT: 3 ALEXANDER, JORDAN	03:25		
SUB IN: 12 GILL, ARIONA	03:25		
SUB OUT: 10 ROCHELLE, JADE	02:25	4-12	
SUB IN: 3 ALEXANDER, JORDAN	02:25		
SUB OUT: 00 JENKINS, JORDAN	01:56	4-15	
SUB IN: 4 OCUANE, NEIDY	01:56		
SUB OUT: 23 HOY, ALEXA	01:56		
SUB IN: 44 ZEC, KATARINA	01:56		
SUB OUT: 12 GILL, ARIONA	01:56		
SUB IN: 13 LIPE, SABINE	01:56		
	00:45	5-15	SUB OUT: MCBRYDE, DOMINIQUE
	00:45		SUB IN: SMITH, SEMAJ
	00:45		SUB OUT: THOMAS, SAM
	00:45		SUB IN: NIXON, BRYCE

UTEP 8, Arizona 15

Official Substitutions Log

UTEP vs Arizona

Period 2

December 18, 2018 at McKale Center (Lute & Bobbi Olson Court) - Tucson, Ariz.



VISITORS: UTEP	Time	Score	HOME: Arizona
00 JENKINS, JORDAN			2 MCDONALD, AARI
12 GILL, ARIONA			4 ALONSO, LUCIA
44 ZEC, KATARINA			14 THOMAS, SAM
3 ALEXANDER, JORDAN			20 MCBRYDE, DOMINIQUE
5 PUC, ZUZANNA			25 REESE, CATE
	09:14	8-18	SUB OUT: GRAHAM, DESTINY
	09:14		SUB IN: REESE, CATE
	08:30	8-18	SUB OUT: SMITH, SEMAJ
	08:30		SUB IN: GRAHAM, DESTINY
	07:30	8-21	SUB OUT: STARKS, TEE TEE
	07:30		SUB IN: MCDONALD, AARI
SUB OUT: 23 HOY, ALEXA	07:30		
SUB IN: 12 GILL, ARIONA	07:30		
	06:50	8-21	SUB OUT: GRAHAM, DESTINY
	06:50		SUB IN: MCBRYDE, DOMINIQUE
	05:54	11-23	SUB OUT: MCBRYDE, DOMINIQUE
	05:54		SUB IN: THOMAS, SAM
	05:54		SUB OUT: NIXON, BRYCE
	05:54		SUB IN: GRAHAM, DESTINY
SUB OUT: 44 ZEC, KATARINA	05:54		
SUB IN: 13 LIPE, SABINE	05:54		
SUB OUT: 4 OCUANE, NEIDY	05:46	11-24	
SUB IN: 00 JENKINS, JORDAN	05:46		
	04:59	13-24	SUB OUT: REESE, CATE
	04:59		SUB IN: SMITH, SEMAJ
SUB OUT: 00 JENKINS, JORDAN	02:10	13-33	
SUB IN: 4 OCUANE, NEIDY	02:10		
	01:05	16-36	SUB OUT: SMITH, SEMAJ
	01:05		SUB IN: MALECHA, LINDSEY

UTEP 17, Arizona 38

**Official Substitutions Log  
UTEP vs Arizona  
Period 3**

**December 18, 2018 at McKale Center (Lute & Bobbi Olson Court) - Tucson, Ariz.**



<b>VISITORS: UTEP</b>	<b>Time</b>	<b>Score</b>	<b>HOME: Arizona</b>
00 JENKINS, JORDAN			2 MCDONALD, AARI
12 GILL, ARIONA			4 ALONSO, LUCIA
44 ZEC, KATARINA			14 THOMAS, SAM
3 ALEXANDER, JORDAN			20 MCBRYDE, DOMINIQUE
5 PUC, ZUZANNA			25 REESE, CATE
	05:42	21-46	SUB OUT: REESE, CATE
	05:42		SUB IN: GRAHAM, DESTINY
	05:42		SUB OUT: ALONSO, LUCIA
	05:42		SUB IN: STARKS, TEE TEE
SUB OUT: 00 JENKINS, JORDAN	05:42		
SUB IN: 25 TAYLOR, ARIANA	05:42		
SUB OUT: 5 PUC, ZUZANNA	05:42		
SUB IN: 10 ROCHELLE, JADE	05:42		
SUB OUT: 12 GILL, ARIONA	05:42		
SUB IN: 4 OCUANE, NEIDY	05:42		
	04:48	21-46	SUB OUT: MCBRYDE, DOMINIQUE
	04:48		SUB IN: SMITH, SEMAJ
SUB OUT: 44 ZEC, KATARINA	04:48		
SUB IN: 23 HOY, ALEXA	04:48		
SUB OUT: 10 ROCHELLE, JADE	03:56	23-46	
SUB IN: 5 PUC, ZUZANNA	03:56		
SUB OUT: 3 ALEXANDER, JORDAN	02:53	23-48	
SUB IN: 10 ROCHELLE, JADE	02:53		
	02:53		SUB OUT: MCDONALD, AARI
	02:53		SUB IN: ALONSO, LUCIA
	02:53		SUB OUT: THOMAS, SAM
	02:53		SUB IN: NIXON, BRYCE
	02:00	23-50	SUB OUT: SMITH, SEMAJ
	02:00		SUB IN: REESE, CATE
SUB OUT: 23 HOY, ALEXA	01:21	23-50	
SUB IN: 3 ALEXANDER, JORDAN	01:21		

**UTEP 23, Arizona 50**

Official Substitutions Log

UTEP vs Arizona

Period 4

December 18, 2018 at McKale Center (Lute & Bobbi Olson Court) - Tucson, Ariz.



VISITORS: UTEP	Time	Score	HOME: Arizona
00 JENKINS, JORDAN			2 MCDONALD, AARI
12 GILL, ARIONA			4 ALONSO, LUCIA
44 ZEC, KATARINA			14 THOMAS, SAM
3 ALEXANDER, JORDAN			20 MCBRYDE, DOMINIQUE
5 PUC, ZUZANNA			25 REESE, CATE
SUB OUT: 5 PUC, ZUZANNA	08:01	28-58	
SUB IN: 12 GILL, ARIONA	08:01		
	05:20	28-62	SUB OUT: ALONSO, LUCIA
	05:20		SUB IN: NIXON, BRYCE
	05:20		SUB OUT: THOMAS, SAM
	05:20		SUB IN: STARKS, TEE TEE
	05:20		SUB OUT: MCBRYDE, DOMINIQUE
	05:20		SUB IN: SMITH, SEMAJ
SUB OUT: 25 TAYLOR, ARIANA	03:52	33-62	
SUB IN: 13 LIPE, SABINE	03:52		
SUB OUT: 3 ALEXANDER, JORDAN	02:11	36-62	
SUB IN: 25 TAYLOR, ARIANA	02:11		
SUB OUT: 12 GILL, ARIONA	01:57	36-62	
SUB IN: 23 HOY, ALEXA	01:57		
	01:22	39-62	SUB OUT: SMITH, SEMAJ
	01:22		SUB IN: MALECHA, LINDSEY

UTEP 40, Arizona 62



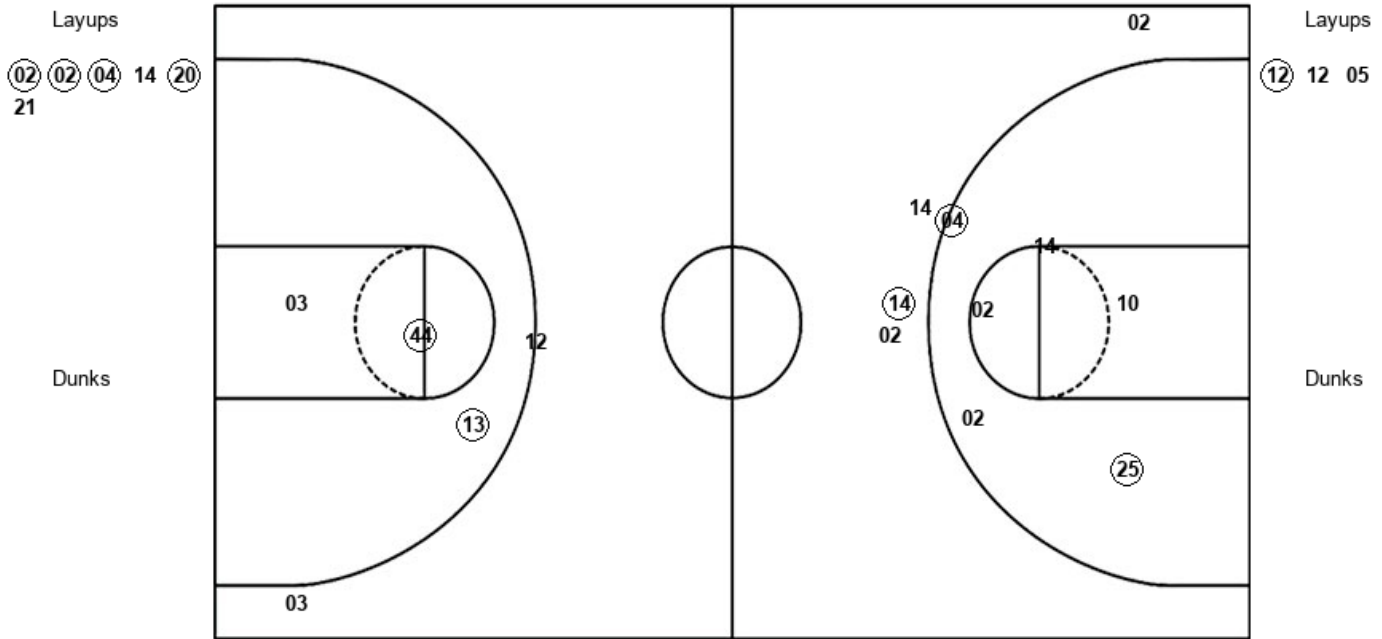
Official Shot Chart  
 UTEP vs Arizona  
 PERIOD 1 Shots

December 18, 2018 at McKale Center (Lute & Bobbi Olson Court) - Tucson, Ariz.



Arizona

UTEP



ARI : Period 1	Made	Att	Pct
Layups	4	6	66.7
Dunks	0	0	0
2PT Field Goals	6	12	50.0
3PT Field Goals	1	4	25.0
<b>Total Field Goals</b>	<b>7</b>	<b>16</b>	<b>43.8</b>

UTE : Period 1	Made	Att	Pct
Layups	1	3	33.3
Dunks	0	0	0
2PT Field Goals	3	7	42.9
3PT Field Goals	0	1	00.0
<b>Total Field Goals</b>	<b>3</b>	<b>8</b>	<b>37.5</b>

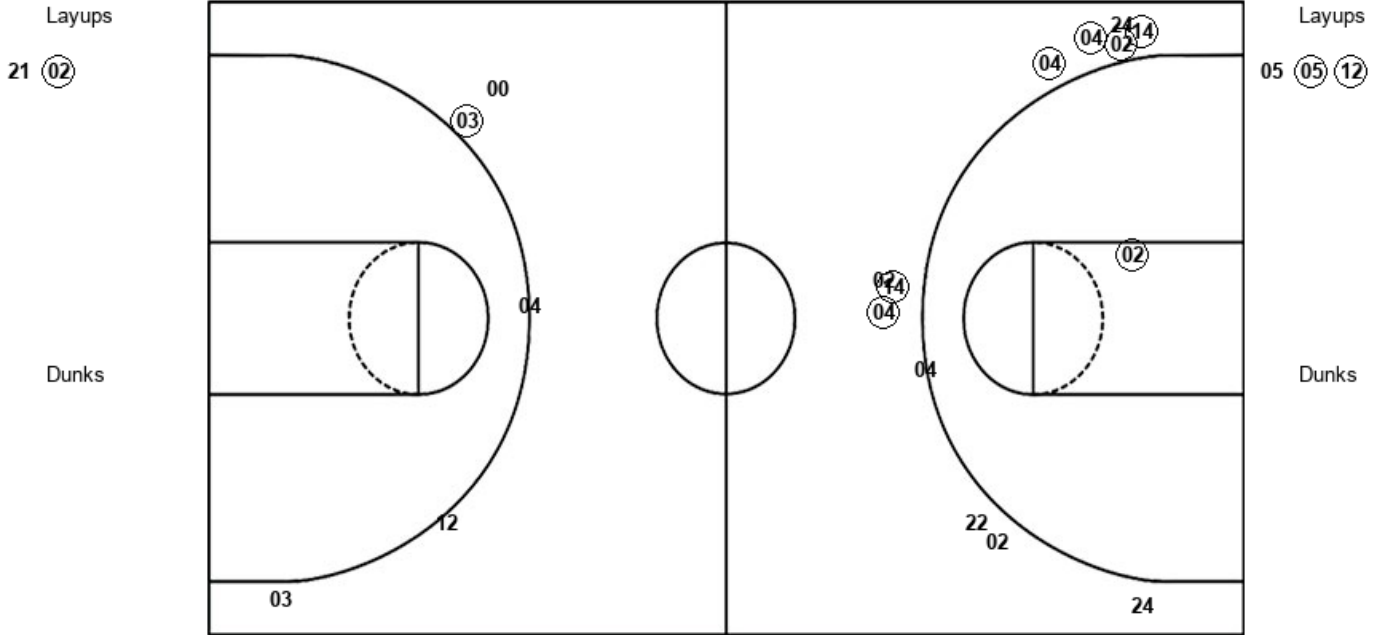
Official Shot Chart  
 UTEP vs Arizona  
 PERIOD 2 Shots

December 18, 2018 at McKale Center (Lute & Bobbi Olson Court) - Tucson, Ariz.



Arizona

UTEP



ARI : Period 2	Made	Att	Pct
Layups	1	2	50.0
Dunks	0	0	0
2PT Field Goals	2	4	50.0
3PT Field Goals	6	11	54.5
<b>Total Field Goals</b>	<b>8</b>	<b>15</b>	<b>53.3</b>

UTE : Period 2	Made	Att	Pct
Layups	2	3	66.7
Dunks	0	0	0
2PT Field Goals	2	3	66.7
3PT Field Goals	1	5	20.0
<b>Total Field Goals</b>	<b>3</b>	<b>8</b>	<b>37.5</b>

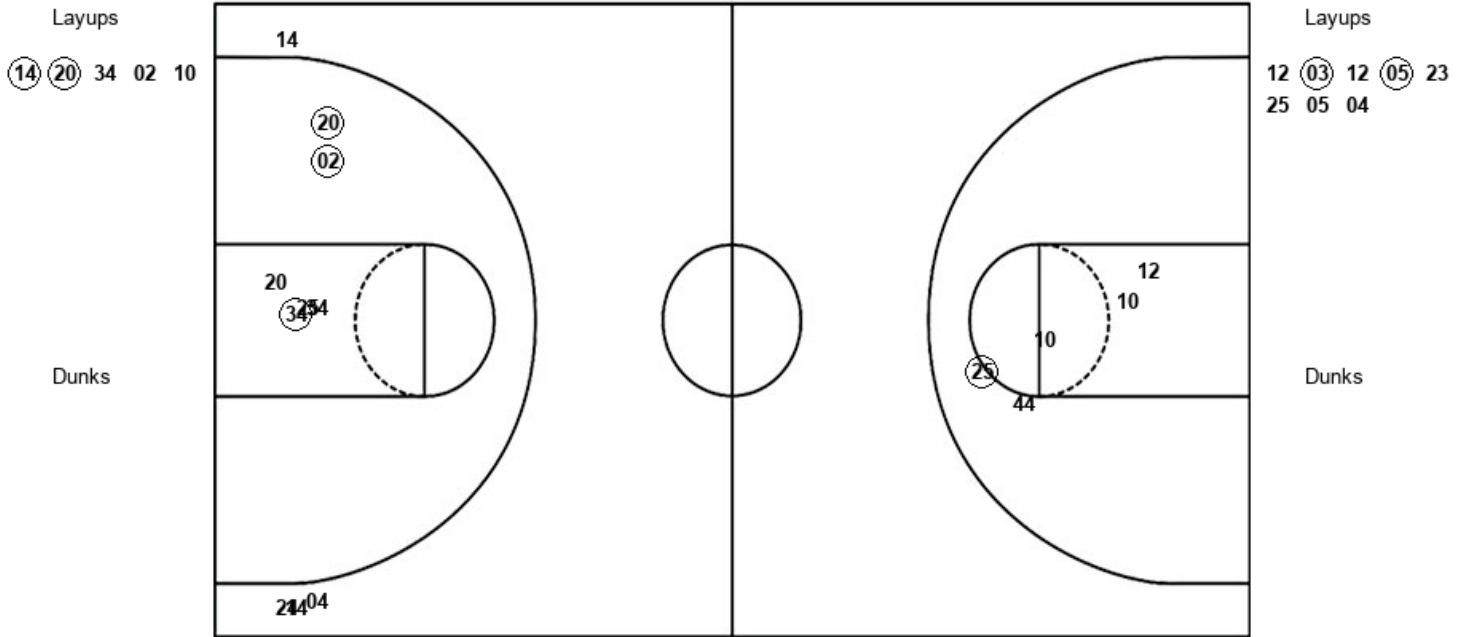
Official Shot Chart  
 UTEP vs Arizona  
 PERIOD 3 Shots

December 18, 2018 at McKale Center (Lute & Bobbi Olson Court) - Tucson, Ariz.



Arizona

UTEP



ARI : Period 3	Made	Att	Pct
Layups	2	5	40.0
Dunks	0	0	0
2PT Field Goals	5	11	45.5
3PT Field Goals	0	4	00.0
<b>Total Field Goals</b>	<b>5</b>	<b>15</b>	<b>33.3</b>

UTE : Period 3	Made	Att	Pct
Layups	2	8	25.0
Dunks	0	0	0
2PT Field Goals	3	13	23.1
3PT Field Goals	0	0	0
<b>Total Field Goals</b>	<b>3</b>	<b>13</b>	<b>23.1</b>

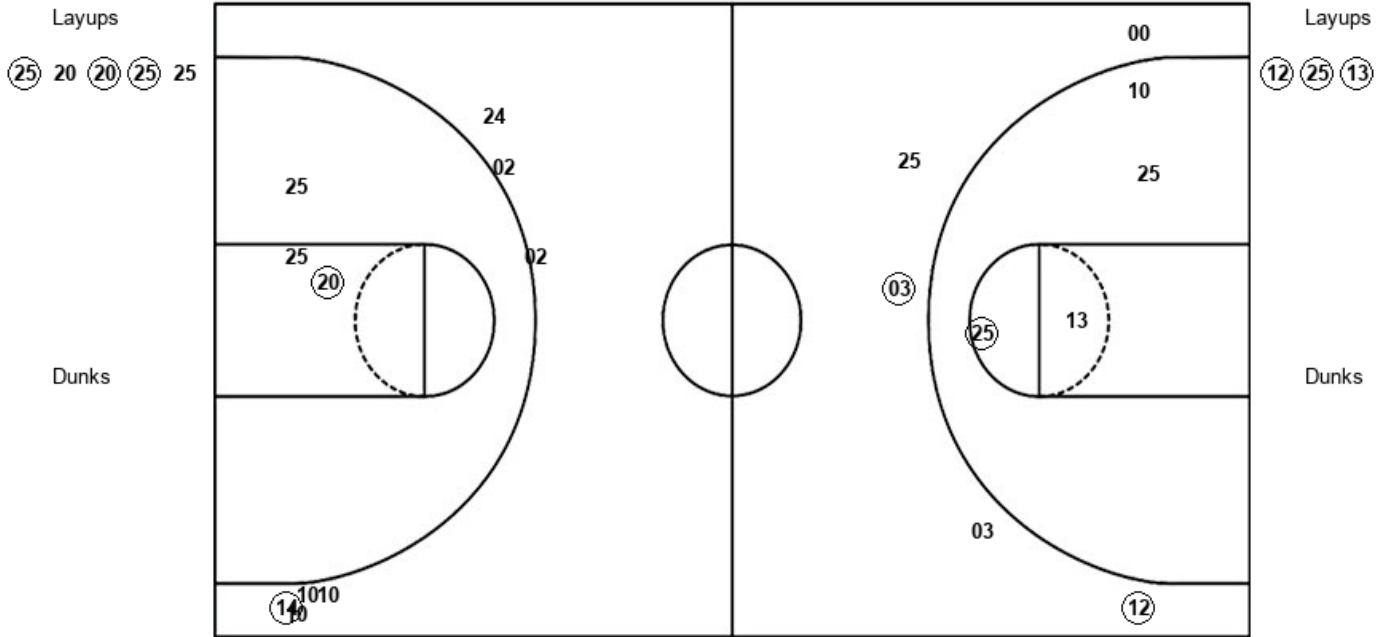
Official Shot Chart  
 UTEP vs Arizona  
 PERIOD 4 Shots

December 18, 2018 at McKale Center (Lute & Bobbi Olson Court) - Tucson, Ariz.



Arizona

UTEP



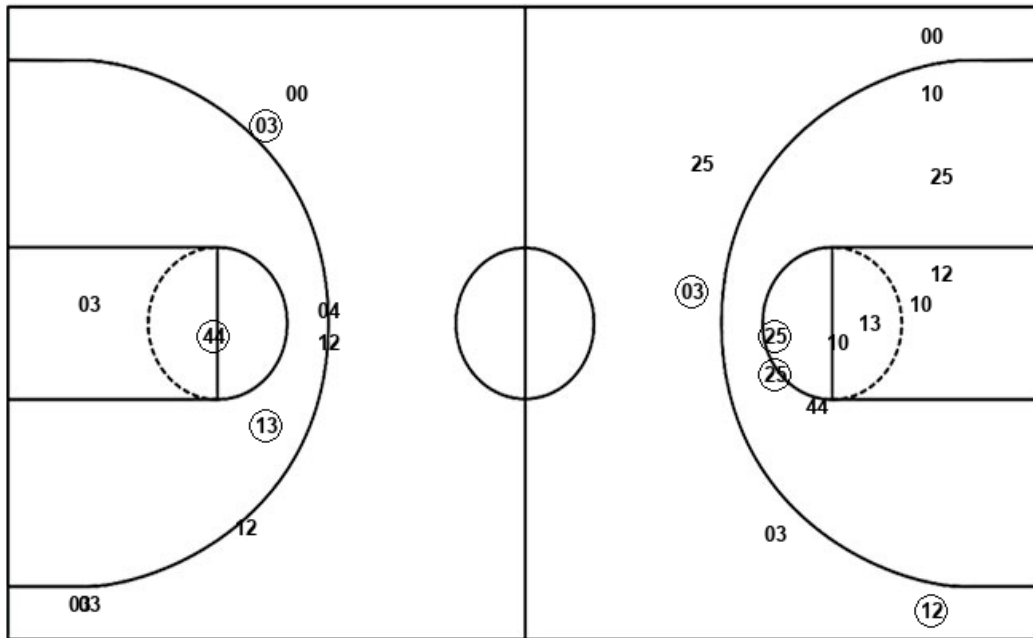
ARI : Period 4	Made	Att	Pct
Layups	3	5	60.0
Dunks	0	0	0
2PT Field Goals	4	8	50.0
3PT Field Goals	1	7	14.3
<b>Total Field Goals</b>	<b>5</b>	<b>15</b>	<b>33.3</b>

UTE : Period 4	Made	Att	Pct
Layups	3	3	100.0
Dunks	0	0	0
2PT Field Goals	4	7	57.1
3PT Field Goals	2	5	40.0
<b>Total Field Goals</b>	<b>6</b>	<b>12</b>	<b>50.0</b>

**Official Shot Chart**  
**UTEP vs Arizona**  
**UTEP Team Shots**  
 December 18, 2018 at McKale Center (Lute & Bobbi Olson Court) - Tucson, Ariz.



Layups



Layups

Dunks

Dunks

UTE : Period 1	Made	Att	Pct
Layups	1	3	33.3
Dunks	0	0	0
2PT Field Goals	3	7	42.9
3PT Field Goals	0	1	00.0
<b>Total Field Goals</b>	<b>3</b>	<b>8</b>	<b>37.5</b>

UTE : Period 3	Made	Att	Pct
Layups	2	8	25.0
Dunks	0	0	0
2PT Field Goals	3	13	23.1
3PT Field Goals	0	0	0
<b>Total Field Goals</b>	<b>3</b>	<b>13</b>	<b>23.1</b>

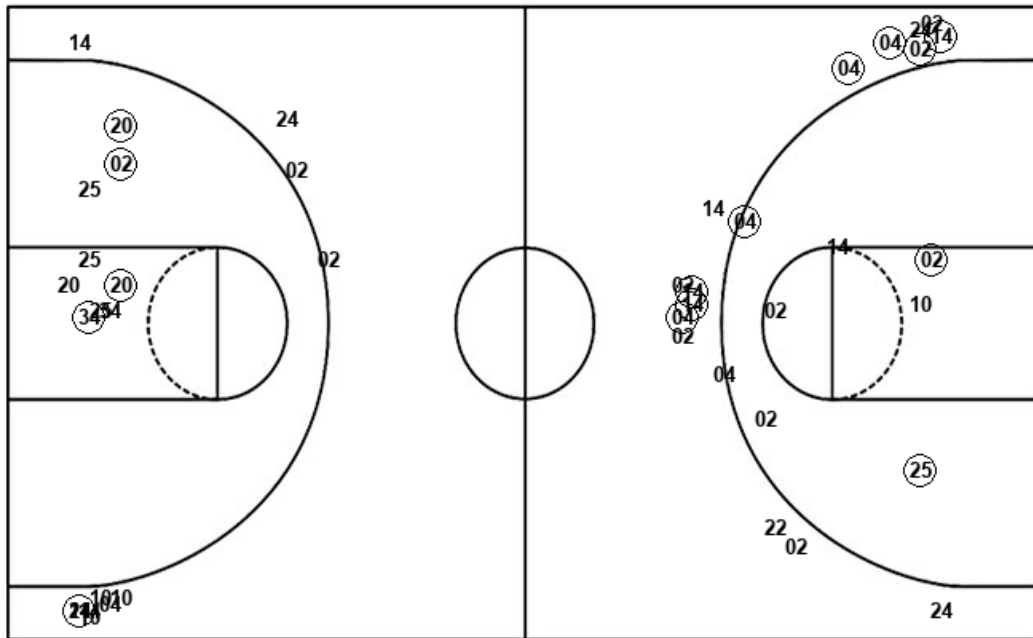
UTE : Period 2	Made	Att	Pct
Layups	2	3	66.7
Dunks	0	0	0
2PT Field Goals	2	3	66.7
3PT Field Goals	1	5	20.0
<b>Total Field Goals</b>	<b>3</b>	<b>8</b>	<b>37.5</b>

UTE : Period 4	Made	Att	Pct
Layups	3	3	100.0
Dunks	0	0	0
2PT Field Goals	4	7	57.1
3PT Field Goals	2	5	40.0
<b>Total Field Goals</b>	<b>6</b>	<b>12</b>	<b>50.0</b>

**Official Shot Chart**  
**UTEP vs Arizona**  
**Arizona Team Shots**  
 December 18, 2018 at McKale Center (Lute & Bobbi Olson Court) - Tucson, Ariz.



Layups



Layups

02 02 04 14 20  
 21 21 02 14 20  
 34 02 10 25 20  
 20 25 25

Dunks

Dunks

ARI : Period 1	Made	Att	Pct
Layups	4	6	66.7
Dunks	0	0	0
2PT Field Goals	6	12	50.0
3PT Field Goals	1	4	25.0
<b>Total Field Goals</b>	<b>7</b>	<b>16</b>	<b>43.8</b>

ARI : Period 3	Made	Att	Pct
Layups	2	5	40.0
Dunks	0	0	0
2PT Field Goals	5	11	45.5
3PT Field Goals	0	4	00.0
<b>Total Field Goals</b>	<b>5</b>	<b>15</b>	<b>33.3</b>

ARI : Period 2	Made	Att	Pct
Layups	1	2	50.0
Dunks	0	0	0
2PT Field Goals	2	4	50.0
3PT Field Goals	6	11	54.5
<b>Total Field Goals</b>	<b>8</b>	<b>15</b>	<b>53.3</b>

ARI : Period 4	Made	Att	Pct
Layups	3	5	60.0
Dunks	0	0	0
2PT Field Goals	4	8	50.0
3PT Field Goals	1	7	14.3
<b>Total Field Goals</b>	<b>5</b>	<b>15</b>	<b>33.3</b>