

## FINAL SCORE



**Saint Joseph's**

19-15

**51**



**West Virginia**

22-12

**79**

**2018 Postseason WNIT Second Round**

**March 18, 2018 • WVU Coliseum, Morgantown, W.Va.**

## FINAL STATISTICS

Official Basketball Box Score -- Game Totals -- Final Statistics  
 Saint Joseph's vs West Virginia  
 3/18/2018 2:00 p.m. at WVU Coliseum, Morgantown, W.Va.



Saint Joseph's 51 - 19-15

##	Player	g	Total		3-Ptr		Rebounds			PF	TP	A	TO	Blk	Stl	Min
			FG-FGA	FG-FGA	FT-FTA	Off	Def	Tot								
04	BAISDEN,KRIST ALYN	g	3-7	3-5	0-0	0	0	0	2	9	0	4	0	3	34	
12	MONAGHAN,ALYSSA	g	3-10	1-5	4-4	0	4	4	1	11	3	1	0	1	38	
31	GARNER,JARYN	g	0-3	0-0	0-0	1	2	3	5	0	0	1	0	0	22	
32	WOODS,CHELSEA	g	7-13	0-0	1-2	4	4	8	2	15	5	5	0	1	38	
34	FIORAVANTI,AMANDA	f	3-6	0-0	2-2	0	4	4	4	8	3	5	2	2	30	
01	FISHER,WHISPER		0-0	0-0	0-0	0	1	1	0	0	0	0	0	0	2	
02	ROIG,LULA		0-1	0-0	0-0	0	0	0	0	0	0	1	0	0	4	
11	MARZ,AVERY		0-0	0-0	0-0	0	0	0	0	0	0	0	0	0	2	
33	FRANKLYN,ADASHIA		4-8	0-0	0-0	1	2	3	3	8	2	3	2	0	24	
35	CLAY,MICHALA		0-0	0-0	0-0	0	0	0	0	0	0	1	0	0	3	
40	BELVEDERE,CANDACE		0-0	0-0	0-0	0	0	0	0	0	0	1	0	0	3	
TEAM						1	0	1	0		0					
TOTALS			20-48	4-10	7-8	7	17	24	17	51	13	22	4	7	200	

Deadball Rebounds: 0,0

FG %	1st Half: 9-27 33.3%	2nd Half: 11-21 52.4%	Game: 20-48 41.7%
	1st Qtr 4-13 30.8%	2nd Qtr 5-14 35.7%	3rd Qtr 6-11 54.5%
3FG %	1st Half: 2-6 33.3%	2nd Half: 2-4 50.0%	Game: 4-10 40.0%
	1st Qtr 0-0 0%	2nd Qtr 2-6 33.3%	3rd Qtr 1-2 50.0%
FT %	1st Half: 2-2 100.0%	2nd Half: 5-6 83.3%	Game: 7-8 87.5%
	1st Qtr 2-2 100.0%	2nd Qtr 0-0 0%	3rd Qtr 5-6 83.3%
			4th Qtr 5-10 50.0%
			4th Qtr 1-2 50.0%
			4th Qtr 0-0 0%

West Virginia 79 - 22-12

##	Player	g	Total		3-Ptr		Rebounds			PF	TP	A	TO	Blk	Stl	Min
			FG-FGA	FG-FGA	FT-FTA	Off	Def	Tot								
00	DAVENPORT,NAOMI	g	4-10	2-3	8-9	0	5	5	2	18	3	1	0	1	34	
11	MULDROW,T EANA	f	4-8	0-1	4-4	3	7	10	3	12	2	2	0	1	33	
12	RAY,CHANIA	g	1-7	1-6	0-0	0	2	2	2	3	8	4	0	2	35	
13	KING,KRISTINA	f	7-9	0-0	1-1	0	1	1	1	15	1	2	0	2	27	
22	PARDEE,KATRINA	g	5-10	2-4	3-3	0	3	3	1	15	0	2	0	4	36	
01	JONES,ASHLEY		2-3	2-3	0-0	0	1	1	1	6	1	1	0	0	11	
03	HARDEN,DESTINY		4-5	0-0	0-0	2	0	2	1	8	0	1	0	0	13	
04	STAPLES,NIA		0-1	0-0	0-0	1	0	1	0	0	1	0	0	1	3	
34	EKHELAR,THEHERESA		1-2	0-0	0-0	2	1	3	2	2	0	2	0	0	8	
TEAM						2	2	4	0		0					
TOTALS			28-55	7-17	16-17	10	22	32	13	79	16	15	0	11	200	

Deadball Rebounds: 1,0

FG %	1st Half: 14-31 45.2%	2nd Half: 14-24 58.3%	Game: 28-55 50.9%
	1st Qtr 7-19 36.8%	2nd Qtr 7-12 58.3%	3rd Qtr 5-8 62.5%
3FG %	1st Half: 3-10 30.0%	2nd Half: 4-7 57.1%	Game: 7-17 41.2%
	1st Qtr 1-6 16.7%	2nd Qtr 2-4 50.0%	3rd Qtr 0-1 00.0%
FT %	1st Half: 6-6 100.0%	2nd Half: 10-11 90.9%	Game: 16-17 94.1%
	1st Qtr 2-2 100.0%	2nd Qtr 4-4 100.0%	3rd Qtr 8-9 88.9%
			4th Qtr 9-16 56.3%
			4th Qtr 4-6 66.7%
			4th Qtr 2-2 100.0%

Officials: Angela Enlund, Josh Howell, Marta Gearhart  
 Technical Fouls: Saint Joseph's- None. West Virginia- None.  
 Attendance: 1651

Garner (SJU) fouled out with 3:15 remaining in the game.

Score by periods	1st	2nd	3rd	4th	Total
Saint Joseph's	10	12	18	11	51
West Virginia	17	20	18	24	79

Points	In Paint	Off T/O	2nd Chance	Fast Break	Bench
SJU	28	12	2	6	8
WVU	34	32	14	18	16

Last FG - SJU 4th-03:32, WVU 4th-00:10.  
 Largest lead - Saint Joseph's by ; West Virginia by 28 4th-00:10  
 SJU led for 0:00. WVU led for 37:49. Game was tied for 2:11.

Score tied - 0 times; Lead changed - 0 times

Official Basketball Box Score -- Game Totals -- First Half Statistics  
 Saint Joseph's vs West Virginia  
 3/18/2018 2:00 p.m. at WVU Coliseum, Morgantown, W.Va.



Saint Joseph's 22 • 19-15

##	Player	g	Total			3-Ptr			Rebounds			PF	TP	A	TO	Blk	Stl	Min
			FG-FGA	FG-FGA	FT-FTA	FG-FGA	FG-FGA	FT-FTA	Off	Def	Tot							
04	BAISDEN, KRISTALYN	g	1-3	1-2	0-0	0	0	0	1	3	0	3	0	1	17			
12	MONAGHAN, ALYSSA	g	1-7	1-4	2-2	0	2	2	1	5	0	0	0	1	20			
31	GARNER, JARYN	g	0-1	0-0	0-0	1	2	3	2	0	0	1	0	11				
32	WOODS, CHELSEA	g	3-8	0-0	0-0	4	2	6	1	6	4	3	0	1	20			
34	FIORAVANTI, AMANDA	f	1-3	0-0	0-0	0	4	4	1	2	2	2	1	0	18			
01	FISHER, WHISPER		0-0	0-0	0-0	0	0	0	0	0	0	0	0	0				
02	ROIG, LULA		0-0	0-0	0-0	0	0	0	0	0	0	1	0	2				
11	MARZ, AVERY		0-0	0-0	0-0	0	0	0	0	0	0	0	0	0				
33	FRANKLYN, ADASHIA		3-5	0-0	0-0	0	1	1	1	6	2	1	1	0	12			
35	CLAY, MICHALA		0-0	0-0	0-0	0	0	0	0	0	0	0	0	0				
40	BELVEDERE, CANDACE		0-0	0-0	0-0	0	0	0	0	0	0	0	0	0				
TEAM						0	0	0	0		0							
Totals			9-27	2-6	2-2	5	11	16	7	22	8	11	2	3	100			

FG % 1st Qtr 4-13 30.8% 2nd Qtr 5-14 35.7% Half: 9-27 33.3%  
 3FG % 1st Qtr 0-0 0% 2nd Qtr 2-6 33.3% Half: 2-6 33.3%  
 FT % 1st Qtr 2-2 100.0% 2nd Qtr 0-0 0% Half: 2-2 100.0%

West Virginia 37 • 22-12

##	Player	g	Total			3-Ptr			Rebounds			PF	TP	A	TO	Blk	Stl	Min
			FG-FGA	FG-FGA	FT-FTA	FG-FGA	FG-FGA	FT-FTA	Off	Def	Tot							
00	DAVENPORT, NAOMI	g	2-7	2-3	2-2	0	4	4	0	8	1	1	0	1	16			
11	MULDROW, TEANA	f	3-6	0-1	2-2	3	2	5	1	8	1	0	0	0	18			
12	RAY, CHANIA	g	0-4	0-3	0-0	0	2	2	1	0	4	2	0	2	18			
13	KING, KRISTINA	f	4-6	0-0	1-1	0	0	0	0	9	1	1	0	0	15			
22	PARDEE, KATRINA	g	3-6	1-3	1-1	0	3	3	0	8	0	1	0	4	20			
01	JONES, ASHLEY		0-0	0-0	0-0	0	0	0	1	0	1	0	0	6				
03	HARDEN, DESTINY		2-2	0-0	0-0	1	0	1	1	4	0	1	0	5				
04	STAPLES, NIA		0-0	0-0	0-0	0	0	0	0	0	0	0	0	0				
34	EKHELAR, THERESA		0-0	0-0	0-0	1	0	1	1	0	0	1	0	2				
TEAM						1	2	3	0		0							
Totals			14-31	3-10	6-6	6	13	19	5	37	8	7	0	7	100			

FG % 1st Qtr 7-19 36.8% 2nd Qtr 7-12 58.3% Half: 14-31 45.2%  
 3FG % 1st Qtr 1-6 16.7% 2nd Qtr 2-4 50.0% Half: 3-10 30.0%  
 FT % 1st Qtr 2-2 100.0% 2nd Qtr 4-4 100.0% Half: 6-6 100.0%

Officials: Angela Enlund, Josh Howell, Marta Gearhart  
 Technical Fouls: Saint Joseph's- None. West Virginia- None.  
 Garner (SJU) fouled out with 3:15 remaining in the game.

Score by periods	1st	2nd	3rd	4th	Total
Saint Joseph's	10	12	18	11	51
West Virginia	17	20	18	24	79

Points	In Paint	Off T/O	2nd Chance	Fast Break	Bench
SJU	14	4	2	2	6
West Virginia	20	14	4	10	4

Last FG - SJU 2nd-01:22, WVU 2nd-01:10.  
 SJU led for 0:00. WVU led for 17:49. Game was tied for 2:11.

Score tied - 0 times  
 Lead changed - 0 times

**Saint Joseph's vs West Virginia**  
**3/18/2018; 2:00 p.m. at WVU Coliseum, Morgantown, W.Va.**  
**Period 1 Play-By-Play**



VISITORS: Saint Joseph's	Time	Score	Margin	HOME: West Virginia
	09:47			MISSED 3PTR by DAVENPORT,NAOMI
REBOUND (DEF) by MONAGHAN,ALYSSA	09:47			
MISSED LAYUP by WOODS,CHELSEA	09:20			
	09:20			REBOUND (DEF) by RAY,CHANIA
	09:08			MISSED 3PTR by MULDROW,TEANA
REBOUND (DEF) by MONAGHAN,ALYSSA	09:08			
MISSED JUMPER by MONAGHAN,ALYSSA	08:44			
REBOUND (OFF) by WOODS,CHELSEA	08:44			
MISSED JUMPER by WOODS,CHELSEA	08:42			
	08:42			REBOUND (DEF) by PARDEE,KATRINA
	08:21			MISSED LAYUP by DAVENPORT,NAOMI
	08:21			REBOUND (OFF) by TEAM
	08:09			MISSED LAYUP by KING,KRISTINA
	08:09			REBOUND (OFF) by MULDROW,TEANA
	08:06			MISSED LAYUP by MULDROW,TEANA
REBOUND (DEF) by GARNER,JARYN	08:06			
TURNOVER by BAISDEN,KRISTALYN	07:52			
	07:51			STEAL by PARDEE,KATRINA
	07:49	2-0	H 2	GOOD! LAYUP by PARDEE,KATRINA [FB/PNT]
TURNOVER by BAISDEN,KRISTALYN	07:26			
	07:24			STEAL by PARDEE,KATRINA
	07:22	4-0	H 4	GOOD! LAYUP by KING,KRISTINA [FB/PNT]
SUB IN: ROIG,LULA	07:07			
SUB OUT: BAISDEN,KRISTALYN	07:07			
TURNOVER by ROIG,LULA	07:02			
	06:49			MISSED LAYUP by DAVENPORT,NAOMI
BLOCK by FIORAVANTI,AMANDA	06:49			
REBOUND (DEF) by FIORAVANTI,AMANDA	06:47			
MISSED JUMPER by WOODS,CHELSEA	06:20			
REBOUND (OFF) by WOODS,CHELSEA	06:20			
MISSED JUMPER by WOODS,CHELSEA	06:16			
	06:16			REBOUND (DEF) by MULDROW,TEANA
	06:10	6-0	H 6	GOOD! LAYUP by KING,KRISTINA [FB/PNT]
	06:10			ASSIST by RAY,CHANIA
MISSED JUMPER by GARNER,JARYN	05:43			
	05:43			REBOUND (DEF) by TEAM
	05:28	9-0	H 9	GOOD! 3PTR by PARDEE,KATRINA
	05:28			ASSIST by KING,KRISTINA
FOUL by MONAGHAN,ALYSSA	05:27			
TIMEOUT 30SEC	05:27			
	05:27	10-0	H 10	GOOD! FT by PARDEE,KATRINA
SUB IN: FRANKLYN,ADASHIA	05:27			
SUB OUT: ROIG,LULA	05:27			
GOOD! LAYUP by FRANKLYN,ADASHIA [PNT]	04:59	10-2	H 8	
ASSIST by WOODS,CHELSEA	04:59			
	04:40			MISSED JUMPER by PARDEE,KATRINA
	04:40			REBOUND (OFF) by MULDROW,TEANA
FOUL by GARNER,JARYN	04:38			
	04:28			TURNOVER by KING,KRISTINA
STEAL by MONAGHAN,ALYSSA	04:27			
MISSED JUMPER by FRANKLYN,ADASHIA	04:11			
	04:11			REBOUND (DEF) by MULDROW,TEANA
	04:05	12-2	H 10	GOOD! LAYUP by KING,KRISTINA [FB/PNT]
	04:05			ASSIST by RAY,CHANIA
FOUL by GARNER,JARYN	04:05			
	04:05	13-2	H 11	GOOD! FT by KING,KRISTINA
SUB IN: BAISDEN,KRISTALYN	04:05			
SUB OUT: GARNER,JARYN	04:05			
	04:05			SUB IN: JONES,ASHLEY
	04:05			SUB IN: HARDEN,DESTINY
	04:05			SUB OUT: DAVENPORT,NAOMI
	04:05			SUB OUT: KING,KRISTINA
TURNOVER by WOODS,CHELSEA	03:43			
	03:43			STEAL by RAY,CHANIA
	03:32	15-2	H 13	GOOD! LAYUP by MULDROW,TEANA [PNT]
	03:32			ASSIST by JONES,ASHLEY
MISSED LAYUP by FIORAVANTI,AMANDA	03:04			
	03:04			REBOUND (DEF) by PARDEE,KATRINA
	02:58			MISSED 3PTR by RAY,CHANIA

VISITORS: Saint Joseph's	Time	Score	Margin	HOME: West Virginia
REBOUND (DEF) by WOODS,CHELSEA	02:58			
GOOD! LAYUP by FRANKLYN,ADASHIA [PNT]	02:48	15-4	H 11	
ASSIST by WOODS,CHELSEA	02:48			
	02:36			MISSED 3PTR by RAY,CHANIA
REBOUND (DEF) by FIORAVANTI,AMANDA	02:36			
MISSED JUMPER by MONAGHAN,ALYSSA	02:24			
	02:24			REBOUND (DEF) by PARDEE,KATRINA
	02:07	17-4	H 13	GOOD! LAYUP by HARDEN,DESTINY [PNT]
	02:07			ASSIST by MULDROW,TEANA
TIMEOUT 30SEC	02:07			
	02:07			SUB IN: DAVENPORT,NAOMI
	02:07			SUB OUT: RAY,CHANIA
	01:50			FOUL by JONES,ASHLEY
GOOD! FT by MONAGHAN,ALYSSA	01:50	17-5	H 12	
GOOD! FT by MONAGHAN,ALYSSA	01:50	17-6	H 11	
	01:37			TURNOVER by HARDEN,DESTINY
	01:37			FOUL by HARDEN,DESTINY
	01:37			SUB IN: KING,KRISTINA
	01:37			SUB IN: EKHELAR,THERESA
	01:37			SUB OUT: MULDROW,TEANA
	01:37			SUB OUT: HARDEN,DESTINY
TURNOVER by FRANKLYN,ADASHIA	01:31			
	01:26			STEAL by DAVENPORT,NAOMI
	01:12			TURNOVER by EKHELAR,THERESA
	01:12			FOUL by EKHELAR,THERESA
GOOD! LAYUP by WOODS,CHELSEA [PNT]	01:03	17-8	H 9	
ASSIST by FIORAVANTI,AMANDA	01:03			
	01:01			TIMEOUT 30SEC
	00:51			MISSED JUMPER by DAVENPORT,NAOMI
	00:51			REBOUND (OFF) by EKHELAR,THERESA
	00:48			MISSED 3PTR by PARDEE,KATRINA
REBOUND (DEF) by FIORAVANTI,AMANDA	00:48			
TURNOVER by FIORAVANTI,AMANDA	00:36			
FOUL by FIORAVANTI,AMANDA	00:36			
	00:17			MISSED JUMPER by DAVENPORT,NAOMI
REBOUND (DEF) by FRANKLYN,ADASHIA	00:17			
GOOD! LAYUP by FRANKLYN,ADASHIA [PNT]	00:00	17-10	H 7	
ASSIST by FIORAVANTI,AMANDA	00:00			

Saint Joseph's 10, West Virginia 17

Period 1-only	In Paint	Off T/O	2nd Chance	Fast Break	Bench	
SJU	8	2	0	0	6	Score tied - 0 times
WVU	12	6	0	8	2	Lead changed - 0 times

**Saint Joseph's vs West Virginia**  
**3/18/2018; 2:00 p.m. at WVU Coliseum, Morgantown, W.Va.**  
**Period 2 Play-By-Play**



VISITORS: Saint Joseph's	Time	Score	Margin	HOME: West Virginia
SUB IN: FRANKLYN,ADASHIA	10:00			
SUB OUT: GARNER,JARYN	10:00			
	10:00			SUB IN: JONES,ASHLEY
	10:00			SUB OUT: DAVENPORT,NAOMI
TURNOVER by FIORAVANTI,AMANDA	09:44			
	09:42			STEAL by PARDEE,KATRINA
	09:41	19-10	H 9	GOOD! LAYUP by PARDEE,KATRINA [FB/PNT]
	09:11			FOUL by MULDROW,TEANA
GOOD! 3PTR by BAISDEN,KRISTALYN	08:55	19-13	H 6	
ASSIST by FRANKLYN,ADASHIA	08:55			
	08:42			SUB IN: DAVENPORT,NAOMI
	08:42			SUB OUT: JONES,ASHLEY
	08:30			MISSED LAYUP by MULDROW,TEANA
BLOCK by FRANKLYN,ADASHIA	08:30			
REBOUND (DEF) by FIORAVANTI,AMANDA	08:27			
MISSED 3PTR by MONAGHAN,ALYSSA	08:22			
	08:22			REBOUND (DEF) by TEAM
	07:57	21-13	H 8	GOOD! JUMPER by MULDROW,TEANA
MISSED 3PTR by MONAGHAN,ALYSSA	07:36			
	07:36			REBOUND (DEF) by DAVENPORT,NAOMI
	07:28	24-13	H 11	GOOD! 3PTR by DAVENPORT,NAOMI
	07:28			ASSIST by RAY,CHANIA
MISSED 3PTR by MONAGHAN,ALYSSA	07:06			
REBOUND (OFF) by WOODS,CHELSEA	07:06			
GOOD! LAYUP by WOODS,CHELSEA [PNT]	07:02	24-15	H 9	
	06:45	27-15	H 12	GOOD! 3PTR by DAVENPORT,NAOMI
	06:45			ASSIST by RAY,CHANIA
MISSED JUMPER by BAISDEN,KRISTALYN	06:21			
	06:21			REBOUND (DEF) by DAVENPORT,NAOMI
	06:11			TURNOVER by RAY,CHANIA
STEAL by WOODS,CHELSEA	06:09			
GOOD! LAYUP by FIORAVANTI,AMANDA [FB/PNT]	06:07	27-17	H 10	
ASSIST by WOODS,CHELSEA	06:07			
FOUL by FRANKLYN,ADASHIA	05:47			
	05:47	28-17	H 11	GOOD! FT by DAVENPORT,NAOMI
	05:47	29-17	H 12	GOOD! FT by DAVENPORT,NAOMI
	05:32			FOUL by RAY,CHANIA
GOOD! LAYUP by WOODS,CHELSEA [PNT]	05:18	29-19	H 10	
ASSIST by FRANKLYN,ADASHIA	05:18			
	04:56			MISSED JUMPER by KING,KRISTINA
REBOUND (DEF) by WOODS,CHELSEA	04:56			
TIMEOUT MEDIA	04:44			
SUB IN: GARNER,JARYN	04:44			
SUB OUT: FIORAVANTI,AMANDA	04:44			
	04:44			SUB IN: HARDEN,DESTINY
	04:44			SUB OUT: KING,KRISTINA
TURNOVER by WOODS,CHELSEA	04:31			
FOUL by WOODS,CHELSEA	04:31			
	04:08	31-19	H 12	GOOD! LAYUP by MULDROW,TEANA [PNT]
	04:08			ASSIST by DAVENPORT,NAOMI
TURNOVER by GARNER,JARYN	03:41			
	03:39			STEAL by PARDEE,KATRINA
	03:36			MISSED 3PTR by RAY,CHANIA
	03:36			REBOUND (OFF) by HARDEN,DESTINY
	03:29	33-19	H 14	GOOD! LAYUP by HARDEN,DESTINY [PNT]
MISSED LAYUP by FRANKLYN,ADASHIA	03:15			
	03:15			REBOUND (DEF) by DAVENPORT,NAOMI
	03:09			TURNOVER by RAY,CHANIA
SUB IN: FIORAVANTI,AMANDA	03:09			
SUB OUT: FRANKLYN,ADASHIA	03:09			
MISSED 3PTR by BAISDEN,KRISTALYN	02:55			
	02:55			REBOUND (DEF) by DAVENPORT,NAOMI
	02:41			MISSED 3PTR by PARDEE,KATRINA
REBOUND (DEF) by GARNER,JARYN	02:41			
TURNOVER by BAISDEN,KRISTALYN	02:19			
	02:04			TURNOVER by DAVENPORT,NAOMI
STEAL by BAISDEN,KRISTALYN	02:03			
TURNOVER by WOODS,CHELSEA	01:48			
	01:47			STEAL by RAY,CHANIA

<b>VISITORS: Saint Joseph's</b>	<b>Time</b>	<b>Score</b>	<b>Margin</b>	<b>HOME: West Virginia</b>
	01:43			MISSED LAYUP by RAY,CHANIA
	01:43			REBOUND (OFF) by MULDROW,TEANA
FOUL by BAISDEN,KRISTALYN	01:41			
	01:41	34-19	H 15	GOOD! FT by MULDROW,TEANA
	01:41	35-19	H 16	GOOD! FT by MULDROW,TEANA
	01:41			SUB IN: KING,KRISTINA
	01:41			SUB OUT: HARDEN,DESTINY
GOOD! 3PTR by MONAGHAN,ALYSSA	01:22	35-22	H 13	
ASSIST by WOODS,CHELSEA	01:22			
	01:10	37-22	H 15	GOOD! LAYUP by KING,KRISTINA [PNT]
MISSED LAYUP by FIORAVANTI,AMANDA	00:39			
	00:39			REBOUND (DEF) by RAY,CHANIA
	00:15			SUB IN: JONES,ASHLEY
	00:15			SUB OUT: DAVENPORT,NAOMI
	00:14			TURNOVER by PARDEE,KATRINA
MISSED JUMPER by MONAGHAN,ALYSSA	00:02			
REBOUND (OFF) by WOODS,CHELSEA	00:02			
MISSED JUMPER by WOODS,CHELSEA	00:00			
REBOUND (OFF) by GARNER,JARYN	00:00			

Saint Joseph's 22, West Virginia 37

<b>Period 2-only</b>	<b>In Paint</b>	<b>Off T/O</b>	<b>2nd Chance</b>	<b>Fast Break</b>	<b>Bench</b>	
SJU	6	2	2	2	0	Score tied - 0 times
WVU	8	8	4	2	2	Lead changed - 0 times

**Official Basketball Box Score -- Game Totals -- Second Half Statistics**  
**Saint Joseph's vs West Virginia**  
 3/18/2018 2:00 p.m. at WVU Coliseum, Morgantown, W.Va.



**Saint Joseph's 29 • 19-15**

##	Player		Total		3-Ptr	Rebounds			PF	TP	A	TO	Blk	Stl	Min
			FG-FGA	FG-FGA	FT-FTA	Off	Def	Tot							
04	BAISDEN, KRISTALYN	g	2-4	2-3	0-0	0	0	0	1	6	0	1	0	2	17
12	MONAGHAN, ALYSSA	g	2-3	0-1	2-2	0	2	2	0	6	3	1	0	0	18
31	GARNER, JARYN	g	0-2	0-0	0-0	0	0	0	3	0	0	0	0	11	
32	WOODS, CHELSEA	g	4-5	0-0	1-2	0	2	2	1	9	1	2	0	18	
34	FIORAVANTI, AMANDA	f	2-3	0-0	2-2	0	0	0	3	6	1	3	1	12	
01	FISHER, WHISPER		0-0	0-0	0-0	0	1	1	0	0	0	0	0	2	
02	ROIG, LULA		0-1	0-0	0-0	0	0	0	0	0	0	0	0	2	
11	MARZ, AVERY		0-0	0-0	0-0	0	0	0	0	0	0	0	0	2	
33	FRANKLYN, ADASHIA		1-3	0-0	0-0	1	1	2	2	2	0	2	1	12	
35	CLAY, MICHALA		0-0	0-0	0-0	0	0	0	0	0	0	1	0	3	
40	BELVEDERE, CANDACE		0-0	0-0	0-0	0	0	0	0	0	0	1	0	3	
TEAM						1	0	1	0		0				
<b>Totals</b>			<b>11-21</b>	<b>2-4</b>	<b>5-6</b>	<b>2</b>	<b>6</b>	<b>8</b>	<b>10</b>	<b>29</b>	<b>5</b>	<b>11</b>	<b>2</b>	<b>4</b>	<b>100</b>
FG %	3rd Qtr	6-11	54.5%	4th Qtr	5-10	50.0%	Half:	11-21	52.4%						
3FG %	3rd Qtr	1-2	50.0%	4th Qtr	1-2	50.0%	Half:	2-4	33.3%						
FT %	3rd Qtr	5-6	83.3%	4th Qtr	0-0	0%	Half:	5-6	83.3%						

**West Virginia 42 • 22-12**

##	Player		Total		3-Ptr	Rebounds			PF	TP	A	TO	Blk	Stl	Min
			FG-FGA	FG-FGA	FT-FTA	Off	Def	Tot							
00	DAVENPORT, NAOMI	g	2-3	0-0	6-7	0	1	1	2	10	2	0	0	0	18
11	MULDROW, TEANA	f	1-2	0-0	2-2	0	5	5	2	4	1	2	0	1	15
12	RAY, CHANIA	g	1-3	1-3	0-0	0	0	0	1	3	4	2	0	0	17
13	KING, KRISTINA	f	3-3	0-0	0-0	0	1	1	1	6	0	1	0	2	12
22	PARDEE, KATRINA	g	2-4	1-1	2-2	0	0	0	1	7	0	1	0	0	16
01	JONES, ASHLEY		2-3	2-3	0-0	0	1	1	0	6	0	1	0	0	5
03	HARDEN, DESTINY		2-3	0-0	0-0	1	0	1	0	4	0	0	0	0	8
04	STAPLES, NIA		0-1	0-0	0-0	1	0	1	0	0	1	0	0	1	3
34	EKHELAR, THERESA		1-2	0-0	0-0	1	1	2	1	2	0	1	0	0	6
TEAM						1	0	1	0		0				
<b>Totals</b>			<b>14-24</b>	<b>4-7</b>	<b>10-11</b>	<b>4</b>	<b>9</b>	<b>13</b>	<b>8</b>	<b>42</b>	<b>8</b>	<b>8</b>	<b>0</b>	<b>4</b>	<b>100</b>
FG %	3rd Qtr	5-8	62.5%	4th Qtr	9-16	56.3%	Half:	14-24	58.3%						
3FG %	3rd Qtr	0-1	00.0%	4th Qtr	4-6	66.7%	Half:	4-7	30.0%						
FT %	3rd Qtr	8-9	88.9%	4th Qtr	2-2	100.0%	Half:	10-11	90.9%						

Officials: Angela Enlund, Josh Howell, Marta Gearhart  
 Technical Fouls: Saint Joseph's- None. West Virginia- None.  
 Garner (SJU) fouled out with 3:15 remaining in the game.

Score by periods	1st	2nd	3rd	4th	Total
Saint Joseph's	10	12	18	11	<b>51</b>
West Virginia	17	20	18	24	<b>79</b>

Points	In Paint	Off T/O	2nd Chance	Fast Break	Bench
SJU	14	8	0	4	2
	14	18	10	8	12

Last FG - SJU 4th-03:32, WVU 4th-00:10.  
 SJU led for 0:00. WVU led for 20:00. Game was tied for 0:00.

Score tied - 0 times  
 Lead changed - 0 times



**Saint Joseph's vs West Virginia**  
**3/18/2018; 2:00 p.m. at WVU Coliseum, Morgantown, W.Va.**  
**Period 3 Play-By-Play**



VISITORS: Saint Joseph's	Time	Score	Margin	HOME: West Virginia
	09:43			TURNOVER by KING,KRISTINA
STEAL by BAISDEN,KRISTALYN	09:42			
GOOD! LAYUP by FIORAVANTI,AMANDA [PNT]	09:21	37-24	H 13	
FOUL by WOODS,CHELSEA	08:58			
	08:58	38-24	H 14	GOOD! FT by MULDRROW,TEANA
	08:58	39-24	H 15	GOOD! FT by MULDRROW,TEANA
	08:39			FOUL by MULDRROW,TEANA
GOOD! FT by FIORAVANTI,AMANDA	08:39	39-25	H 14	
GOOD! FT by FIORAVANTI,AMANDA	08:39	39-26	H 13	
FOUL by BAISDEN,KRISTALYN	08:16			
	08:16	40-26	H 14	GOOD! FT by DAVENPORT,NAOMI
	08:16	41-26	H 15	GOOD! FT by DAVENPORT,NAOMI
TURNOVER by MONAGHAN,ALYSSA	08:04			
	08:02			STEAL by KING,KRISTINA
	08:00	43-26	H 17	GOOD! LAYUP by KING,KRISTINA [FB/PNT]
MISSED JUMPER by GARNER,JARYN	07:37			
	07:37			REBOUND (DEF) by MULDRROW,TEANA
	07:26			TURNOVER by MULDRROW,TEANA
	07:15			FOUL by DAVENPORT,NAOMI
TURNOVER by FIORAVANTI,AMANDA	07:00			
	06:43	45-26	H 19	GOOD! LAYUP by DAVENPORT,NAOMI [PNT]
TIMEOUT 30SEC	06:35			
SUB IN: FRANKLYN,ADASHIA	06:35			
SUB OUT: GARNER,JARYN	06:35			
	06:20			FOUL by KING,KRISTINA
GOOD! FT by WOODS,CHELSEA	06:20	45-27	H 18	
MISSED FT by WOODS,CHELSEA	06:20			
	06:20			REBOUND (DEF) by MULDRROW,TEANA
FOUL by FIORAVANTI,AMANDA	06:07			
	06:07	46-27	H 19	GOOD! FT by DAVENPORT,NAOMI
	06:07	47-27	H 20	GOOD! FT by DAVENPORT,NAOMI
GOOD! 3PTR by BAISDEN,KRISTALYN	05:47	47-30	H 17	
ASSIST by FIORAVANTI,AMANDA	05:47			
FOUL by FRANKLYN,ADASHIA	05:25			
	05:19			MISSED LAYUP by PARDEE,KATRINA
REBOUND (DEF) by WOODS,CHELSEA	05:19			
MISSED LAYUP by FIORAVANTI,AMANDA	05:00			
REBOUND (OFF) by FRANKLYN,ADASHIA	05:00			
MISSED JUMPER by FRANKLYN,ADASHIA	04:56			
	04:56			REBOUND (DEF) by KING,KRISTINA
	04:48	49-30	H 19	GOOD! LAYUP by KING,KRISTINA [FB/PNT]
	04:48			ASSIST by RAY,CHANIA
	04:31			FOUL by PARDEE,KATRINA
TIMEOUT MEDIA	04:31			
TURNOVER by FRANKLYN,ADASHIA	04:29			
	04:11	51-30	H 21	GOOD! LAYUP by MULDRROW,TEANA [PNT]
	04:11			ASSIST by RAY,CHANIA
MISSED 3PTR by MONAGHAN,ALYSSA	03:47			
	03:47			REBOUND (DEF) by MULDRROW,TEANA
	03:23			TURNOVER by PARDEE,KATRINA
STEAL by FIORAVANTI,AMANDA	03:22			
	03:16			FOUL by RAY,CHANIA
GOOD! FT by MONAGHAN,ALYSSA	03:16	51-31	H 20	
GOOD! FT by MONAGHAN,ALYSSA	03:16	51-32	H 19	
	03:16			SUB IN: HARDEN,DESTINY
	03:16			SUB IN: JONES,ASHLEY
	03:16			SUB OUT: KING,KRISTINA
	03:16			SUB OUT: PARDEE,KATRINA
	03:03			MISSED JUMPER by DAVENPORT,NAOMI
REBOUND (DEF) by WOODS,CHELSEA	03:03			
GOOD! LAYUP by WOODS,CHELSEA [PNT]	02:49	51-34	H 17	
	02:15			MISSED 3PTR by RAY,CHANIA
REBOUND (DEF) by MONAGHAN,ALYSSA	02:15			
GOOD! LAYUP by FRANKLYN,ADASHIA [FB/PNT]	02:06	51-36	H 15	
ASSIST by MONAGHAN,ALYSSA	02:06			
	01:51			TURNOVER by JONES,ASHLEY
STEAL by FIORAVANTI,AMANDA	01:49			
GOOD! LAYUP by WOODS,CHELSEA [FB/PNT]	01:45	51-38	H 13	
ASSIST by MONAGHAN,ALYSSA	01:45			

VISITORS: Saint Joseph's	Time	Score	Margin	HOME: West Virginia
FOUL by FIORAVANTI,AMANDA	01:30			
	01:30			MISSED FT by DAVENPORT,NAOMI
	01:30			REBOUND (DEADB) by TEAM
	01:30	52-38	H 14	GOOD! FT by DAVENPORT,NAOMI
	01:30			SUB IN: PARDEE,KATRINA
	01:30			SUB IN: KING,KRISTINA
	01:30			SUB IN: EKHELAR,THERESA
	01:30			SUB OUT: MULDROW,TEANA
	01:30			SUB OUT: HARDEN,DESTINY
	01:30			SUB OUT: JONES,ASHLEY
MISSED JUMPER by WOODS,CHELSEA	01:10			
	01:10			REBOUND (DEF) by EKHELAR,THERESA
	01:03			TURNOVER by RAY,CHANIA
TURNOVER by FIORAVANTI,AMANDA	00:51			
FOUL by FIORAVANTI,AMANDA	00:51			
SUB IN: GARNER,JARYN	00:51			
SUB OUT: FIORAVANTI,AMANDA	00:51			
	00:30	54-38	H 16	GOOD! JUMPER by DAVENPORT,NAOMI
FOUL by GARNER,JARYN	00:30			
	00:30	55-38	H 17	GOOD! FT by DAVENPORT,NAOMI
GOOD! LAYUP by WOODS,CHELSEA [PNT]	00:04	55-40	H 15	

Saint Joseph's 51, West Virginia 79

Period 3-only	In Paint	Off T/O	2nd Chance	Fast Break	Bench	
SJU	10	6	0	4	2	Score tied - 0 times
WVU	8	9	0	4	0	Lead changed - 0 times

**Saint Joseph's vs West Virginia**  
**3/18/2018; 2:00 p.m. at WVU Coliseum, Morgantown, W.Va.**  
**Period 4 Play-By-Play**



VISITORS: Saint Joseph's	Time	Score	Margin	HOME: West Virginia
SUB IN: FRANKLYN,ADASHIA	10:00			
SUB OUT: FIORAVANTI,AMANDA	10:00			
MISSED JUMPER by GARNER,JARYN	09:50			
	09:50			REBOUND (DEF) by MULDROW,TEANA
	09:43	58-40	H 18	GOOD! 3PTR by PARDEE,KATRINA
	09:43			ASSIST by RAY,CHANIA
GOOD! 3PTR by BAISDEN,KRISTALYN	09:19	58-43	H 15	
ASSIST by WOODS,CHELSEA	09:19			
	09:10	60-43	H 17	GOOD! LAYUP by KING,KRISTINA [FB/PNT]
	09:10			ASSIST by MULDROW,TEANA
MISSED JUMPER by BAISDEN,KRISTALYN	08:49			
	08:49			REBOUND (DEF) by MULDROW,TEANA
	08:41			TURNOVER by MULDROW,TEANA
	08:41			FOUL by MULDROW,TEANA
GOOD! JUMPER by WOODS,CHELSEA	08:40	60-45	H 15	
ASSIST by MONAGHAN,ALYSSA	08:40			
	08:18	63-45	H 18	GOOD! 3PTR by RAY,CHANIA
	08:18			ASSIST by DAVENPORT,NAOMI
MISSED JUMPER by FRANKLYN,ADASHIA	07:44			
REBOUND (OFF) by TEAM	07:44			
TURNOVER by WOODS,CHELSEA	07:41			
	07:41			STEAL by KING,KRISTINA
FOUL by GARNER,JARYN	07:40			
	07:22	65-45	H 20	GOOD! JUMPER by PARDEE,KATRINA
TURNOVER by BAISDEN,KRISTALYN	06:55			
	06:36			MISSED 3PTR by RAY,CHANIA
REBOUND (DEF) by FRANKLYN,ADASHIA	06:36			
GOOD! JUMPER by MONAGHAN,ALYSSA	06:22	65-47	H 18	
FOUL by FRANKLYN,ADASHIA	05:50			
	05:50	66-47	H 19	GOOD! FT by PARDEE,KATRINA
	05:50	67-47	H 20	GOOD! FT by PARDEE,KATRINA
SUB IN: FIORAVANTI,AMANDA	05:50			
SUB OUT: FRANKLYN,ADASHIA	05:50			
	05:50			SUB IN: HARDEN,DESTINY
	05:50			SUB OUT: KING,KRISTINA
	05:30			FOUL by DAVENPORT,NAOMI
	05:30			SUB IN: JONES,ASHLEY
	05:30			SUB OUT: DAVENPORT,NAOMI
GOOD! LAYUP by MONAGHAN,ALYSSA [PNT]	05:22	67-49	H 18	
	05:00			MISSED JUMPER by MULDROW,TEANA
	05:00			REBOUND (OFF) by HARDEN,DESTINY
	04:56	69-49	H 20	GOOD! JUMPER by HARDEN,DESTINY
TURNOVER by WOODS,CHELSEA	04:33			
	04:32			STEAL by MULDROW,TEANA
	04:28	71-49	H 22	GOOD! LAYUP by HARDEN,DESTINY [FB/PNT]
	04:28			ASSIST by RAY,CHANIA
TIMEOUT 30SEC	04:27			
	04:27			SUB IN: DAVENPORT,NAOMI
	04:27			SUB IN: EKHELAR,THERESA
	04:27			SUB OUT: JONES,ASHLEY
	04:27			SUB OUT: MULDROW,TEANA
TURNOVER by FIORAVANTI,AMANDA	04:14			
	03:51			MISSED JUMPER by HARDEN,DESTINY
BLOCK by FIORAVANTI,AMANDA	03:51			
REBOUND (DEF) by MONAGHAN,ALYSSA	03:49			
	03:41			FOUL by EKHELAR,THERESA
GOOD! LAYUP by FIORAVANTI,AMANDA [PNT]	03:32	71-51	H 20	
	03:24			TURNOVER by RAY,CHANIA
STEAL by BAISDEN,KRISTALYN	03:23			
MISSED 3PTR by BAISDEN,KRISTALYN	03:19			
	03:19			REBOUND (DEF) by DAVENPORT,NAOMI
FOUL by GARNER,JARYN	03:15			
SUB IN: FRANKLYN,ADASHIA	03:15			
SUB OUT: GARNER,JARYN	03:15			
	03:15			SUB IN: JONES,ASHLEY
	03:15			SUB OUT: RAY,CHANIA
	03:01			TURNOVER by EKHELAR,THERESA
TURNOVER by FRANKLYN,ADASHIA	02:53			
	02:31			MISSED LAYUP by PARDEE,KATRINA

VISITORS: Saint Joseph's	Time	Score	Margin	HOME: West Virginia
BLOCK by FRANKLYN,ADASHIA	02:31			
	02:31			REBOUND (OFF) by TEAM
SUB IN: MARZ ,AVERY	02:30			
SUB IN: BELVEDERE,CANDACE	02:30			
SUB IN: CLAY,MICHALA	02:30			
SUB IN: ROIG,LULA	02:30			
SUB IN: FISHER,WHISPER	02:30			
SUB OUT: BAISDEN,KRISTALYN	02:30			
SUB OUT: MONAGHAN,ALYSSA	02:30			
SUB OUT: FRANKLYN,ADASHIA	02:30			
SUB OUT: WOODS,CHELSEA	02:30			
SUB OUT: FIORAVANTI,AMANDA	02:30			
	02:30			SUB IN: STAPLES,NIA
	02:30			SUB OUT: PARDEE,KATRINA
	02:23	74-51	H 23	GOOD! 3PTR by JONES,ASHLEY
	02:23			ASSIST by STAPLES,NIA
TURNOVER by CLAY,MICHALA	02:04			
	01:45			MISSED LAYUP by EKHELAR,THERESA
REBOUND (DEF) by FISHER,WHISPER	01:45			
MISSED JUMPER by ROIG,LULA	01:21			
	01:21			REBOUND (DEF) by JONES,ASHLEY
	01:10			MISSED LAYUP by STAPLES,NIA
	01:10			REBOUND (OFF) by STAPLES,NIA
	00:59	77-51	H 26	GOOD! 3PTR by JONES,ASHLEY
	00:59			ASSIST by DAVENPORT,NAOMI
TURNOVER by BELVEDERE,CANDACE	00:38			
	00:37			STEAL by STAPLES,NIA
	00:13			MISSED 3PTR by JONES,ASHLEY
	00:13			REBOUND (OFF) by EKHELAR,THERESA
	00:10	79-51	H 28	GOOD! LAYUP by EKHELAR,THERESA [PNT]

Saint Joseph's 51, West Virginia 79

Period 4-only	In Paint	Off T/O	2nd Chance	Fast Break	Bench	
SJU	4	2	0	0	0	Score tied - 0 times
WVU	6	9	10	4	12	Lead changed - 0 times

**Saint Joseph's vs West Virginia**  
**3/18/2018; 2:00 p.m. at WVU Coliseum, Morgantown, W.Va.**  
**Scoring/Runs Reference**



**Period 1**

Saint Joseph's	VRun	Score	Margin	HRun	West Virginia
		0-2	2		PARDEE LAYUP [P] [F] - 07:49
		0-4	4	NaN-0	KING LAYUP [P] [F] - 07:22
		0-6	6	NaN-0	KING LAYUP [P] [F] - 06:10
		0-9	9	NaN-0	PARDEE 3PTR - 05:28
		0-10	10	NaN-0	PARDEE FT - 05:27
04:59 - FRANKLYN LAYUP [P]	-	2-10	8		
		2-12	10		KING LAYUP [P] [F] - 04:05
		2-13	11	3-0	KING FT - 04:05
		2-15	13	5-0	MULDROW LAYUP [P] - 03:32
02:48 - FRANKLYN LAYUP [P]	-	4-15	11		
		4-17	13		HARDEN LAYUP [P] - 02:07
01:50 - MONAGHAN FT	-	5-17	12		
01:50 - MONAGHAN FT	2-0	6-17	11		
01:03 - WOODS LAYUP [P]	4-0	8-17	9		
00:00 - FRANKLYN LAYUP [P]	6-0	10-17	7		

**Saint Joseph's vs West Virginia**  
**3/18/2018; 2:00 p.m. at WVU Coliseum, Morgantown, W.Va.**  
**Scoring/Runs Reference**



**Period 2**

Saint Joseph's	VRun	Score	Margin	HRun	West Virginia
		10-19	9		PARDEE LAYUP [P] [F] - 09:41
08:55 - BAISDEN 3PTR	-	13-19	6		
		13-21	8		MULDROW JUMPER - 07:57
		13-24	11	5-0	DAVENPORT 3PTR - 07:28
07:02 - WOODS LAYUP [P]	-	15-24	9		
		15-27	12		DAVENPORT 3PTR - 06:45
06:07 - FIORAVANTI LAYUP [P] [F]	-	17-27	10		
		17-28	11		DAVENPORT FT - 05:47
		17-29	12	2-0	DAVENPORT FT - 05:47
05:18 - WOODS LAYUP [P]	-	19-29	10		
		19-31	12		MULDROW LAYUP [P] - 04:08
		19-33	14	4-0	HARDEN LAYUP [P] - 03:29
		19-34	15	5-0	MULDROW FT - 01:41
		19-35	16	6-0	MULDROW FT - 01:41
01:22 - MONAGHAN 3PTR	-	22-35	13		
		22-37	15		KING LAYUP [P] - 01:10

**Saint Joseph's vs West Virginia**  
**3/18/2018; 2:00 p.m. at WVU Coliseum, Morgantown, W.Va.**  
**Scoring/Runs Reference**



**Period 3**

Saint Joseph's	VRun	Score	Margin	HRun	West Virginia
09:21 - FIORAVANTI LAYUP [P]	-	24-37	13		
		24-38	14		MULDROW FT - 08:58
		24-39	15	2-0	MULDROW FT - 08:58
08:39 - FIORAVANTI FT	-	25-39	14		
08:39 - FIORAVANTI FT	2-0	26-39	13		
		26-40	14		DAVENPORT FT - 08:16
		26-41	15	2-0	DAVENPORT FT - 08:16
		26-43	17	4-0	KING LAYUP [P] [F] - 08:00
		26-45	19	6-0	DAVENPORT LAYUP [P] - 06:43
06:20 - WOODS FT	-	27-45	18		
		27-46	19		DAVENPORT FT - 06:07
		27-47	20	2-0	DAVENPORT FT - 06:07
05:47 - BAISDEN 3PTR	-	30-47	17		
		30-49	19		KING LAYUP [P] [F] - 04:48
		30-51	21	4-0	MULDROW LAYUP [P] - 04:11
03:16 - MONAGHAN FT	-	31-51	20		
03:16 - MONAGHAN FT	2-0	32-51	19		
02:49 - WOODS LAYUP [P]	4-0	34-51	17		
02:06 - FRANKLYN LAYUP [P] [F]	6-0	36-51	15		
01:45 - WOODS LAYUP [P] [F]	8-0	38-51	13		
		38-52	14		DAVENPORT FT - 01:30
		38-54	16	3-0	DAVENPORT JUMPER - 00:30
		38-55	17	4-0	DAVENPORT FT - 00:30
00:04 - WOODS LAYUP [P]	-	40-55	15		

**Saint Joseph's vs West Virginia**  
**3/18/2018; 2:00 p.m. at WVU Coliseum, Morgantown, W.Va.**  
**Scoring/Runs Reference**



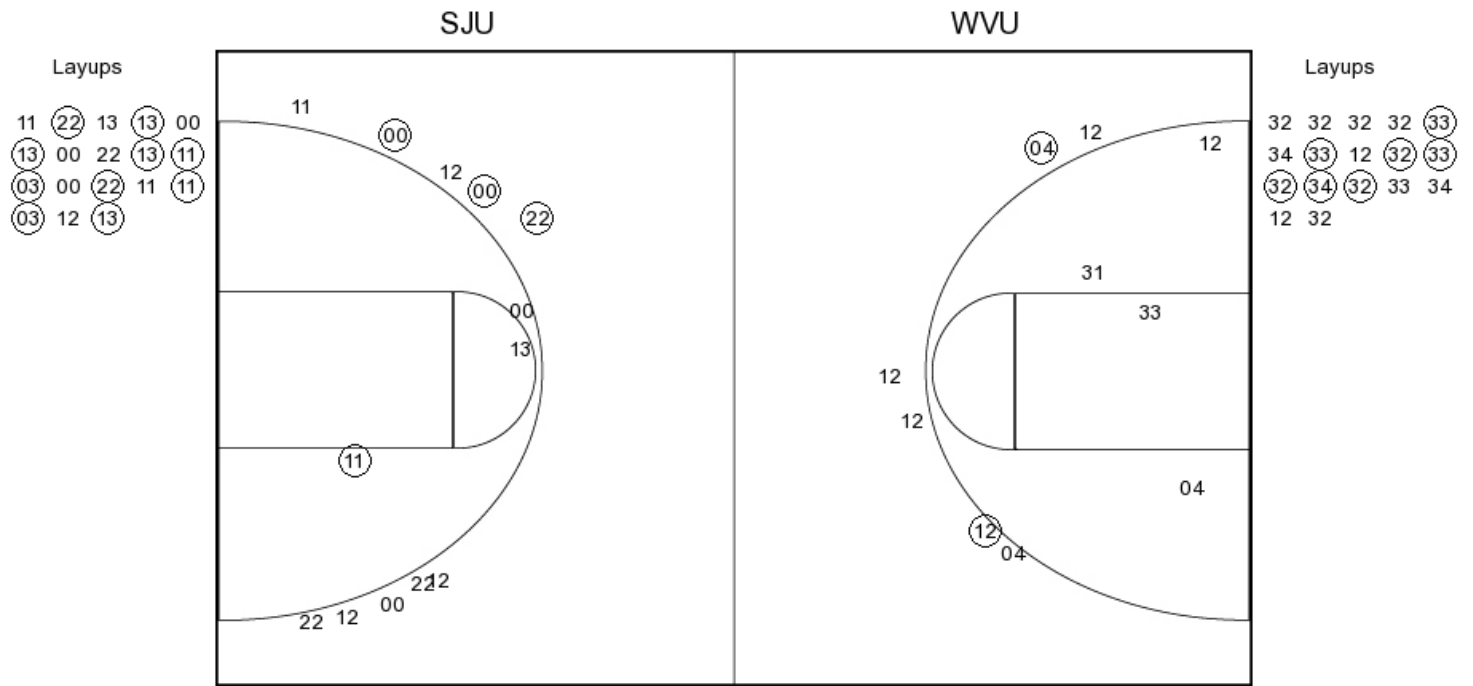
**Period 4**

Saint Joseph's	VRun	Score	Margin	HRun	West Virginia
		40-58	18		PARDEE 3PTR - 09:43
09:19 - BAISDEN 3PTR	-	43-58	15		
		43-60	17		KING LAYUP [P] [F] - 09:10
08:40 - WOODS JUMPER	-	45-60	15		
		45-63	18		RAY 3PTR - 08:18
		45-65	20	5-0	PARDEE JUMPER - 07:22
06:22 - MONAGHAN JUMPER	-	47-65	18		
		47-66	19		PARDEE FT - 05:50
		47-67	20	2-0	PARDEE FT - 05:50
05:22 - MONAGHAN LAYUP [P]	-	49-67	18		
		49-69	20		HARDEN JUMPER - 04:56
		49-71	22	4-0	HARDEN LAYUP [P] [F] - 04:28
03:32 - FIORAVANTI LAYUP [P]	-	51-71	20		
		51-74	23		JONES 3PTR - 02:23
		51-77	26	6-0	JONES 3PTR - 00:59
		51-79	28	8-0	EKHELAR LAYUP [P] - 00:10





**PERIOD 1**



**SJU PERIOD 1**

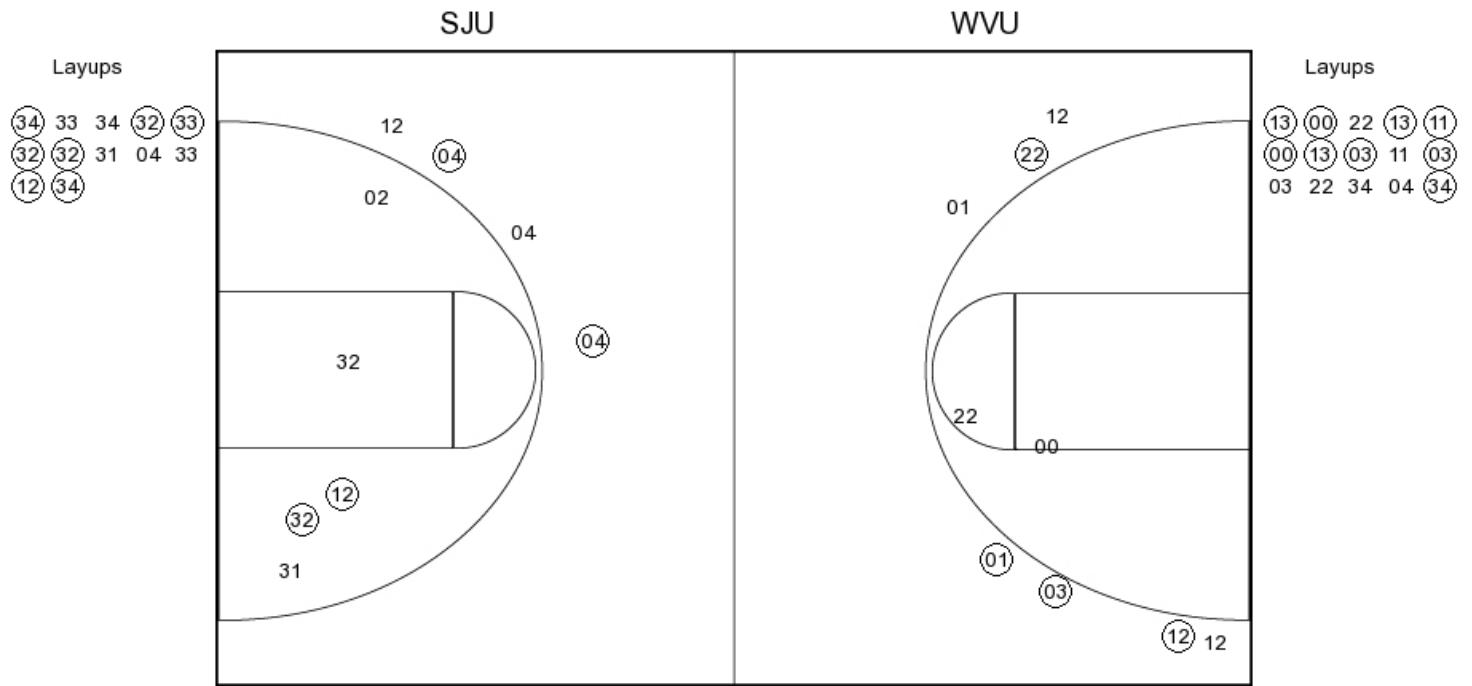
FG Made	9
FG Attempted	27
3PFG Made	2
3PFG Attempted	6

**WVU PERIOD 1**

FG Made	14
FG Attempted	31
3PFG Made	3
3PFG Attempted	10



**PERIOD 2**



**SJU PERIOD 2**

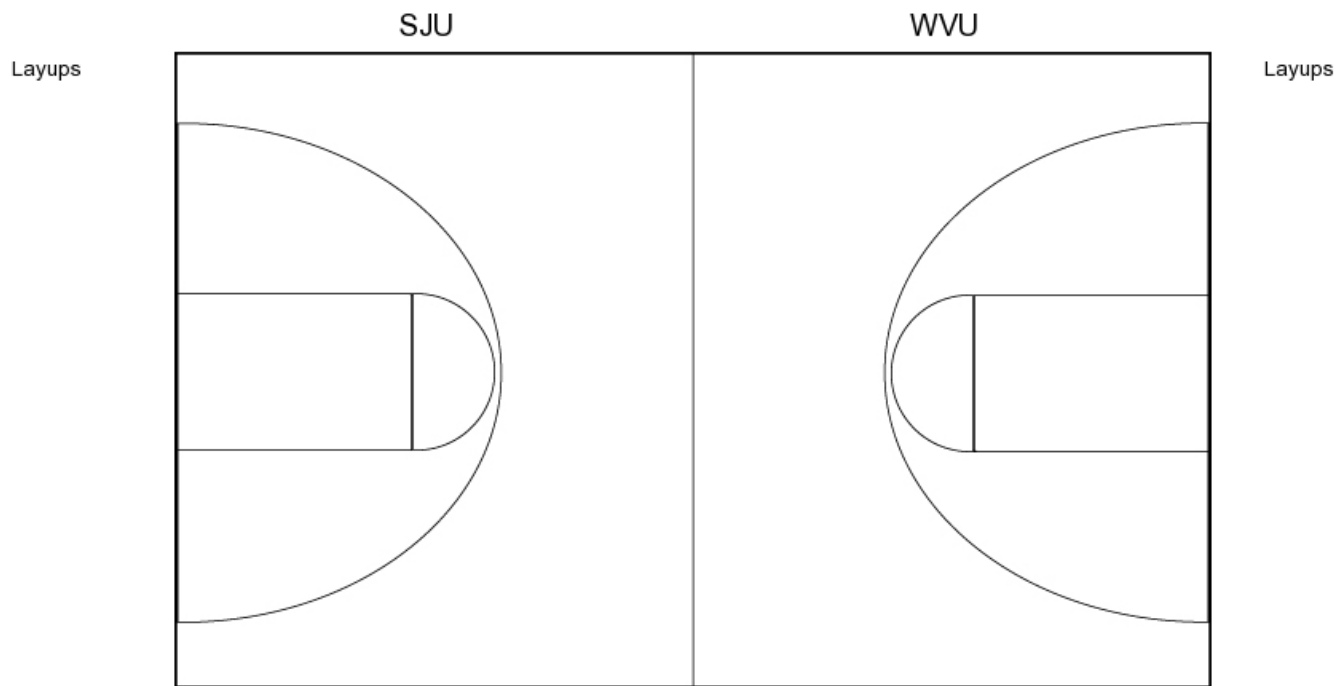
FG Made  
 FG Attempted  
 3PFG Made  
 3PFG Attempted

**WVU PERIOD 2**

FG Made  
 FG Attempted  
 3PFG Made  
 3PFG Attempted



**PERIOD 3**



**SJU PERIOD 3**

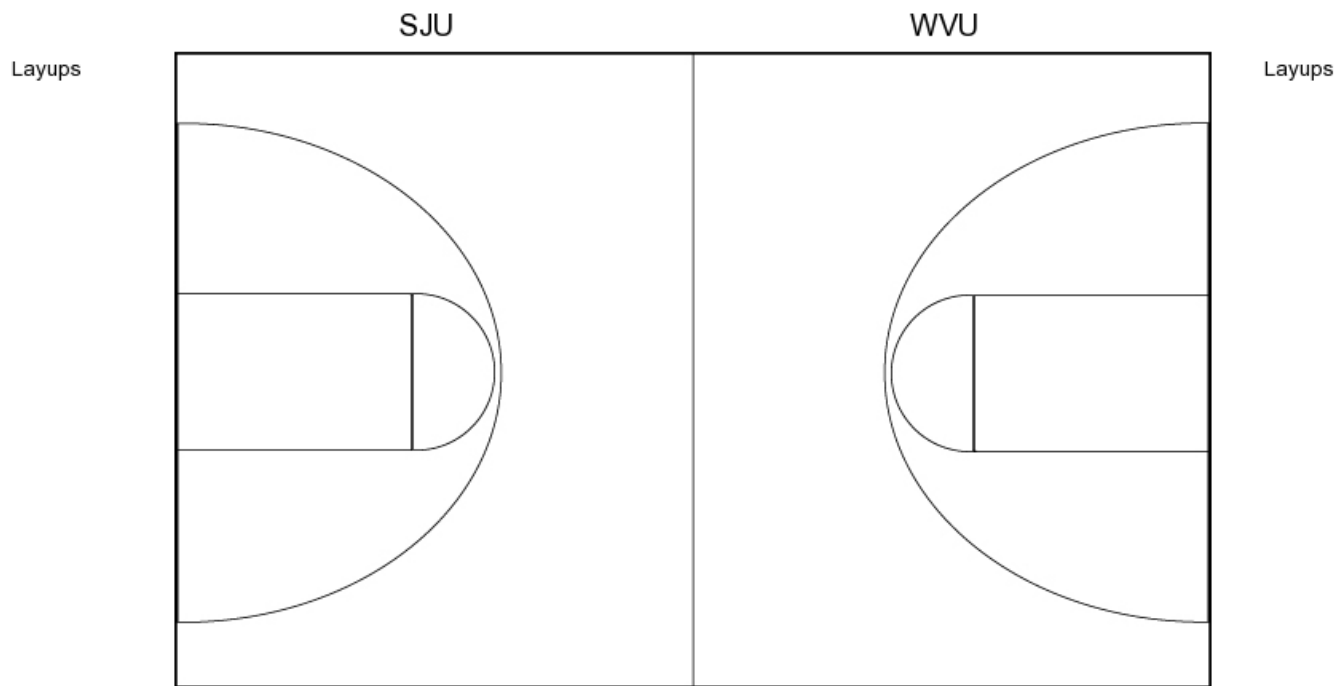
FG Made	11
FG Attempted	21
3PFG Made	2
3PFG Attempted	4

**WVU PERIOD 3**

FG Made	14
FG Attempted	24
3PFG Made	4
3PFG Attempted	7



**PERIOD 4**



**SJU PERIOD 4**

FG Made  
FG Attempted  
3PFG Made  
3PFG Attempted

**WVU PERIOD 4**

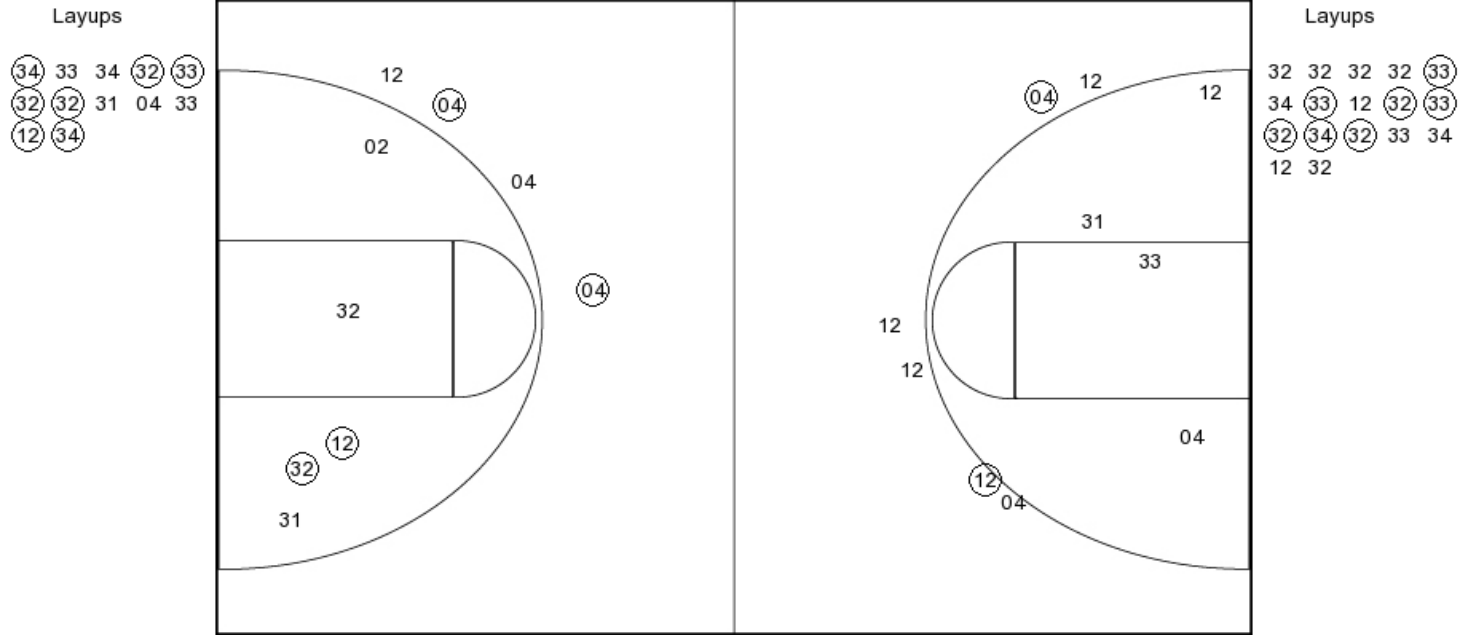
FG Made  
FG Attempted  
3PFG Made  
3PFG Attempted



Saint Joseph's

PERIOD 2

PERIOD 1



**SJU PERIOD 1**

FG Made	9
FG Attempted	27
3PFG Made	2
3PFG Attempted	6

**SJU PERIOD 2**

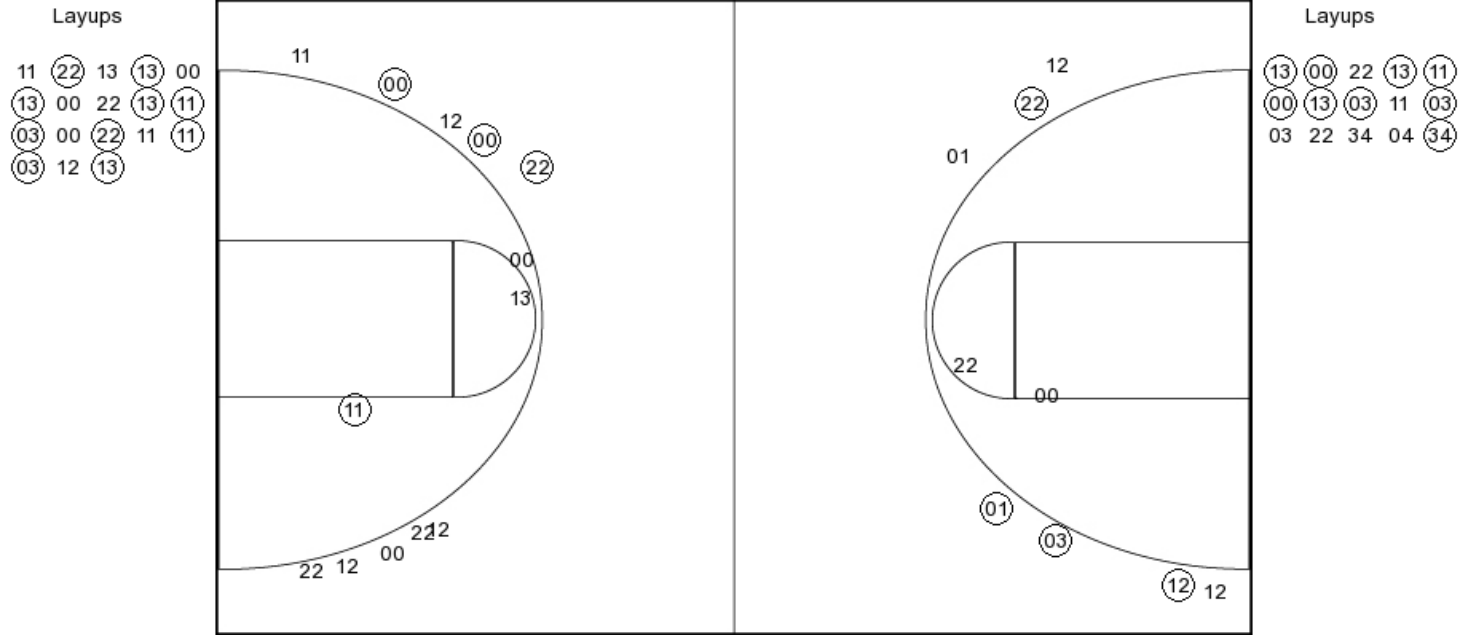
FG Made	
FG Attempted	
3PFG Made	
3PFG Attempted	



West Virginia

PERIOD 1

PERIOD 2



**WVU PERIOD 1**

FG Made	14
FG Attempted	31
3PFG Made	3
3PFG Attempted	10

**WVU PERIOD 2**

FG Made	
FG Attempted	
3PFG Made	
3PFG Attempted	