

FINAL SCORE



Georgia

12-2, 0-1 SEC

81



Vanderbilt

4-11, 0-1 SEC

52

January 04, 2018 • Nashville, Tenn.(Memorial Gym)

FINAL STATISTICS

Official Basketball Box Score -- Game Totals -- Final Statistics
 Georgia vs Vanderbilt
 1/4/2018 7 PM at Nashville, Tenn.(Memorial Gym)



Georgia 81 - 12-2, 0-1 SEC

##	Player	g/f	Total			3-Ptr			Rebounds			PF	TP	A	TO	Blk	Stl	Min
			FG-FGA	FG-FGA	FT-FTA	FG-FGA	FG-FGA	FT-FTA	Off	Def	Tot							
00	COLE,TAJA	g	3-6	0-0	0-0	1	3	4	0	6	6	1	0	0	0	26		
04	ROBINSON,CALIYA	f	7-12	0-2	2-2	2	5	7	2	16	0	4	3	5	20			
12	CLARK,HALEY	g	2-6	0-0	0-0	0	1	1	1	4	0	3	0	1	24			
23	MORRISON,QUE	g	3-9	0-5	2-3	4	2	6	1	8	3	0	0	0	26			
33	ENGRAM,MACKENZIE	f	2-5	0-0	2-2	1	0	1	4	6	1	2	0	1	15			
02	CONNALLY,GABBY		3-7	2-4	0-0	1	0	1	2	8	0	1	0	0	15			
03	PAUL,STEPHANIE		8-10	1-1	1-2	1	3	4	4	18	1	2	0	1	27			
11	CALDWELL,MAYA		0-3	0-0	0-0	0	1	1	0	0	1	1	0	1	11			
24	COSTA,SIMONE		3-5	1-3	2-2	3	1	4	2	9	1	0	0	1	17			
25	HENDERSON,ARI		0-0	0-0	0-0	0	1	1	0	0	0	0	0	0	2			
44	BATES,MALURY		0-3	0-0	2-2	0	7	7	2	2	0	3	3	1	7			
51	BLANARU,BIANCA		2-2	0-0	0-0	1	0	1	1	4	0	2	1	0	10			
TEAM						1	2	3	0									
TOTALS			33-68	4-15	11-13	15	26	41	19	81	13	19	7	11	200			

Deadball Rebounds: 2,0

FG %	1st Half:	18-34	52.9%	2nd Half:	15-34	44.1%	Game:	33-68	48.5%					
	1st Qtr	9-19	47.4%	2nd Qtr	9-15	60.0%	3rd Qtr	8-16	50.0%	4th Qtr	7-18	38.9%		
3FG %	1st Half:	2-7	28.6%	2nd Half:	2-8	25.0%	Game:	4-15	26.7%					
	1st Qtr	2-7	28.6%	2nd Qtr	0-0	0%	3rd Qtr	1-3	33.3%	4th Qtr	1-5	20.0%		
FT %	1st Half:	3-4	75.0%	2nd Half:	8-9	88.9%	Game:	11-13	84.6%					
	1st Qtr	2-2	100.0%	2nd Qtr	1-2	50.0%	3rd Qtr	2-3	66.7%	4th Qtr	6-6	100.0%		

Vanderbilt 52 - 4-11, 0-1 SEC

##	Player	g/f	Total			3-Ptr			Rebounds			PF	TP	A	TO	Blk	Stl	Min
			FG-FGA	FG-FGA	FT-FTA	FG-FGA	FG-FGA	FT-FTA	Off	Def	Tot							
00	OVERBECK,KAYLA	g	0-3	0-0	1-2	2	1	3	2	1	3	4	1	2	19			
02	HALL,CHELSIE	g	7-13	0-0	3-3	1	2	3	2	17	1	6	0	2	28			
03	BELL,RACHEL	g	4-8	2-2	0-0	0	2	2	1	10	0	4	0	0	22			
24	NEWBY,AUTUMN	f	2-6	0-0	0-3	0	5	5	4	4	2	4	1	1	35			
33	REED,CHRISTA	g	2-4	0-1	1-2	2	2	4	1	5	0	2	0	0	18			
10	WALKER,CIERRA		1-7	0-3	2-2	1	3	4	2	4	1	2	0	2	33			
21	WHALEN,ERIN		1-6	0-2	2-2	0	0	0	0	4	1	0	0	1	13			
22	HORROCKS,BREE		1-1	0-0	0-0	0	1	1	1	2	0	1	0	0	5			
31	EJIOFOR,BLESSING		1-3	0-0	3-4	2	1	3	2	5	0	1	1	0	9			
35	CLEMONS-GREEN,K		0-2	0-0	0-0	0	0	0	4	0	1	3	0	1	18			
TEAM						4	2	6	0									
TOTALS			19-53	2-8	12-18	12	19	31	19	52	9	28	3	9	200			

Deadball Rebounds: 2,1

FG %	1st Half:	10-21	47.6%	2nd Half:	9-32	28.1%	Game:	19-53	35.8%					
	1st Qtr	4-10	40.0%	2nd Qtr	6-11	54.5%	3rd Qtr	7-17	41.2%	4th Qtr	2-15	13.3%		
3FG %	1st Half:	1-2	50.0%	2nd Half:	1-6	16.7%	Game:	2-8	25.0%					
	1st Qtr	0-0	0%	2nd Qtr	1-2	50.0%	3rd Qtr	1-3	33.3%	4th Qtr	0-3	00.0%		
FT %	1st Half:	4-7	57.1%	2nd Half:	8-11	72.7%	Game:	12-18	66.7%					
	1st Qtr	1-2	50.0%	2nd Qtr	3-5	60.0%	3rd Qtr	3-3	100.0%	4th Qtr	5-8	62.5%		

Officials: R:Jesse Dickerson, U1: Brian Hall U2:Pualani Spurlock
 Technical Fouls: Georgia- ENGRAM,MACKENZIE; Vanderbilt- None.

Score by periods	1st	2nd	3rd	4th	Total
Georgia	22	19	19	21	81
Vanderbilt	9	16	18	9	52

Points	In Paint	Off T/O	2nd Chance	Fast Break	Bench
UGA	34	23	21	2	41
VANDY	30	11	21	2	15

Last FG - UGA 4th-00:07, VANDY 4th-00:31.
 Largest lead - Georgia by 29 4th-01:14; Vanderbilt by 2 1st-07:26
 UGA led for 37:44. VANDY led for 0:14. Game was tied for 2:02.

Score tied - 3 times; Lead changed - 2 times

Official Basketball Box Score -- Game Totals -- First Half Statistics
 Georgia vs Vanderbilt
 1/4/2018 7 PM at Nashville, Tenn.(Memorial Gym)



Georgia 41 • 12-2, 0-1 SEC

##	Player		Total			3-Ptr			Rebounds			PF	TP	A	TO	Blk	Stl	Min
			FG-FGA	FG-FGA	FT-FTA	FG-FGA	FG-FGA	FT-FTA	Off	Def	Tot							
00	COLE,TAJA	g	3-5	0-0	0-0	0	2	2	0	6	2	1	0	0			13	
04	ROBINSON,CALIYA	f	2-3	0-0	0-0	0	2	2	2	4	0	2	0	3			6	
12	CLARK,HALEY	g	2-5	0-0	0-0	0	0	0	1	4	0	3	0	1			16	
23	MORRISON,QUE	g	1-6	0-4	1-2	3	1	4	0	3	1	0	0	0			14	
33	ENGRAM,MACKENZIE	f	2-4	0-0	2-2	1	0	1	3	6	1	2	0	1			13	
02	CONNALLY,GABBY		2-3	2-3	0-0	0	0	0	0	6	0	1	0	0			8	
03	PAUL,STEPHANIE		6-7	0-0	0-0	1	2	3	1	12	0	0	0	1			12	
11	CALDWELL,MAYA		0-0	0-0	0-0	0	0	0	0	0	1	0	0	0			4	
24	COSTA,SIMONE		0-0	0-0	0-0	1	0	1	0	0	1	0	0	0			6	
25	HENDERSON,ARI		0-0	0-0	0-0	0	0	0	0	0	0	0	0	0			0	
44	BATES,MALURY		0-1	0-0	0-0	0	3	3	0	0	0	2	1	1			3	
51	BLANARU,BIANCA		0-0	0-0	0-0	1	0	1	1	0	0	1	0	0			5	
TEAM						0	1	1	0									
Totals			18-34	2-7	3-4	7	11	18	8	41	6	12	1	7			100	
FG %	1st Qtr	9-19	47.4%	2nd Qtr	9-15	60.0%	Half:	18-34	52.9%									
3FG %	1st Qtr	2-7	28.6%	2nd Qtr	0-0	0%	Half:	2-7	28.6%									
FT %	1st Qtr	2-2	100.0%	2nd Qtr	1-2	50.0%	Half:	3-4	75.0%									

Vanderbilt 25 • 4-11, 0-1 SEC

##	Player		Total			3-Ptr			Rebounds			PF	TP	A	TO	Blk	Stl	Min
			FG-FGA	FG-FGA	FT-FTA	FG-FGA	FG-FGA	FT-FTA	Off	Def	Tot							
00	OVERBECK,KAYLA	g	0-1	0-0	1-2	1	1	2	2	1	3	3	1	2			14	
02	HALL,CHELSIE	g	3-6	0-0	0-0	1	1	2	1	6	1	5	0	1			15	
03	BELL,RACHEL	g	3-6	1-1	0-0	0	1	1	1	7	0	3	0	0			16	
24	NEWBY,AUT UMN	f	2-2	0-0	0-1	0	2	2	0	4	2	3	0	1			18	
33	REED,CHRISTA	g	0-0	0-0	0-0	0	1	1	0	0	0	2	0	0			6	
10	WALKER,CIERRA		1-3	0-1	2-2	0	0	0	1	4	0	1	0	1			16	
21	WHALEN,ERIN		0-0	0-0	0-0	0	0	0	0	0	1	0	0	0			2	
22	HORROCKS,BREE		1-1	0-0	0-0	0	1	1	1	2	0	1	0	0			2	
31	EJIOFOR,BLESSING		0-1	0-0	1-2	1	1	2	1	1	0	1	0	0			4	
35	CLEMONS-GREEN,K		0-1	0-0	0-0	0	0	0	1	0	0	0	0	0			7	
TEAM						0	1	1	0									
Totals			10-21	1-2	4-7	3	9	12	8	25	7	20	1	5			100	
FG %	1st Qtr	4-10	40.0%	2nd Qtr	6-11	54.5%	Half:	10-21	47.6%									
3FG %	1st Qtr	0-0	0%	2nd Qtr	1-2	50.0%	Half:	1-2	50.0%									
FT %	1st Qtr	1-2	50.0%	2nd Qtr	3-5	60.0%	Half:	4-7	57.1%									

Officials: R:Jesse Dickerson, U1: Brian Hall U2:Pualani Spurlock
 Technical Fouls: Georgia- ENGRAM,MACKENZIE; Vanderbilt- None.

Score by periods	1st	2nd	3rd	4th	Total
Georgia	22	19	19	21	81
Vanderbilt	9	16	18	9	52

Points	In Paint	Off T/O	2nd Chance	Fast Break	Bench
UGA	18	16	6	0	18
	14	6	4	2	7

Last FG - UGA 2nd-00:06, VANDY 2nd-01:07.
 UGA led for 17:44. VANDY led for 0:14. Game was tied for 2:02.

Score tied - 3 times
 Lead changed - 2 times

Georgia vs Vanderbilt
1/4/2018; 7 PM at Nashville, Tenn.(Memorial Gym)
Period 1 Play-By-Play



VISITORS: Georgia	Time	Score	Margin	HOME: Vanderbilt
GOOD! JUMPER by ROBINSON,CALIYA [PNT]	09:45	0-2	V 2	
	09:27			TURNOVER by NEWBY,AUTUMN
MISSED 3PTR by MORRISON,QUE	09:17			
	09:17			REBOUND (DEF) by REED,CHRISTA
	09:13			TURNOVER by REED,CHRISTA
MISSED 3PTR by MORRISON,QUE	09:03			
	09:03			REBOUND (DEF) by NEWBY,AUTUMN
	08:56			TURNOVER by HALL,CHELSIE
STEAL by ROBINSON,CALIYA	08:54			
TURNOVER by COLE,TAJA	08:50			
	08:38			MISSED LAYUP by HALL,CHELSIE
REBOUND (DEF) by TEAM	08:38			
TURNOVER by CLARK,HALEY	08:20			
	08:09	2-2	T	GOOD! LAYUP by NEWBY,AUTUMN [PNT]
	08:09			ASSIST by OVERBECK,KAYLA
GOOD! JUMPER by CLARK,HALEY	07:59	2-4	V 2	
	07:47	4-4	T	GOOD! JUMPER by BELL,RACHEL
MISSED LAYUP by COLE,TAJA	07:38			
	07:38			REBOUND (DEF) by BELL,RACHEL
	07:26	6-4	H 2	GOOD! LAYUP by HALL,CHELSIE [PNT]
	07:26			ASSIST by OVERBECK,KAYLA
GOOD! JUMPER by COLE,TAJA	07:12	6-6	T	
	06:54			TURNOVER by REED,CHRISTA
STEAL by ROBINSON,CALIYA	06:53			
MISSED JUMPER by ROBINSON,CALIYA	06:51			
REBOUND (OFF) by MORRISON,QUE	06:51			
TURNOVER by ENGRAM,MACKENZIE	06:44			
	06:29			MISSED JUMPER by BELL,RACHEL
REBOUND (DEF) by COLE,TAJA	06:29			
MISSED 3PTR by MORRISON,QUE	06:23			
	06:23			REBOUND (DEF) by TEAM
	06:08			TURNOVER by HALL,CHELSIE
STEAL by CLARK,HALEY	06:08			
	05:56			FOUL by HALL,CHELSIE
GOOD! FT by ENGRAM,MACKENZIE	05:56	6-7	V 1	
GOOD! FT by ENGRAM,MACKENZIE	05:56	6-8	V 2	
	05:56			SUB IN: WALKER,CIERRA
	05:56			SUB OUT: REED,CHRISTA
	05:36			MISSED JUMPER by HALL,CHELSIE
REBOUND (DEF) by ROBINSON,CALIYA	05:36			
	05:27			FOUL by OVERBECK,KAYLA
MISSED JUMPER by CLARK,HALEY	05:26			
REBOUND (OFF) by MORRISON,QUE	05:26			
GOOD! JUMPER by ENGRAM,MACKENZIE [PNT]	05:07	6-10	V 4	
ASSIST by COLE,TAJA	05:07			
	04:50			MISSED JUMPER by BELL,RACHEL
	04:50			REBOUND (OFF) by OVERBECK,KAYLA
	04:42	8-10	V 2	GOOD! JUMPER by WALKER,CIERRA [PNT]
FOUL by ROBINSON,CALIYA	04:27			
TURNOVER by ROBINSON,CALIYA	04:27			
	04:27			TIMEOUT media
	04:27			SUB IN: EJIOFOR,BLESSING
	04:27			SUB OUT: OVERBECK,KAYLA
	04:16			TURNOVER by HALL,CHELSIE
GOOD! JUMPER by ROBINSON,CALIYA	04:06	8-12	V 4	
	03:41			MISSED LAYUP by BELL,RACHEL
	03:41			REBOUND (OFF) by EJIOFOR,BLESSING
	03:35			MISSED JUMPER by EJIOFOR,BLESSING
REBOUND (DEF) by ROBINSON,CALIYA	03:35			
	03:32			FOUL by WALKER,CIERRA
SUB IN: CONNALLY,GABBY	03:32			
SUB IN: PAUL,STEPHANIE	03:32			
SUB OUT: COLE,TAJA	03:32			
SUB OUT: ROBINSON,CALIYA	03:32			
MISSED 3PTR by CONNALLY,GABBY	03:11			
REBOUND (OFF) by PAUL,STEPHANIE	03:11			
GOOD! LAYUP by PAUL,STEPHANIE [PNT]	03:07	8-14	V 6	
	02:53			TURNOVER by HALL,CHELSIE
	02:53			SUB IN: CLEMONS-GREEN,K

VISITORS: Georgia	Time	Score	Margin	HOME: Vanderbilt
	02:53			SUB OUT: HALL,CHELSEIE
MISSED JUMPER by ENGRAM,MACKENZIE	02:28			
	02:28			REBOUND (DEF) by EJIOFOR,BLESSING
	02:04			FOUL by EJIOFOR,BLESSING
	02:04			TURNOVER by EJIOFOR,BLESSING
TURNOVER by CLARK,HALEY	01:45			
	01:43			STEAL by NEWBY,AUTUMN
	01:42			TURNOVER by NEWBY,AUTUMN
STEAL by ENGRAM,MACKENZIE	01:40			
GOOD! 3PTR by CONNALLY,GABBY	01:39	8-17	V 9	
ASSIST by ENGRAM,MACKENZIE	01:39			
	01:25			TURNOVER by BELL,RACHEL
GOOD! 3PTR by CONNALLY,GABBY	00:59	8-20	V 12	
FOUL by PAUL,STEPHANIE	00:42			
	00:42	9-20	V 11	GOOD! FT by EJIOFOR,BLESSING
	00:42			MISSED FT by EJIOFOR,BLESSING
REBOUND (DEF) by PAUL,STEPHANIE	00:42			
MISSED 3PTR by MORRISON,QUE	00:35			
REBOUND (OFF) by ENGRAM,MACKENZIE	00:35			
MISSED LAYUP by MORRISON,QUE	00:08			
REBOUND (OFF) by MORRISON,QUE	00:08			
GOOD! LAYUP by MORRISON,QUE [PNT]	00:05	9-22	V 13	

Georgia 22, Vanderbilt 9

Period 1-only	In Paint	Off T/O	2nd Chance	Fast Break	Bench	
UGA	8	10	6	0	8	Score tied - 2 times
VANDY	6	2	2	0	3	Lead changed - 2 times

Georgia vs Vanderbilt
1/4/2018; 7 PM at Nashville, Tenn.(Memorial Gym)
Period 2 Play-By-Play



VISITORS: Georgia	Time	Score	Margin	HOME: Vanderbilt
SUB IN: CONNALLY,GABBY	10:00			
SUB IN: COSTA,SIMONE	10:00			
SUB IN: PAUL,STEPHANIE	10:00			
SUB OUT: COLE,TAJA	10:00			
SUB OUT: MORRISON,QUE	10:00			
SUB OUT: ENGRAM,MACKENZIE	10:00			
	10:00			SUB IN: CLEMONS-GREEN,K
	10:00			SUB IN: WHALEN,ERIN
	10:00			SUB IN: WALKER,CIERRA
	10:00			SUB OUT: HALL,CHELSIE
	10:00			SUB OUT: BELL,RACHEL
	10:00			SUB OUT: REED,CHRISTA
	09:43			TURNOVER by OVERBECK,KAYLA
STEAL by ROBINSON,CALIYA	09:41			
	09:41			FOUL by CLEMONS-GREEN,K
FOUL by ROBINSON,CALIYA	09:34			
TURNOVER by ROBINSON,CALIYA	09:34			
SUB IN: BATES,MALURY	09:34			
SUB OUT: ROBINSON,CALIYA	09:34			
	09:18			TURNOVER by OVERBECK,KAYLA
TURNOVER by BATES,MALURY	09:06			
	09:06			STEAL by OVERBECK,KAYLA
	08:49			MISSED LAYUP by CLEMONS-GREEN,K
BLOCK by BATES,MALURY	08:49			
REBOUND (DEF) by BATES,MALURY	08:48			
MISSED JUMPER by CLARK,HALEY	08:29			
REBOUND (OFF) by COSTA,SIMONE	08:29			
TURNOVER by BATES,MALURY	07:59			
	07:31	11-22	V 11	GOOD! LAYUP by NEWBY,AUTUMN [PNT]
	07:31			ASSIST by WHALEN,ERIN
FOUL by CLARK,HALEY	07:31			
	07:31			MISSED FT by NEWBY,AUTUMN
REBOUND (DEF) by BATES,MALURY	07:31			
SUB IN: ENGRAM,MACKENZIE	07:31			
SUB OUT: PAUL,STEPHANIE	07:31			
	07:31			SUB IN: HALL,CHELSIE
	07:31			SUB IN: BELL,RACHEL
	07:31			SUB OUT: CLEMONS-GREEN,K
	07:31			SUB OUT: WHALEN,ERIN
MISSED JUMPER by BATES,MALURY	07:17			
	07:17			REBOUND (DEF) by NEWBY,AUTUMN
	07:06			MISSED 3PTR by WALKER,CIERRA
REBOUND (DEF) by BATES,MALURY	07:06			
TURNOVER by CLARK,HALEY	06:57			
	06:55			STEAL by OVERBECK,KAYLA
	06:35			TURNOVER by HALL,CHELSIE
STEAL by BATES,MALURY	06:33			
TURNOVER by CONNALLY,GABBY	06:28			
	06:26			STEAL by WALKER,CIERRA
	06:14			TURNOVER by TEAM
SUB IN: CALDWELL,MAYA	06:14			
SUB IN: COLE,TAJA	06:14			
SUB IN: BLANARU,BIANCA	06:14			
SUB OUT: CONNALLY,GABBY	06:14			
SUB OUT: BATES,MALURY	06:14			
SUB OUT: CLARK,HALEY	06:14			
	06:14			SUB IN: REED,CHRISTA
	06:14			SUB OUT: NEWBY,AUTUMN
MISSED JUMPER by COLE,TAJA	06:02			
REBOUND (OFF) by BLANARU,BIANCA	06:02			
TURNOVER by ENGRAM,MACKENZIE	05:39			
	05:39			STEAL by HALL,CHELSIE
FOUL by ENGRAM,MACKENZIE	05:39			
	05:26	13-22	V 9	GOOD! LAYUP by HALL,CHELSIE [PNT]
FOUL by BLANARU,BIANCA	05:15			
TURNOVER by BLANARU,BIANCA	05:15			
SUB IN: PAUL,STEPHANIE	05:15			
SUB OUT: BLANARU,BIANCA	05:15			
	05:00			MISSED JUMPER by OVERBECK,KAYLA

VISITORS: Georgia	Time	Score	Margin	HOME: Vanderbilt
REBOUND (DEF) by COLE,TAJA	05:00			
GOOD! JUMPER by PAUL,STEPHANIE	04:51	13-24	V 11	
ASSIST by CALDWELL,MAYA	04:51			
	04:41	16-24	V 8	GOOD! 3PTR by BELL,RACHEL
	04:41			ASSIST by OVERBECK,KAYLA
GOOD! LAYUP by ENGRAM,MACKENZIE [PNT]	04:30	16-26	V 10	
ASSIST by COSTA,SIMONE	04:30			
	04:22			TURNOVER by BELL,RACHEL
TIMEOUT media	04:22			
SUB IN: BLANARU,BIANCA	04:22			
SUB IN: MORRISON,QUE	04:22			
SUB OUT: COSTA,SIMONE	04:22			
SUB OUT: ENGRAM,MACKENZIE	04:22			
	04:22			SUB IN: NEWBY,AUTUMN
	04:22			SUB OUT: REED,CHRISTA
GOOD! LAYUP by PAUL,STEPHANIE [PNT]	04:13	16-28	V 12	
ASSIST by MORRISON,QUE	04:13			
	03:54	18-28	V 10	GOOD! LAYUP by HALL,CHELSIE [PNT]
	03:54			ASSIST by NEWBY,AUTUMN
GOOD! LAYUP by PAUL,STEPHANIE [PNT]	03:45	18-30	V 12	
ASSIST by COLE,TAJA	03:45			
	03:33			FOUL by OVERBECK,KAYLA
	03:33			TURNOVER by OVERBECK,KAYLA
MISSED LAYUP by ENGRAM,MACKENZIE	03:25			
	03:25			BLOCK by OVERBECK,KAYLA
	03:23			REBOUND (DEF) by OVERBECK,KAYLA
FOUL by ENGRAM,MACKENZIE	03:21			
FOUL (TECH) by ENGRAM,MACKENZIE	03:21			
FOUL by ENGRAM,MACKENZIE	03:21			
	03:21	19-30	V 11	GOOD! FT by WALKER,CIERRA
	03:21	20-30	V 10	GOOD! FT by WALKER,CIERRA
	03:21	21-30	V 9	GOOD! FT by OVERBECK,KAYLA
	03:21			MISSED FT by OVERBECK,KAYLA
REBOUND (DEF) by PAUL,STEPHANIE	03:21			
GOOD! LAYUP by COLE,TAJA [PNT]	03:13	21-32	V 11	
	03:03			TURNOVER by BELL,RACHEL
STEAL by PAUL,STEPHANIE	03:00			
MISSED LAYUP by PAUL,STEPHANIE	02:58			
	02:58			REBOUND (DEF) by HALL,CHELSIE
	02:51	23-32	V 9	GOOD! LAYUP by BELL,RACHEL [FB/PNT]
	02:51			ASSIST by NEWBY,AUTUMN
GOOD! JUMPER by PAUL,STEPHANIE [PNT]	02:37	23-34	V 11	
	02:21			TURNOVER by NEWBY,AUTUMN
SUB IN: CLARK,HALEY	02:21			
SUB OUT: CALDWELL,MAYA	02:21			
	02:21			SUB IN: HORROCKS,BREE
	02:21			SUB OUT: OVERBECK,KAYLA
MISSED LAYUP by CLARK,HALEY	02:09			
	02:09			REBOUND (DEF) by HORROCKS,BREE
	01:57			MISSED JUMPER by WALKER,CIERRA
REBOUND (DEF) by MORRISON,QUE	01:57			
	01:51			FOUL by BELL,RACHEL
MISSED FT by MORRISON,QUE	01:51			
REBOUND (DEADB) by TEAM	01:51			
GOOD! FT by MORRISON,QUE	01:51	23-35	V 12	
	01:51			SUB IN: CLEMONS-GREEN,K
	01:51			SUB OUT: BELL,RACHEL
	01:38			FOUL by HORROCKS,BREE
	01:38			TURNOVER by HORROCKS,BREE
GOOD! JUMPER by COLE,TAJA	01:30	23-37	V 14	
	01:12			MISSED LAYUP by HALL,CHELSIE
	01:12			REBOUND (OFF) by HALL,CHELSIE
	01:07	25-37	V 12	GOOD! JUMPER by HORROCKS,BREE
	01:07			ASSIST by HALL,CHELSIE
GOOD! JUMPER by CLARK,HALEY	00:40	25-39	V 14	
	00:24			TURNOVER by WALKER,CIERRA
GOOD! JUMPER by PAUL,STEPHANIE	00:06	25-41	V 16	

Georgia 41, Vanderbilt 25

Period 2-only	In Paint	Off T/O	2nd Chance	Fast Break	Bench	
UGA	10	6	0	0	10	Score tied - 0 times
VANDY	8	4	2	2	4	Lead changed - 0 times

Official Basketball Box Score -- Game Totals -- Second Half Statistics
 Georgia vs Vanderbilt
 1/4/2018 7 PM at Nashville, Tenn.(Memorial Gym)



Georgia 40 • 12-2, 0-1 SEC

##	Player		Total			3-Ptr			Rebounds			PF	TP	A	TO	Blk	Stl	Min
			FG-FGA	FG-FGA	FT-FTA	FG-FGA	FG-FGA	FT-FTA	Off	Def	Tot							
00	COLE,TAJA	g	0-1	0-0	0-0				1	1	2	0	0	4	0	0	0	13
04	ROBINSON,CALIYA	f	5-9	0-2	2-2				2	3	5	0	12	0	2	3	2	14
12	CLARK,HALEY	g	0-1	0-0	0-0				0	1	1	0	0	0	0	0	0	8
23	MORRISON,QUE	g	2-3	0-1	1-1				1	1	2	1	5	2	0	0	0	12
33	ENGRAM,MACKENZIE	f	0-1	0-0	0-0				0	0	0	1	0	0	0	0	0	2
02	CONNALLY,GABBY		1-4	0-1	0-0				1	0	1	2	2	0	0	0	0	7
03	PAUL,STEPHANIE		2-3	1-1	1-2				0	1	1	3	6	1	2	0	0	15
11	CALDWELL,MAYA		0-3	0-0	0-0				0	1	1	0	0	0	1	0	1	7
24	COSTA,SIMONE		3-5	1-3	2-2				2	1	3	2	9	0	0	0	1	11
25	HENDERSON,ARI		0-0	0-0	0-0				0	1	1	0	0	0	0	0	0	2
44	BATES,MALURY		0-2	0-0	2-2				0	4	4	2	2	0	1	2	0	4
51	BLANARU,BIANCA		2-2	0-0	0-0				0	0	0	0	4	0	1	1	0	5
TEAM									1	1	2	0		0				
Totals			15-34	2-8	8-9				8	15	23	11	40	7	7	6	4	100
FG %	3rd Qtr	8-16	50.0%	4th Qtr	7-18	38.9%	Half:	15-34	44.1%									
3FG %	3rd Qtr	1-3	33.3%	4th Qtr	1-5	20.0%	Half:	2-8	28.6%									
FT %	3rd Qtr	2-3	66.7%	4th Qtr	6-6	100.0%	Half:	8-9	88.9%									

Vanderbilt 27 • 4-11, 0-1 SEC

##	Player		Total			3-Ptr			Rebounds			PF	TP	A	TO	Blk	Stl	Min
			FG-FGA	FG-FGA	FT-FTA	FG-FGA	FG-FGA	FT-FTA	Off	Def	Tot							
00	OVERBECK,KAYLA	g	0-2	0-0	0-0				1	0	1	0	0	0	1	0	0	5
02	HALL,CHELSEIE	g	4-7	0-0	3-3				0	1	1	1	11	0	1	0	1	13
03	BELL,RACHEL	g	1-2	1-1	0-0				0	1	1	0	3	0	1	0	0	6
24	NEWBY,AUTUMN	f	0-4	0-0	0-2				0	3	3	4	0	0	1	1	0	17
33	REED,CHRISTA	g	2-4	0-1	1-2				2	1	3	1	5	0	0	0	0	12
10	WALKER,CIERRA		0-4	0-2	0-0				1	3	4	1	0	1	1	0	1	17
21	WHALEN,ERIN		1-6	0-2	2-2				0	0	0	0	4	0	0	0	1	11
22	HORROCKS,BREE		0-0	0-0	0-0				0	0	0	0	0	0	0	0	0	3
31	EJIOFOR,BLESSING		1-2	0-0	2-2				1	0	1	1	4	0	0	1	0	5
35	CLEMONS-GREEN,K		0-1	0-0	0-0				0	0	0	3	0	1	3	0	1	11
TEAM									4	1	5	0		0				
Totals			9-32	1-6	8-11				9	10	19	11	27	2	8	2	4	100
FG %	3rd Qtr	7-17	41.2%	4th Qtr	2-15	13.3%	Half:	9-32	28.1%									
3FG %	3rd Qtr	1-3	33.3%	4th Qtr	0-3	00.0%	Half:	1-6	50.0%									
FT %	3rd Qtr	3-3	100.0%	4th Qtr	5-8	62.5%	Half:	8-11	72.7%									

Officials: R:Jesse Dickerson, U1: Brian Hall U2:Pualani Spurlock
 Technical Fouls: Georgia- None. Vanderbilt- None.

Score by periods	1st	2nd	3rd	4th	Total
Georgia	22	19	19	21	81
Vanderbilt	9	16	18	9	52

Points	In Paint	Off T/O	2nd Chance	Fast Break	Bench
UGA	16	7	15	2	23
	16	5	6	0	8

Last FG - UGA 4th-00:07, VANDY 4th-00:31.
 UGA led for 20:00. VANDY led for 0:00. Game was tied for 0:00.

Score tied - 0 times
 Lead changed - 0 times

Georgia vs Vanderbilt
1/4/2018; 7 PM at Nashville, Tenn.(Memorial Gym)
Period 3 Play-By-Play



VISITORS: Georgia	Time	Score	Margin	HOME: Vanderbilt
SUB IN: PAUL,STEPHANIE	10:00			
SUB OUT: ENGRAM,MACKENZIE	10:00			
MISSED JUMPER by ROBINSON,CALIYA	09:43			
	09:43			REBOUND (DEF) by BELL,RACHEL
	09:26			MISSED LAYUP by OVERBECK,KAYLA
BLOCK by ROBINSON,CALIYA	09:26			
	09:26			REBOUND (OFF) by TEAM
FOUL by MORRISON,QUE	09:26			
	09:25			MISSED LAYUP by REED,CHRISTA
	09:25			REBOUND (OFF) by REED,CHRISTA
	09:22	27-41	V 14	GOOD! LAYUP by REED,CHRISTA [PNT]
MISSED 3PTR by MORRISON,QUE	08:57			
	08:57			REBOUND (DEF) by NEWBY,AUTUMN
	08:46			MISSED JUMPER by BELL,RACHEL
REBOUND (DEF) by ROBINSON,CALIYA	08:46			
MISSED JUMPER by COLE,TAJA	08:37			
REBOUND (OFF) by COLE,TAJA	08:37			
GOOD! JUMPER by ROBINSON,CALIYA	08:32	27-43	V 16	
ASSIST by COLE,TAJA	08:32			
FOUL by PAUL,STEPHANIE	08:06			
	08:06	28-43	V 15	GOOD! FT by HALL,CHELSIE
	08:06	29-43	V 14	GOOD! FT by HALL,CHELSIE
	08:06			SUB IN: CLEMONS-GREEN,K
	08:06			SUB OUT: BELL,RACHEL
GOOD! LAYUP by ROBINSON,CALIYA [PNT]	07:57	29-45	V 16	
ASSIST by COLE,TAJA	07:57			
	07:45			TURNOVER by CLEMONS-GREEN,K
	07:22			SUB IN: WALKER,CIERRA
	07:22			SUB IN: WHALEN,ERIN
	07:22			SUB OUT: OVERBECK,KAYLA
	07:22			SUB OUT: HALL,CHELSIE
GOOD! 3PTR by PAUL,STEPHANIE	07:21	29-48	V 19	
ASSIST by MORRISON,QUE	07:21			
	07:12			MISSED JUMPER by WHALEN,ERIN
	07:12			REBOUND (OFF) by WALKER,CIERRA
	07:09			MISSED JUMPER by WALKER,CIERRA
	07:09			REBOUND (OFF) by TEAM
	06:59			TURNOVER by NEWBY,AUTUMN
STEAL by ROBINSON,CALIYA	06:58			
MISSED LAYUP by PAUL,STEPHANIE	06:41			
	06:41			BLOCK by NEWBY,AUTUMN
	06:38			REBOUND (DEF) by NEWBY,AUTUMN
	06:24			TIMEOUT 30SEC
	06:12			MISSED LAYUP by NEWBY,AUTUMN
REBOUND (DEF) by PAUL,STEPHANIE	06:12			
TURNOVER by PAUL,STEPHANIE	06:07			
	06:07			STEAL by CLEMONS-GREEN,K
	05:55			MISSED 3PTR by REED,CHRISTA
REBOUND (DEF) by MORRISON,QUE	05:55			
MISSED LAYUP by CLARK,HALEY	05:45			
	05:45			REBOUND (DEF) by WALKER,CIERRA
FOUL by PAUL,STEPHANIE	05:25			
SUB IN: ENGRAM,MACKENZIE	05:25			
SUB OUT: PAUL,STEPHANIE	05:25			
	05:24	31-48	V 17	GOOD! LAYUP by WHALEN,ERIN [PNT]
	05:24			ASSIST by CLEMONS-GREEN,K
	05:16			FOUL by NEWBY,AUTUMN
	04:50			FOUL by CLEMONS-GREEN,K
TIMEOUT MEDIA	04:50			
MISSED JUMPER by ENGRAM,MACKENZIE	04:47			
	04:47			REBOUND (DEF) by TEAM
	04:45			SUB IN: OVERBECK,KAYLA
	04:45			SUB OUT: REED,CHRISTA
	04:35			TURNOVER by OVERBECK,KAYLA
MISSED JUMPER by ROBINSON,CALIYA	04:14			
	04:14			REBOUND (DEF) by NEWBY,AUTUMN
	04:01			MISSED LAYUP by NEWBY,AUTUMN
	04:01			REBOUND (OFF) by OVERBECK,KAYLA
	03:57			MISSED JUMPER by OVERBECK,KAYLA

VISITORS: Georgia	Time	Score	Margin	HOME: Vanderbilt
REBOUND (DEF) by COLE,TAJA	03:57			
GOOD! JUMPER by MORRISON,QUE	03:49	31-50	V 19	
	03:31			TURNOVER by CLEMONS-GREEN,K
STEAL by ROBINSON,CALIYA	03:30			
GOOD! LAYUP by ROBINSON,CALIYA [FB/PNT]	03:28	31-52	V 21	
ASSIST by PAUL,STEPHANIE	03:28			
	03:22			TIMEOUT 30SEC
SUB IN: CONNALLY,GABBY	03:22			
SUB IN: PAUL,STEPHANIE	03:22			
SUB OUT: COLE,TAJA	03:22			
SUB OUT: ROBINSON,CALIYA	03:22			
	03:22			SUB IN: BELL,RACHEL
	03:22			SUB IN: HALL,CHELSIE
	03:22			SUB OUT: WHALEN,ERIN
	03:22			SUB OUT: CLEMONS-GREEN,K
	03:11	33-52	V 19	GOOD! LAYUP by HALL,CHELSIE [PNT]
FOUL by ENGRAM,MACKENZIE	03:11			
	03:11	34-52	V 18	GOOD! FT by HALL,CHELSIE
SUB IN: BLANARU,BIANCA	03:04			
SUB OUT: ENGRAM,MACKENZIE	03:04			
TURNOVER by PAUL,STEPHANIE	02:48			
	02:48			STEAL by HALL,CHELSIE
	02:38	36-52	V 16	GOOD! LAYUP by HALL,CHELSIE [PNT]
GOOD! LAYUP by BLANARU,BIANCA [PNT]	02:10	36-54	V 18	
	01:56			MISSED 3PTR by WALKER,CIERRA
REBOUND (DEF) by CLARK,HALEY	01:56			
	01:34			FOUL by NEWBY,AUTUMN
MISSED FT by PAUL,STEPHANIE	01:34			
REBOUND (DEADB) by TEAM	01:34			
GOOD! FT by PAUL,STEPHANIE	01:34	36-55	V 19	
SUB IN: COSTA,SIMONE	01:34			
SUB IN: ROBINSON,CALIYA	01:34			
SUB OUT: CLARK,HALEY	01:34			
SUB OUT: BLANARU,BIANCA	01:34			
	01:34			SUB IN: HORROCKS,BREE
	01:34			SUB OUT: OVERBECK,KAYLA
	01:18	38-55	V 17	GOOD! LAYUP by HALL,CHELSIE [PNT]
GOOD! JUMPER by PAUL,STEPHANIE [PNT]	01:05	38-57	V 19	
ASSIST by MORRISON,QUE	01:05			
	00:51	41-57	V 16	GOOD! 3PTR by BELL,RACHEL
	00:51			ASSIST by WALKER,CIERRA
MISSED 3PTR by COSTA,SIMONE	00:24			
REBOUND (OFF) by MORRISON,QUE	00:24			
	00:21			FOUL by NEWBY,AUTUMN
GOOD! JUMPER by MORRISON,QUE	00:18	41-59	V 18	
	00:18			FOUL by NEWBY,AUTUMN
GOOD! FT by MORRISON,QUE	00:18	41-60	V 19	
	00:18			SUB IN: REED,CHRISTA
	00:18			SUB OUT: NEWBY,AUTUMN
	00:07	43-60	V 17	GOOD! LAYUP by HALL,CHELSIE [PNT]

Georgia 81, Vanderbilt 52

Period 3-only	In Paint	Off T/O	2nd Chance	Fast Break	Bench	
UGA	8	5	5	2	8	Score tied - 0 times
VANDY	12	2	2	0	2	Lead changed - 0 times

Georgia vs Vanderbilt
1/4/2018; 7 PM at Nashville, Tenn.(Memorial Gym)
Period 4 Play-By-Play



VISITORS: Georgia	Time	Score	Margin	HOME: Vanderbilt
SUB IN: COSTA,SIMONE	10:00			
SUB IN: PAUL,STEPHANIE	10:00			
SUB IN: CONNALLY,GABBY	10:00			
SUB OUT: COLE,TAJA	10:00			
SUB OUT: CLARK,HALEY	10:00			
SUB OUT: ENGRAM,MACKENZIE	10:00			
	10:00			SUB IN: WALKER,CIERRA
	10:00			SUB IN: HORROCKS,BREE
	10:00			SUB OUT: OVERBECK,KAYLA
	10:00			SUB OUT: NEWBY,AUTUMN
GOOD! JUMPER by CONNALLY,GABBY	09:54	43-62	V 19	
	09:31			TURNOVER by BELL,RACHEL
	09:25			SUB IN: CLEMONS-GREEN,K
	09:25			SUB OUT: BELL,RACHEL
MISSED 3PTR by CONNALLY,GABBY	09:04			
REBOUND (OFF) by ROBINSON,CALIYA	09:04			
GOOD! LAYUP by ROBINSON,CALIYA [PNT]	09:00	43-64	V 21	
	08:52			MISSED JUMPER by CLEMONS-GREEN,K
BLOCK by ROBINSON,CALIYA	08:52			
REBOUND (DEF) by COSTA,SIMONE	08:50			
	08:47			FOUL by REED,CHRISTA
GOOD! FT by COSTA,SIMONE	08:47	43-65	V 22	
GOOD! FT by COSTA,SIMONE	08:47	43-66	V 23	
SUB IN: CALDWELL,MAYA	08:47			
SUB OUT: MORRISON,QUE	08:47			
	08:47			SUB IN: EJIOFOR,BLESSING
	08:47			SUB OUT: HORROCKS,BREE
	08:38			MISSED LAYUP by HALL,CHELSIE
	08:38			REBOUND (OFF) by EJIOFOR,BLESSING
	08:34	45-66	V 21	GOOD! LAYUP by EJIOFOR,BLESSING [PNT]
MISSED JUMPER by CONNALLY,GABBY	08:22			
	08:22			BLOCK by EJIOFOR,BLESSING
REBOUND (OFF) by CONNALLY,GABBY	08:19			
MISSED 3PTR by ROBINSON,CALIYA	08:16			
REBOUND (OFF) by COSTA,SIMONE	08:16			
	08:15			FOUL by CLEMONS-GREEN,K
GOOD! JUMPER by ROBINSON,CALIYA [PNT]	08:08	45-68	V 23	
	07:51			TURNOVER by HALL,CHELSIE
STEAL by COSTA,SIMONE	07:49			
	07:48			FOUL by WALKER,CIERRA
	07:42			FOUL by HALL,CHELSIE
MISSED LAYUP by CONNALLY,GABBY	07:32			
	07:32			REBOUND (DEF) by REED,CHRISTA
FOUL by CONNALLY,GABBY	07:27			
	07:27			SUB IN: WHALEN,ERIN
	07:27			SUB OUT: REED,CHRISTA
	07:06			MISSED LAYUP by HALL,CHELSIE
REBOUND (DEF) by CALDWELL,MAYA	07:06			
SUB IN: BATES,MALURY	06:59			
SUB OUT: PAUL,STEPHANIE	06:59			
TURNOVER by ROBINSON,CALIYA	06:46			
	06:37			SUB IN: NEWBY,AUTUMN
	06:37			SUB OUT: CLEMONS-GREEN,K
FOUL by CONNALLY,GABBY	06:28			
	06:28	46-68	V 22	GOOD! FT by EJIOFOR,BLESSING
	06:28	47-68	V 21	GOOD! FT by EJIOFOR,BLESSING
MISSED 3PTR by ROBINSON,CALIYA	06:10			
	06:10			REBOUND (DEF) by HALL,CHELSIE
	06:02			MISSED 3PTR by WALKER,CIERRA
REBOUND (DEF) by ROBINSON,CALIYA	06:02			
MISSED 3PTR by COSTA,SIMONE	05:45			
REBOUND (OFF) by TEAM	05:45			
SUB IN: COLE,TAJA	05:40			
SUB OUT: CONNALLY,GABBY	05:40			
	05:33			FOUL by EJIOFOR,BLESSING
GOOD! FT by BATES,MALURY	05:33	47-69	V 22	
GOOD! FT by BATES,MALURY	05:33	47-70	V 23	
SUB IN: MORRISON,QUE	05:33			
SUB OUT: COSTA,SIMONE	05:33			

VISITORS: Georgia	Time	Score	Margin	HOME: Vanderbilt
	05:21			MISSED 3PTR by WHALEN,ERIN
REBOUND (DEF) by BATES,MALURY	05:21			
TURNOVER by ROBINSON,CALIYA	05:10			
	05:00			TURNOVER by WALKER,CIERRA
TIMEOUT MEDIA	05:00			
	05:00			SUB IN: CLEMONS-GREEN,K
	05:00			SUB OUT: HALL,CHELSIE
MISSED JUMPER by CALDWELL,MAYA	04:51			
	04:51			REBOUND (DEADB) by TEAM
FOUL by BATES,MALURY	04:50			
	04:40			MISSED JUMPER by WHALEN,ERIN
REBOUND (DEF) by ROBINSON,CALIYA	04:40			
SUB IN: COSTA,SIMONE	04:32			
SUB OUT: MORRISON,QUE	04:32			
MISSED JUMPER by CALDWELL,MAYA	04:24			
	04:24			REBOUND (DEF) by WALKER,CIERRA
	04:07			MISSED LAYUP by EJIOFOR,BLESSING
BLOCK by BATES,MALURY	04:07			
	04:06			REBOUND (OFF) by TEAM
	04:04			MISSED LAYUP by NEWBY,AUTUMN
BLOCK by BATES,MALURY	04:04			
	04:04			REBOUND (OFF) by TEAM
FOUL by COSTA,SIMONE	04:03			
	03:52			MISSED JUMPER by WALKER,CIERRA
BLOCK by ROBINSON,CALIYA	03:52			
REBOUND (DEF) by BATES,MALURY	03:51			
TURNOVER by BATES,MALURY	03:49			
	03:48			STEAL by WHALEN,ERIN
	03:47			MISSED JUMPER by WHALEN,ERIN
REBOUND (DEF) by BATES,MALURY	03:47			
MISSED JUMPER by BATES,MALURY	03:34			
REBOUND (OFF) by ROBINSON,CALIYA	03:34			
	03:32			FOUL by CLEMONS-GREEN,K
GOOD! FT by ROBINSON,CALIYA	03:32	47-71	V 24	
GOOD! FT by ROBINSON,CALIYA	03:32	47-72	V 25	
SUB IN: PAUL,STEPHANIE	03:32			
SUB OUT: ROBINSON,CALIYA	03:32			
	03:32			SUB IN: REED,CHRISTA
	03:32			SUB OUT: EJIOFOR,BLESSING
FOUL by BATES,MALURY	03:20			
	03:20			MISSED FT by NEWBY,AUTUMN
	03:20			REBOUND (DEADB) by TEAM
	03:20			MISSED FT by NEWBY,AUTUMN
REBOUND (DEF) by BATES,MALURY	03:20			
MISSED JUMPER by BATES,MALURY	03:09			
	03:09			REBOUND (DEF) by WALKER,CIERRA
	02:52			TURNOVER by CLEMONS-GREEN,K
STEAL by CALDWELL,MAYA	02:51			
TURNOVER by CALDWELL,MAYA	02:48			
	02:46			STEAL by WALKER,CIERRA
	02:42			TIMEOUT TEAM
FOUL by PAUL,STEPHANIE	02:42			
	02:42			MISSED FT by REED,CHRISTA
	02:42			REBOUND (DEADB) by TEAM
	02:42	48-72	V 24	GOOD! FT by REED,CHRISTA
SUB IN: BLANARU,BIANCA	02:42			
SUB OUT: BATES,MALURY	02:42			
MISSED JUMPER by CALDWELL,MAYA	02:35			
REBOUND (OFF) by COSTA,SIMONE	02:35			
GOOD! LAYUP by BLANARU,BIANCA [PNT]	02:17	48-74	V 26	
	01:55			MISSED LAYUP by NEWBY,AUTUMN
BLOCK by BLANARU,BIANCA	01:55			
REBOUND (DEF) by TEAM	01:55			
SUB IN: HENDERSON,ARI	01:55			
SUB OUT: CALDWELL,MAYA	01:55			
	01:55			SUB IN: HALL,CHELSIE
	01:55			SUB OUT: CLEMONS-GREEN,K
TURNOVER by BLANARU,BIANCA	01:41			
	01:24			MISSED 3PTR by WHALEN,ERIN
REBOUND (DEF) by HENDERSON,ARI	01:24			
GOOD! 3PTR by COSTA,SIMONE	01:14	48-77	V 29	
ASSIST by COLE,TAJA	01:14			
FOUL by COSTA,SIMONE	01:01			
	01:01	49-77	V 28	GOOD! FT by WHALEN,ERIN
	01:01	50-77	V 27	GOOD! FT by WHALEN,ERIN

VISITORS: Georgia	Time	Score	Margin	HOME: Vanderbilt
GOOD! LAYUP by COSTA,SIMONE [PNT]	00:41	50-79	V 29	
	00:35			MISSED LAYUP by HALL,CHELSIE
	00:35			REBOUND (OFF) by REED,CHRISTA
	00:31	52-79	V 27	GOOD! LAYUP by REED,CHRISTA [PNT]
GOOD! JUMPER by COSTA,SIMONE	00:07	52-81	V 29	
ASSIST by COLE,TAJA	00:07			

Georgia 81, Vanderbilt 52

Period 4-only	In Paint	Off T/O	2nd Chance	Fast Break	Bench	
UGA	8	2	10	0	15	Score tied - 0 times
VANDY	4	3	4	0	6	Lead changed - 0 times

Georgia vs Vanderbilt
1/4/2018; 7 PM at Nashville, Tenn.(Memorial Gym)
Scoring/Runs Reference



Period 1

Georgia	VRun	Score	Margin	HRun	Vanderbilt
09:45 - ROBINSON JUMPER [P]	-	2-0	-2		
		2-2	0		NEWBY LAYUP [P] - 08:09
07:59 - CLARK JUMPER	-	4-2	-2		
		4-4	0		BELL JUMPER - 07:47
		4-6	2	4-0	HALL LAYUP [P] - 07:26
07:12 - COLE JUMPER	-	6-6	0		
05:56 - ENGRAM FT	3-0	7-6	-1		
05:56 - ENGRAM FT	4-0	8-6	-2		
05:07 - ENGRAM JUMPER [P]	6-0	10-6	-4		
		10-8	-2		WALKER JUMPER [P] - 04:42
04:06 - ROBINSON JUMPER	-	12-8	-4		
03:07 - PAUL LAYUP [P]	4-0	14-8	-6		
01:39 - CONNALLY 3PTR	7-0	17-8	-9		
00:59 - CONNALLY 3PTR	10-0	20-8	-12		
		20-9	-11		EJIOFOR FT - 00:42
00:05 - MORRISON LAYUP [P]	-	22-9	-13		

Georgia vs Vanderbilt
1/4/2018; 7 PM at Nashville, Tenn.(Memorial Gym)
Scoring/Runs Reference



Period 2

Georgia	VRun	Score	Margin	HRun	Vanderbilt
		22-11	-11		NEWBY LAYUP [P] - 07:31
		22-13	-9	NaN-0	HALL LAYUP [P] - 05:26
04:51 - PAUL JUMPER	-	24-13	-11		
		24-16	-8		BELL 3PTR - 04:41
04:30 - ENGRAM LAYUP [P]	-	26-16	-10		
04:13 - PAUL LAYUP [P]	4-0	28-16	-12		
		28-18	-10		HALL LAYUP [P] - 03:54
03:45 - PAUL LAYUP [P]	-	30-18	-12		
		30-19	-11		WALKER FT - 03:21
		30-20	-10	2-0	WALKER FT - 03:21
		30-21	-9	3-0	OVERBECK FT - 03:21
03:13 - COLE LAYUP [P]	-	32-21	-11		
		32-23	-9		BELL LAYUP [P] [F] - 02:51
02:37 - PAUL JUMPER [P]	-	34-23	-11		
01:51 - MORRISON FT	3-0	35-23	-12		
01:30 - COLE JUMPER	5-0	37-23	-14		
		37-25	-12		HORROCKS JUMPER - 01:07
00:40 - CLARK JUMPER	-	39-25	-14		
00:06 - PAUL JUMPER	4-0	41-25	-16		

Georgia vs Vanderbilt
1/4/2018; 7 PM at Nashville, Tenn.(Memorial Gym)
Scoring/Runs Reference



Period 3

Georgia	VRun	Score	Margin	HRun	Vanderbilt
		41-27	-14		REED LAYUP [P] - 09:22
08:32 - ROBINSON JUMPER	-	43-27	-16		
		43-28	-15		HALL FT - 08:06
		43-29	-14	2-0	HALL FT - 08:06
07:57 - ROBINSON LAYUP [P]	-	45-29	-16		
07:21 - PAUL 3PTR	5-0	48-29	-19		
		48-31	-17		WHALEN LAYUP [P] - 05:24
03:49 - MORRISON JUMPER	-	50-31	-19		
03:28 - ROBINSON LAYUP [P] [F]	4-0	52-31	-21		
		52-33	-19		HALL LAYUP [P] - 03:11
		52-34	-18	3-0	HALL FT - 03:11
		52-36	-16	5-0	HALL LAYUP [P] - 02:38
02:10 - BLANARU LAYUP [P]	-	54-36	-18		
01:34 - PAUL FT	3-0	55-36	-19		
		55-38	-17		HALL LAYUP [P] - 01:18
01:05 - PAUL JUMPER [P]	-	57-38	-19		
		57-41	-16		BELL 3PTR - 00:51
00:18 - MORRISON JUMPER	-	59-41	-18		
00:18 - MORRISON FT	3-0	60-41	-19		
		60-43	-17		HALL LAYUP [P] - 00:07

Georgia vs Vanderbilt
1/4/2018; 7 PM at Nashville, Tenn.(Memorial Gym)
Scoring/Runs Reference

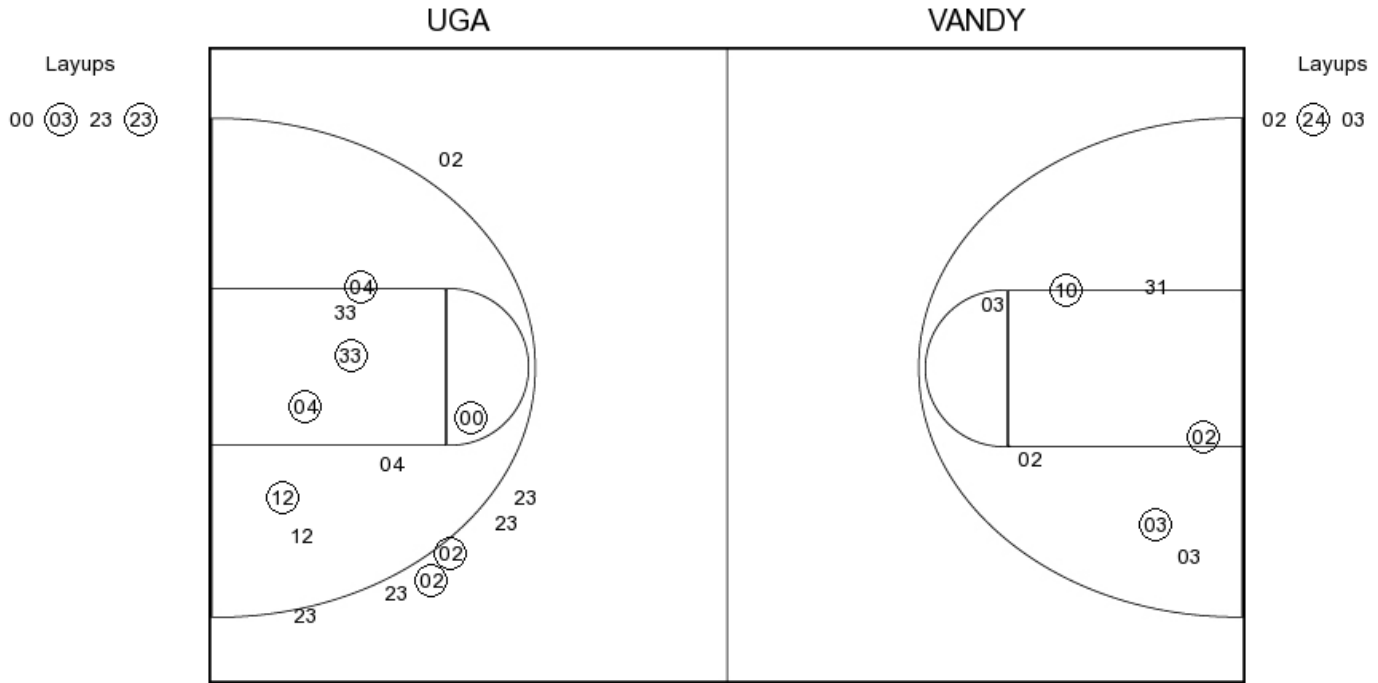


Period 4

Georgia	VRun	Score	Margin	HRun	Vanderbilt
09:54 - CONNALLY JUMPER	-	62-43	-19		
09:00 - ROBINSON LAYUP [P]	NaN-0	64-43	-21		
08:47 - COSTA FT	NaN-0	65-43	-22		
08:47 - COSTA FT	NaN-0	66-43	-23		
		66-45	-21		EJIOFOR LAYUP [P] - 08:34
08:08 - ROBINSON JUMPER [P]	-	68-45	-23		
		68-46	-22		EJIOFOR FT - 06:28
		68-47	-21	2-0	EJIOFOR FT - 06:28
05:33 - BATES FT	-	69-47	-22		
05:33 - BATES FT	2-0	70-47	-23		
03:32 - ROBINSON FT	3-0	71-47	-24		
03:32 - ROBINSON FT	4-0	72-47	-25		
		72-48	-24		REED FT - 02:42
02:17 - BLANARU LAYUP [P]	-	74-48	-26		
01:14 - COSTA 3PTR	5-0	77-48	-29		
		77-49	-28		WHALEN FT - 01:01
		77-50	-27	2-0	WHALEN FT - 01:01
00:41 - COSTA LAYUP [P]	-	79-50	-29		
		79-52	-27		REED LAYUP [P] - 00:31
00:07 - COSTA JUMPER	-	81-52	-29		



PERIOD 1



UGA PERIOD 1

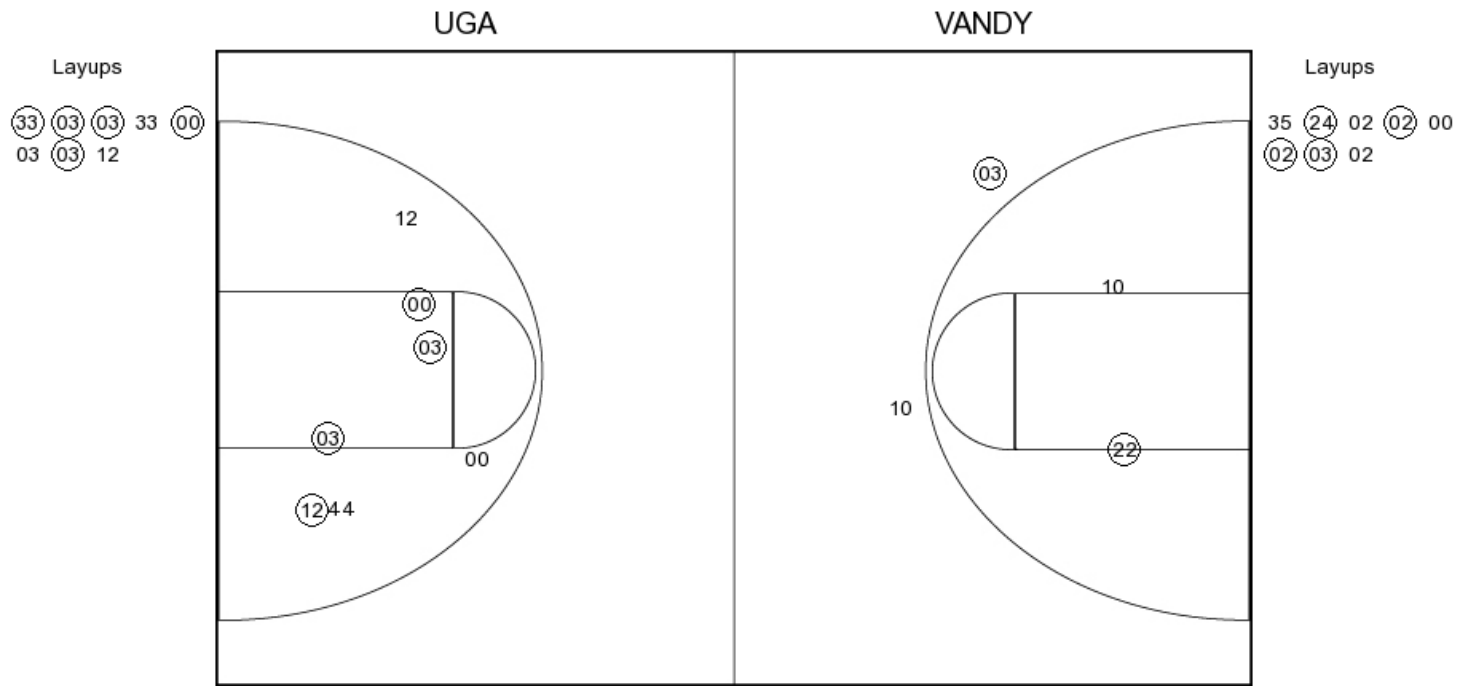
FG Made	18
FG Attempted	34
3PFG Made	2
3PFG Attempted	7

VANDY PERIOD 1

FG Made	10
FG Attempted	21
3PFG Made	1
3PFG Attempted	2



PERIOD 2



UGA PERIOD 2

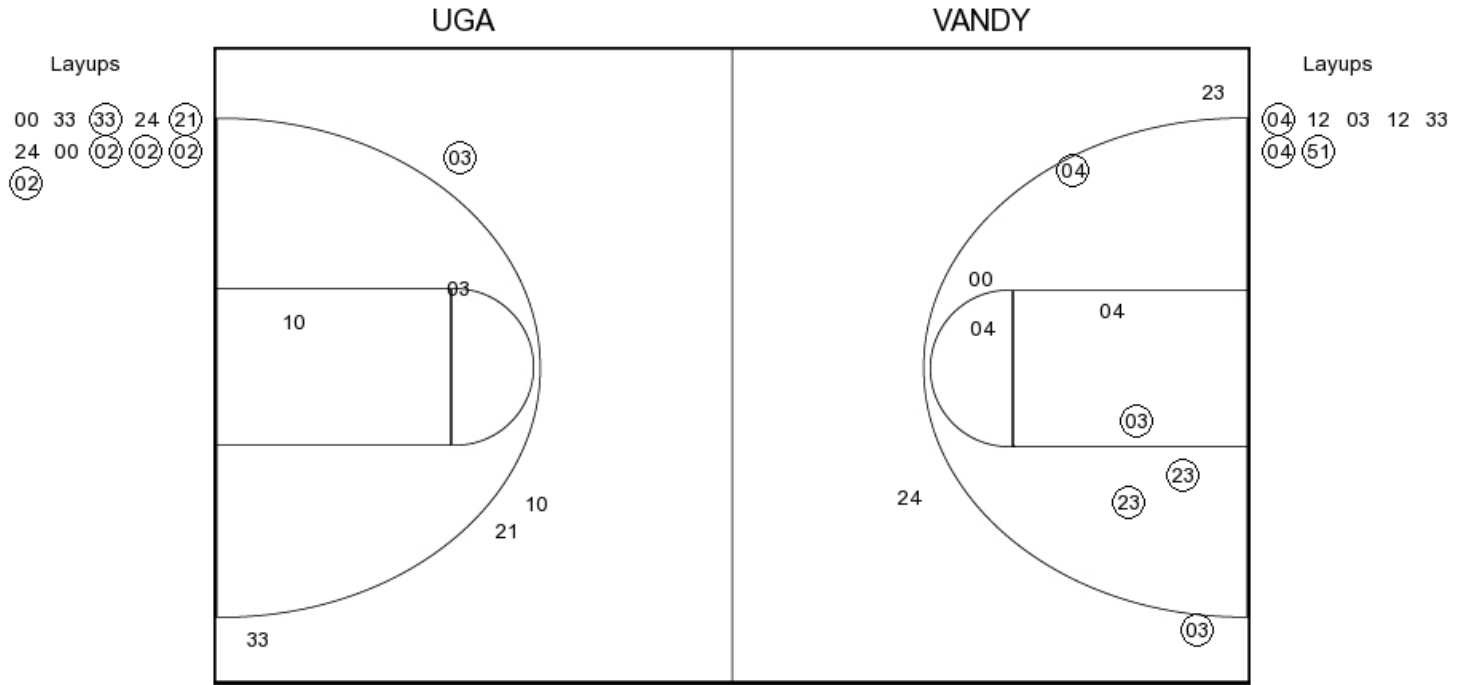
FG Made
 FG Attempted
 3PFG Made
 3PFG Attempted

VANDY PERIOD 2

FG Made
 FG Attempted
 3PFG Made
 3PFG Attempted



PERIOD 3



UGA PERIOD 3

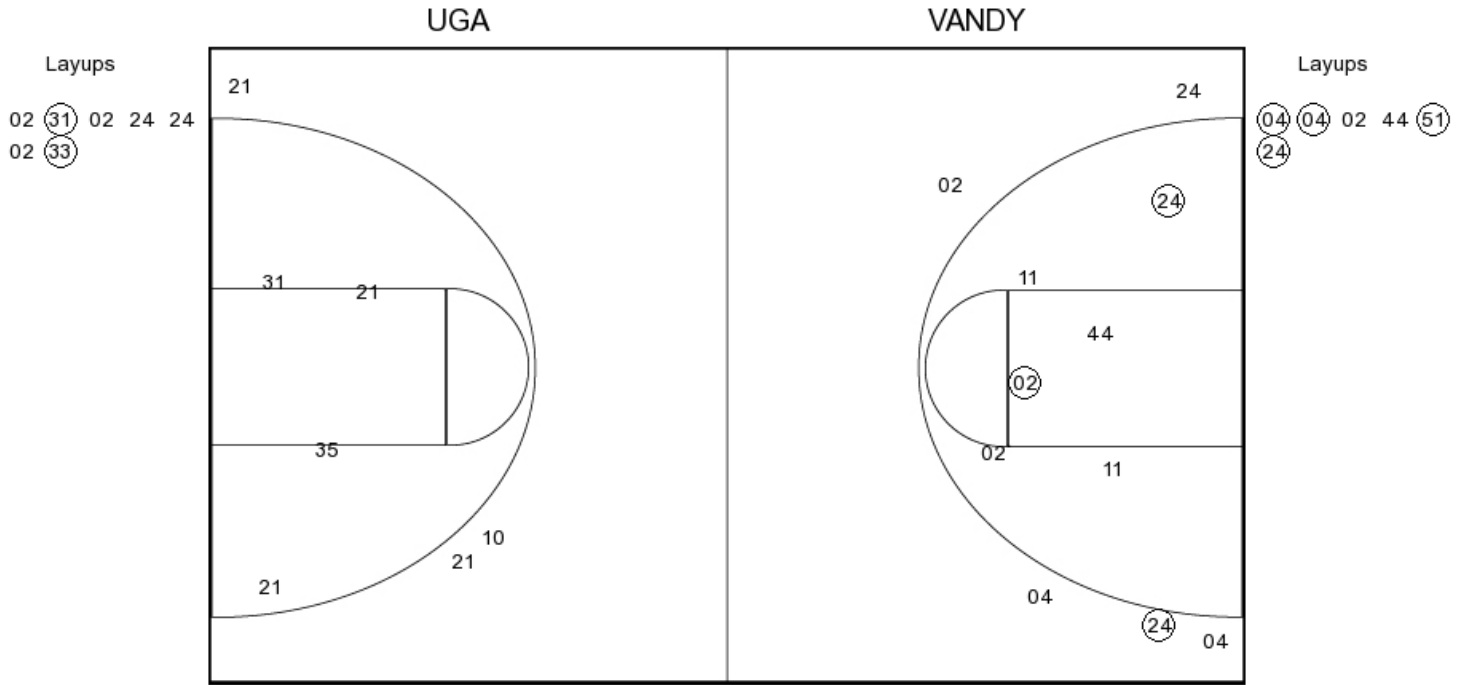
FG Made	15
FG Attempted	34
3PFG Made	2
3PFG Attempted	8

VANDY PERIOD 3

FG Made	9
FG Attempted	32
3PFG Made	1
3PFG Attempted	6



PERIOD 4



UGA PERIOD 4

FG Made
 FG Attempted
 3PFG Made
 3PFG Attempted

VANDY PERIOD 4

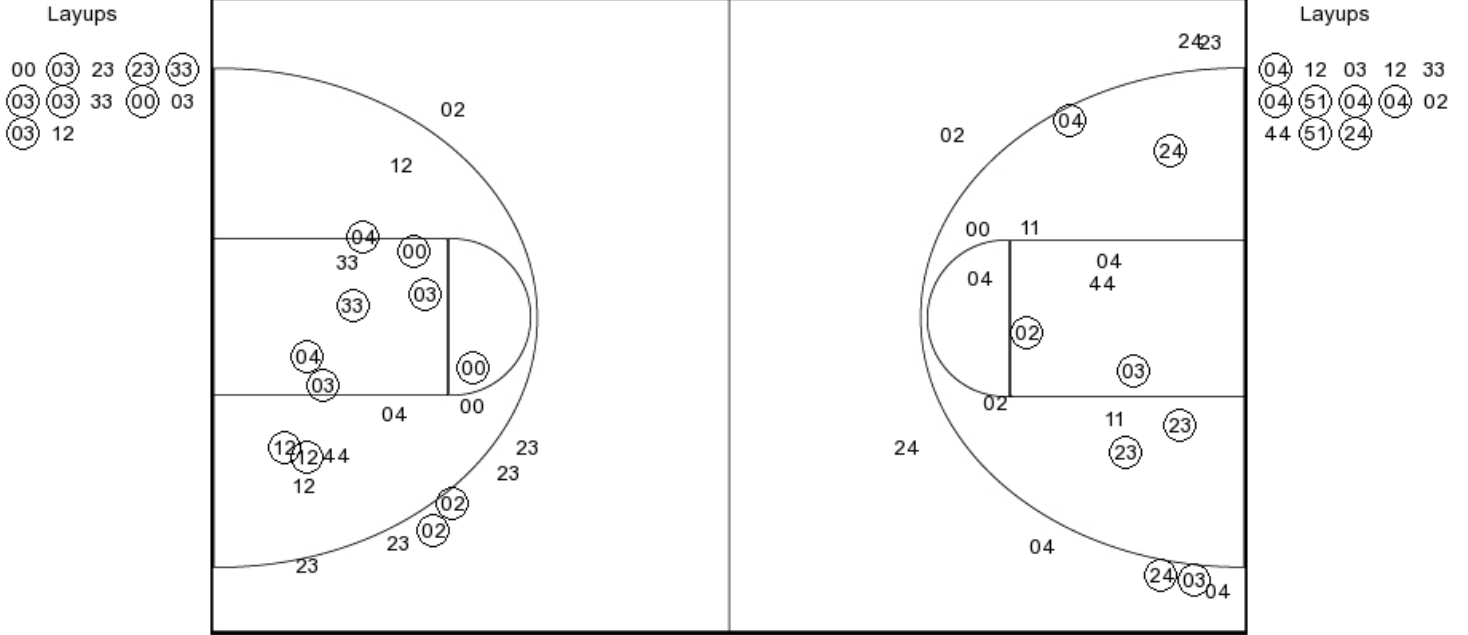
FG Made
 FG Attempted
 3PFG Made
 3PFG Attempted



Georgia

PERIOD 2

PERIOD , 3, 4



UGA PERIOD 1

FG Made	18
FG Attempted	34
3PFG Made	2
3PFG Attempted	7

UGA PERIOD 2

FG Made	
FG Attempted	
3PFG Made	
3PFG Attempted	

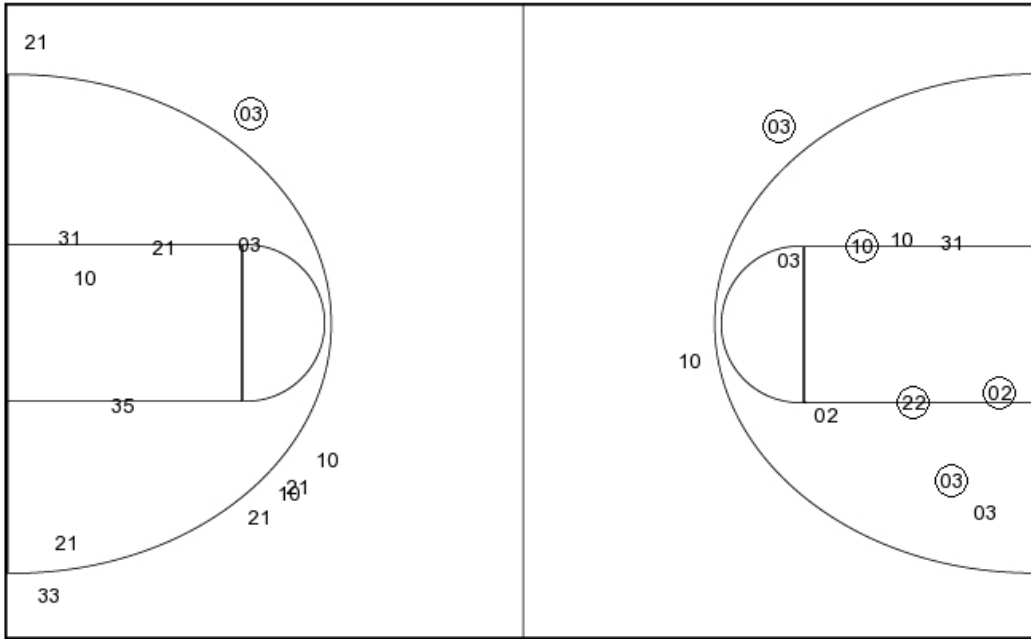


Vanderbilt

PERIOD , 3, 4

PERIOD 2

Layups
 00 33 (33) 24 (21)
 24 00 (02) (02) (02)
 (02) 02 (31) 02 24
 24 02 (33)



Layups
 02 (24) 03 35 (24)
 02 (02) 00 (02) (03)
 02

VANDY PERIOD 1

FG Made	10
FG Attempted	21
3PFG Made	1
3PFG Attempted	2

VANDY PERIOD 2

FG Made	
FG Attempted	
3PFG Made	
3PFG Attempted	