

## FINAL SCORE



**Wisconsin**

9-16, 2-10

**48**



**Nebraska**

17-7, 8-3

**51**

**February 11, 2018 • Pinnacle Bank Arena (Lincoln, Neb.)**

## FINAL STATISTICS

**Official Basketball Box Score -- Game Totals -- Final Statistics**  
**Wisconsin vs Nebraska**  
 2/11/2018 2:06 p.m. at Pinnacle Bank Arena (Lincoln, Neb.)



**Wisconsin 48 - 9-16, 2-10**

##	Player	*	Total		3-Ptr	Rebounds			PF	TP	A	TO	Blk	Stl	Min
			FG-FGA	FG-FGA	FT-FTA	Off	Def	Tot							
10	LEEUWEN,KENDRA VAN	*	0-5	0-1	0-0	0	0	0	3	0	3	1	0	1	34
11	HOWARD,MARSHA	*	11-17	0-0	1-3	5	4	9	3	23	1	2	0	2	36
22	BEVERLEY,NIYA	*	2-5	0-1	0-0	0	5	5	2	4	4	0	0	0	36
23	MCMORRIS,CAYLA	*	4-15	3-5	0-0	3	3	6	2	11	1	2	0	0	31
33	FREDRICKSON,COURT NE	*	1-6	0-1	0-0	2	4	6	1	2	3	3	1	3	32
03	GILREATH,SUZANNE		2-3	2-2	0-0	0	0	0	1	6	0	0	0	0	13
05	MARBLE,ROICHELLE		0-4	0-2	0-0	0	0	0	1	0	2	0	0	0	8
14	LASZEWSKI,ABBY		1-1	0-0	0-0	0	1	1	1	2	0	0	1	1	10
TEAM						0	3	3	0		2				
TOTALS			21-56	5-12	1-3	10	20	30	14	48	14	10	2	7	200

Deadball Rebounds: 0,0

FG %	1st Half:	13-32	40.6%	2nd Half:	8-24	33.3%	Game:	21-56	37.5%				
	1st Qtr	6-18	33.3%	2nd Qtr	7-14	50.0%	3rd Qtr	4-12	33.3%	4th Qtr	4-12	33.3%	
3FG %	1st Half:	2-8	25.0%	2nd Half:	3-4	75.0%	Game:	5-12	41.7%				
	1st Qtr	0-4	00.0%	2nd Qtr	2-4	50.0%	3rd Qtr	1-1	100.0%	4th Qtr	2-3	66.7%	
FT %	1st Half:	0-0	0%	2nd Half:	1-3	33.3%	Game:	1-3	33.3%				
	1st Qtr	0-0	0%	2nd Qtr	0-0	0%	3rd Qtr	1-2	50.0%	4th Qtr	0-1	00.0%	

**Nebraska 51 - 17-7, 8-3**

##	Player	*	Total		3-Ptr	Rebounds			PF	TP	A	TO	Blk	Stl	Min
			FG-FGA	FG-FGA	FT-FTA	Off	Def	Tot							
03	WHITISH,HANNAH	*	1-8	0-3	0-0	0	2	2	0	2	6	1	0	1	34
05	ELIELY,NICEA	*	1-6	0-1	1-1	2	3	5	1	3	1	2	0	0	25
24	SIMON,MADDIE	*	2-6	0-3	4-6	2	3	5	1	8	1	3	2	0	31
31	CAIN,KATE	*	7-10	0-0	0-0	3	6	9	4	14	0	2	2	2	26
34	CINCORE,JASMINE	*	0-2	0-1	0-0	0	2	2	4	0	1	0	0	0	20
12	WOOD,EMILY		0-0	0-0	0-0	0	0	0	0	0	0	0	0	0	1
13	MORTON,JANAY		3-6	3-5	0-0	1	2	3	0	9	1	0	0	1	17
14	MITCHELL,GRACE		0-0	0-0	0-0	0	2	2	0	0	0	1	0	0	4
15	STALLWORTH,BRIA		1-1	0-0	0-0	0	1	1	0	2	1	0	0	1	5
33	KISSINGER,TAYLOR		4-9	1-4	2-2	2	3	5	0	11	1	1	1	0	24
43	BLACKBURN,RACHEL		0-0	0-0	0-0	0	0	0	0	0	0	0	0	0	2
50	WASHINGTON,DARRIEN		1-2	0-0	0-0	0	0	0	2	2	0	2	1	0	12
TEAM						0	3	3	0		1				
TOTALS			20-50	4-17	7-9	10	27	37	12	51	12	13	6	5	201

Deadball Rebounds: 2,0

FG %	1st Half:	10-29	34.5%	2nd Half:	10-21	47.6%	Game:	20-50	40.0%				
	1st Qtr	3-13	23.1%	2nd Qtr	7-16	43.8%	3rd Qtr	4-9	44.4%	4th Qtr	6-12	50.0%	
3FG %	1st Half:	3-10	30.0%	2nd Half:	1-7	14.3%	Game:	4-17	23.5%				
	1st Qtr	1-4	25.0%	2nd Qtr	2-6	33.3%	3rd Qtr	1-5	20.0%	4th Qtr	0-2	00.0%	
FT %	1st Half:	1-2	50.0%	2nd Half:	6-7	85.7%	Game:	7-9	77.8%				
	1st Qtr	1-2	50.0%	2nd Qtr	0-0	0%	3rd Qtr	3-4	75.0%	4th Qtr	3-3	100.0%	

Officials: Bob Trammell, Cameron Inouye, Bryan Rump  
 Technical Fouls: Wisconsin- None. Nebraska- None.  
 Attendance: 6823

Score by periods	1st	2nd	3rd	4th	Total
Wisconsin	12	16	10	10	<b>48</b>
Nebraska	8	16	12	15	<b>51</b>

Points	In Paint	Off T/O	2nd Chance	Fast Break	Bench
WIS	24	15	9	0	8
NEB	26	8	9	0	24

Last FG - WIS 4th-01:39, NEB 4th-02:55.  
 Largest lead - Wisconsin by 10 2nd-07:32; Nebraska by 3 4th-02:55  
 WIS led for 27:49. NEB led for 7:54. Game was tied for 4:17.

Score tied - 5 times; Lead changed - 8 times

Official Basketball Box Score -- Game Totals -- First Half Statistics  
 Wisconsin vs Nebraska  
 2/11/2018 2:06 p.m. at Pinnacle Bank Arena (Lincoln, Neb.)



Wisconsin 28 • 9-16, 2-10

##	Player	*	Total		3-Ptr	FT-FTA	Rebounds			PF	TP	A	TO	Blk	Stl	Min
			FG-FGA	FG-FGA	FG-FGA		Off	Def	Tot							
10	LEEUWEN,KENDRA VAN	*	0-4	0-1	0-0	0	0	0	1	0	2	0	0	0	16	
11	HOWARD,MARSHA	*	6-7	0-0	0-0	2	2	4	1	12	0	0	0	1	17	
22	BEVERLEY,NIYA	*	2-4	0-1	0-0	0	3	3	0	4	2	0	0	0	17	
23	MCMORRIS,CAYLA	*	1-5	0-1	0-0	0	1	1	2	2	1	0	0	0	12	
33	FREDRICKSON,COURT NE	*	1-4	0-1	0-0	2	4	6	0	2	3	1	1	1	15	
03	GILREATH,SUZANNE		2-3	2-2	0-0	0	0	0	0	6	0	0	0	0	9	
05	MARBLE,ROICHELE		0-4	0-2	0-0	0	0	0	1	0	2	0	0	0	7	
14	LASZEWSKI,ABBY		1-1	0-0	0-0	0	1	1	0	2	0	0	0	1	7	
TEAM						0	2	2	0		0					
Totals			13-32	2-8	0-0	4	13	17	5	28	10	1	1	3	100	

FG %	1st Qtr	6-18	33.3%	2nd Qtr	7-14	50.0%	Half:	13-32	40.6%
3FG %	1st Qtr	0-4	00.0%	2nd Qtr	2-4	50.0%	Half:	2-8	25.0%
FT %	1st Qtr	0-0	0%	2nd Qtr	0-0	0%	Half:	0-0	0%

Nebraska 24 • 17-7, 8-3

##	Player	*	Total		3-Ptr	FT-FTA	Rebounds			PF	TP	A	TO	Blk	Stl	Min
			FG-FGA	FG-FGA	FG-FGA		Off	Def	Tot							
03	WHITISH,HANNAH	*	0-3	0-2	0-0	0	1	1	0	0	4	0	0	0	19	
05	ELIELY,NICEA	*	0-5	0-1	0-0	1	3	4	0	0	0	2	0	0	12	
24	SIMON,MADDIE	*	0-3	0-2	1-2	1	3	4	0	1	0	0	1	0	14	
31	CAIN,KATE	*	4-7	0-0	0-0	2	4	6	1	8	0	1	2	1	14	
34	CINCORE,JASMINE	*	0-1	0-0	0-0	0	0	0	3	0	1	0	0	0	7	
12	WOOD,EMILY		0-0	0-0	0-0	0	0	0	0	0	0	0	0	0	1	
13	MORTON,JANAY		3-4	3-4	0-0	0	0	0	0	9	1	0	0	0	10	
14	MITCHELL,GRACE		0-0	0-0	0-0	0	2	2	0	0	0	1	0	0	4	
15	STALLWORTH,H,BRIA		0-0	0-0	0-0	0	0	0	0	0	0	0	0	0	0	
33	KISSINGER,TAYLOR		2-4	0-1	0-0	2	1	3	0	4	0	1	0	0	13	
43	BLACKBURN,RACHEL		0-0	0-0	0-0	0	0	0	0	0	0	0	0	0	2	
50	WASHINGTON,DARRIEN		1-2	0-0	0-0	0	0	0	1	2	0	1	0	0	4	
TEAM						0	1	1	0		0					
Totals			10-29	3-10	1-2	6	15	21	5	24	6	6	3	1	100	

FG %	1st Qtr	3-13	23.1%	2nd Qtr	7-16	43.8%	Half:	10-29	34.5%
3FG %	1st Qtr	1-4	25.0%	2nd Qtr	2-6	33.3%	Half:	3-10	30.0%
FT %	1st Qtr	1-2	50.0%	2nd Qtr	0-0	0%	Half:	1-2	50.0%

Officials: Bob Trammell, Cameron Inouye, Bryan Rump  
 Technical Fouls: Wisconsin- None. Nebraska- None.

Score by periods	1st	2nd	3rd	4th	Total
Wisconsin	12	16	10	10	48
Nebraska	8	16	12	15	51

Points	In Paint	Off T/O	2nd Chance	Fast Break	Bench
WIS	16	5	7	0	8
NEB	12	0	4	0	15

Last FG - WIS 2nd-01:37, NEB 2nd-01:19.  
 WIS led for 15:39. NEB led for 0:28. Game was tied for 3:53.

Score tied - 3 times  
 Lead changed - 1 times

**Wisconsin vs Nebraska**  
**2/11/2018; 2:06 p.m. at Pinnacle Bank Arena (Lincoln, Neb.)**  
**Period 1 Play-By-Play**



VISITORS: Wisconsin	Time	Score	Margin	HOME: Nebraska
	09:34	2-0	H 2	GOOD! JUMPER by CAIN,KATE [PNT]
	09:34			ASSIST by CINCORE,JASMINE
GOOD! JUMPER by HOWARD,MARSHA [PNT]	09:20	2-2	T	
ASSIST by LEEUWEN,KENDRA VAN	09:20			
	09:01			MISSED JUMPER by CINCORE,JASMINE
REBOUND (DEF) by TEAM	09:01			
MISSED JUMPER by LEEUWEN,KENDRA VAN	08:34			
	08:34			REBOUND (DEF) by ELIELY,NICEA
FOUL by MCMORRIS,CAYLA	08:24			
	08:24			MISSED FT by SIMON,MADDIE
	08:24			REBOUND (DEADB) by TEAM
	08:24	3-2	H 1	GOOD! FT by SIMON,MADDIE
GOOD! JUMPER by HOWARD,MARSHA	08:10	3-4	V 1	
ASSIST by FREDRICKSON,COURTNE	08:05			
	07:48			MISSED LAYUP by WHITISH,HANNAH
REBOUND (DEF) by FREDRICKSON,COURTNE	07:48			
	07:32			FOUL by CINCORE,JASMINE
	07:27			FOUL by CINCORE,JASMINE
	07:27			SUB OUT: CINCORE,JASMINE
MISSED LAYUP by BEVERLEY,NIYA	07:25			
	07:25			REBOUND (DEF) by ELIELY,NICEA
	07:18			TURNOVER by ELIELY,NICEA
GOOD! JUMPER by HOWARD,MARSHA [PNT]	07:06	3-6	V 3	
ASSIST by FREDRICKSON,COURTNE	07:06			
	06:46	6-6	T	GOOD! 3PTR by MORTON,JANAY
	06:46			ASSIST by WHITISH,HANNAH
MISSED JUMPER by FREDRICKSON,COURTNE	06:30			
	06:30			BLOCK by SIMON,MADDIE
	06:30			REBOUND (DEF) by TEAM
	06:08			MISSED JUMPER by SIMON,MADDIE
REBOUND (DEF) by FREDRICKSON,COURTNE	06:07			
MISSED JUMPER by MCMORRIS,CAYLA	05:52			
	05:52			REBOUND (DEF) by CAIN,KATE
	05:35			MISSED 3PTR by MORTON,JANAY
REBOUND (DEF) by HOWARD,MARSHA	05:35			
MISSED JUMPER by HOWARD,MARSHA	05:21			
	05:21			BLOCK by CAIN,KATE
REBOUND (OFF) by FREDRICKSON,COURTNE	05:20			
MISSED JUMPER by MCMORRIS,CAYLA	05:19			
REBOUND (OFF) by FREDRICKSON,COURTNE	05:19			
	05:05			FOUL by CAIN,KATE
SUB IN: LASZEWSKI,ABBY	05:05			
SUB OUT: FREDRICKSON,COURTNE	05:05			
	05:05			SUB IN: KISSINGER,TAYLOR
	05:05			SUB IN: MITCHELL,GRACE
	05:05			SUB IN: WASHINGTON,DARRIEN
	05:05			SUB OUT: ELIELY,NICEA
	05:05			SUB OUT: SIMON,MADDIE
	05:05			SUB OUT: CAIN,KATE
GOOD! LAYUP by BEVERLEY,NIYA [PNT]	04:56	6-8	V 2	
	04:33	8-8	T	GOOD! JUMPER by WASHINGTON,DARRIEN [PNT]
	04:33			ASSIST by WHITISH,HANNAH
MISSED JUMPER by MCMORRIS,CAYLA	04:09			
REBOUND (OFF) by HOWARD,MARSHA	04:09			
GOOD! JUMPER by HOWARD,MARSHA	03:52	8-10	V 2	
ASSIST by LEEUWEN,KENDRA VAN	03:52			
	03:39			TURNOVER by MITCHELL,GRACE
STEAL by LASZEWSKI,ABBY	03:38			
MISSED 3PTR by LEEUWEN,KENDRA VAN	03:31			
	03:31			REBOUND (DEF) by MITCHELL,GRACE
	03:15			MISSED JUMPER by WASHINGTON,DARRIEN
REBOUND (DEF) by LASZEWSKI,ABBY	03:15			
MISSED 3PTR by MCMORRIS,CAYLA	02:47			
	02:47			REBOUND (DEF) by MITCHELL,GRACE
	02:19			MISSED JUMPER by KISSINGER,TAYLOR
REBOUND (DEF) by BEVERLEY,NIYA	02:19			
MISSED 3PTR by BEVERLEY,NIYA	01:56			
	01:56			REBOUND (DEF) by WHITISH,HANNAH
	01:32			MISSED 3PTR by WHITISH,HANNAH

VISITORS: Wisconsin	Time	Score	Margin	HOME: Nebraska
REBOUND (DEF) by MCMORRIS,CAYLA	01:32			
	01:10			FOUL by WASHINGTON,DARRIEN
TIMEOUT MEDIA	01:10			
SUB IN: FREDRICKSON,COURTNE	01:10			
SUB IN: GILREATH,SUZANNE	01:10			
SUB OUT: LEEUWEN,KENDRA VAN	01:10			
SUB OUT: HOWARD,MARSHA	01:10			
	01:10			SUB IN: WOOD,EMILY
	01:10			SUB IN: SIMON,MADDIE
	01:10			SUB IN: ELIELY,NICEA
	01:10			SUB OUT: WHITISH,HANNAH
	01:10			SUB OUT: MITCHELL,GRACE
GOOD! JUMPER by LASZEWSKI,ABBY [PNT]	01:08	8-12	V 4	
ASSIST by MCMORRIS,CAYLA	01:08			
	00:41			TURNOVER by WASHINGTON,DARRIEN
SUB IN: MARBLE,ROICHELLE	00:41			
SUB OUT: MCMORRIS,CAYLA	00:41			
	00:41			SUB IN: BLACKBURN,RACHEL
	00:41			SUB OUT: WASHINGTON,DARRIEN
MISSED JUMPER by GILREATH,SUZANNE	00:29			
	00:29			REBOUND (DEF) by SIMON,MADDIE
	00:20			MISSED JUMPER by ELIELY,NICEA
	00:20			REBOUND (OFF) by ELIELY,NICEA
	00:16			MISSED JUMPER by ELIELY,NICEA
BLOCK by FREDRICKSON,COURTNE	00:16			
REBOUND (DEF) by FREDRICKSON,COURTNE	00:15			
MISSED 3PTR by MARBLE,ROICHELLE	00:04			
	00:04			REBOUND (DEF) by SIMON,MADDIE
	00:00			MISSED 3PTR by SIMON,MADDIE
REBOUND (DEF) by TEAM	00:00			

Wisconsin 12, Nebraska 8

Period 1-only	In Paint	Off T/O	2nd Chance	Fast Break	Bench	
WIS	8	2	4	0	2	Score tied - 2 times
NEB	4	0	0	0	5	Lead changed - 2 times

**Wisconsin vs Nebraska**  
**2/11/2018; 2:06 p.m. at Pinnacle Bank Arena (Lincoln, Neb.)**  
**Period 2 Play-By-Play**



VISITORS: Wisconsin	Time	Score	Margin	HOME: Nebraska
SUB IN: MARBLE,ROICHELLE	10:00			
SUB IN: LASZEWSKI,ABBY	10:00			
SUB IN: GILREATH,SUZANNE	10:00			
SUB OUT: HOWARD,MARSHA	10:00			
SUB OUT: BEVERLEY,NIYA	10:00			
SUB OUT: MCMORRIS,CAYLA	10:00			
	10:00			SUB IN: KISSINGER,TAYLOR
	10:00			SUB IN: BLACKBURN,RACHEL
	10:00			SUB OUT: CAIN,KATE
	10:00			SUB OUT: CINCORE,JASMINE
GOOD! 3PTR by GILREATH,SUZANNE	09:44	8-15	V 7	
ASSIST by MARBLE,ROICHELLE	09:44			
	09:17			MISSED JUMPER by ELIELY,NICEA
	09:17			REBOUND (OFF) by KISSINGER,TAYLOR
	08:58			TURNOVER by KISSINGER,TAYLOR
SUB IN: HOWARD,MARSHA	08:58			
SUB OUT: LASZEWSKI,ABBY	08:58			
	08:58			SUB IN: CAIN,KATE
	08:58			SUB OUT: BLACKBURN,RACHEL
MISSED JUMPER by LEEUWEN,KENDRA VAN	08:38			
	08:38			BLOCK by CAIN,KATE
	08:36			REBOUND (DEF) by ELIELY,NICEA
	08:32			TURNOVER by ELIELY,NICEA
STEAL by FREDRICKSON,COURTNE	08:31			
MISSED JUMPER by LEEUWEN,KENDRA VAN	08:20			
	08:20			REBOUND (DEF) by CAIN,KATE
	08:15			MISSED 3PTR by KISSINGER,TAYLOR
	08:15			REBOUND (OFF) by SIMON,MADDIE
	07:52			TURNOVER by CAIN,KATE
STEAL by HOWARD,MARSHA	07:51			
MISSED JUMPER by FREDRICKSON,COURTNE	07:37			
REBOUND (OFF) by HOWARD,MARSHA	07:37			
GOOD! 3PTR by GILREATH,SUZANNE	07:32	8-18	V 10	
ASSIST by MARBLE,ROICHELLE	07:32			
	07:17			MISSED 3PTR by SIMON,MADDIE
REBOUND (DEF) by HOWARD,MARSHA	07:17			
MISSED 3PTR by FREDRICKSON,COURTNE	07:02			
	07:02			REBOUND (DEF) by CAIN,KATE
FOUL by HOWARD,MARSHA	07:00			
SUB IN: BEVERLEY,NIYA	07:00			
SUB IN: MCMORRIS,CAYLA	07:00			
SUB OUT: LEEUWEN,KENDRA VAN	07:00			
SUB OUT: MARBLE,ROICHELLE	07:00			
	07:00			SUB IN: MORTON,JANAY
	07:00			SUB IN: CINCORE,JASMINE
	07:00			SUB OUT: ELIELY,NICEA
	07:00			SUB OUT: KISSINGER,TAYLOR
	06:44			MISSED JUMPER by CAIN,KATE
	06:42			REBOUND (OFF) by CAIN,KATE
	06:39	10-18	V 8	GOOD! JUMPER by CAIN,KATE [PNT]
GOOD! LAYUP by MCMORRIS,CAYLA [PNT]	06:17	10-20	V 10	
	06:00	13-20	V 7	GOOD! 3PTR by MORTON,JANAY
	06:00			ASSIST by WHITISH,HANNAH
GOOD! LAYUP by HOWARD,MARSHA [PNT]	05:37	13-22	V 9	
ASSIST by FREDRICKSON,COURTNE	05:37			
	05:19	16-22	V 6	GOOD! 3PTR by MORTON,JANAY
GOOD! JUMPER by BEVERLEY,NIYA [PNT]	04:59	16-24	V 8	
	04:51			TIMEOUT MEDIA
SUB IN: MARBLE,ROICHELLE	04:51			
SUB IN: LASZEWSKI,ABBY	04:51			
SUB OUT: HOWARD,MARSHA	04:51			
SUB OUT: GILREATH,SUZANNE	04:51			
	04:51			SUB IN: KISSINGER,TAYLOR
	04:51			SUB OUT: SIMON,MADDIE
	04:49	18-24	V 6	GOOD! JUMPER by CAIN,KATE [PNT]
	04:49			ASSIST by MORTON,JANAY
MISSED LAYUP by MARBLE,ROICHELLE	04:16			
	04:16			REBOUND (DEF) by KISSINGER,TAYLOR
	04:08			MISSED 3PTR by WHITISH,HANNAH

<b>VISITORS: Wisconsin</b>	<b>Time</b>	<b>Score</b>	<b>Margin</b>	<b>HOME: Nebraska</b>
REBOUND (DEF) by FREDRICKSON,COURTNE	04:08			
MISSED JUMPER by MARBLE,ROICHELLE	03:48			
	03:48			REBOUND (DEF) by CAIN,KATE
FOUL by MCMORRIS,CAYLA	03:34			
SUB IN: HOWARD,MARSHA	03:34			
SUB IN: LEEUWEN,KENDRA VAN	03:34			
SUB IN: GILREATH,SUZANNE	03:34			
SUB OUT: MCMORRIS,CAYLA	03:34			
SUB OUT: LASZEWSKI,ABBY	03:34			
SUB OUT: FREDRICKSON,COURTNE	03:34			
	03:17	20-24	V 4	GOOD! JUMPER by CAIN,KATE
	03:17			ASSIST by WHITISH,HANNAH
	02:49			FOUL by CINCORE,JASMINE
SUB IN: FREDRICKSON,COURTNE	02:49			
SUB OUT: MARBLE,ROICHELLE	02:49			
	02:49			SUB IN: SIMON,MADDIE
	02:49			SUB IN: ELIELY,NICEA
	02:49			SUB OUT: MORTON,JANAY
	02:49			SUB OUT: CINCORE,JASMINE
GOOD! JUMPER by FREDRICKSON,COURTNE	02:30	20-26	V 6	
ASSIST by BEVERLEY,NIYA	02:30			
	02:05			MISSED LAYUP by ELIELY,NICEA
	02:05			REBOUND (OFF) by CAIN,KATE
	02:03			MISSED JUMPER by CAIN,KATE
	02:03			REBOUND (OFF) by KISSINGER,TAYLOR
	02:01	22-26	V 4	GOOD! JUMPER by KISSINGER,TAYLOR [PNT]
GOOD! LAYUP by HOWARD,MARSHA [PNT]	01:37	22-28	V 6	
ASSIST by BEVERLEY,NIYA	01:37			
SUB IN: MARBLE,ROICHELLE	01:27			
SUB OUT: GILREATH,SUZANNE	01:27			
	01:19	24-28	V 4	GOOD! JUMPER by KISSINGER,TAYLOR [PNT]
TURNOVER by FREDRICKSON,COURTNE	00:58			
	00:57			STEAL by CAIN,KATE
	00:47			MISSED 3PTR by ELIELY,NICEA
REBOUND (DEF) by BEVERLEY,NIYA	00:47			
MISSED 3PTR by MARBLE,ROICHELLE	00:16			
	00:16			REBOUND (DEF) by SIMON,MADDIE
FOUL by LEEUWEN,KENDRA VAN	00:08			
SUB IN: LASZEWSKI,ABBY	00:08			
SUB OUT: HOWARD,MARSHA	00:08			
FOUL by MARBLE,ROICHELLE	00:06			
	00:01			MISSED JUMPER by CAIN,KATE
REBOUND (DEF) by BEVERLEY,NIYA	00:01			

Wisconsin 28, Nebraska 24

<b>Period 2-only</b>	<b>In Paint</b>	<b>Off T/O</b>	<b>2nd Chance</b>	<b>Fast Break</b>	<b>Bench</b>	
WIS	8	3	3	0	6	Score tied - 0 times
NEB	8	0	4	0	10	Lead changed - 0 times

Official Basketball Box Score -- Game Totals -- Second Half Statistics  
 Wisconsin vs Nebraska  
 2/11/2018 2:06 p.m. at Pinnacle Bank Arena (Lincoln, Neb.)



Wisconsin 20 • 9-16, 2-10

##	Player	*	Total		3-Ptr	Rebounds			PF	TP	A	TO	Blk	Stl	Min
			FG-FGA	FG-FGA	FT-FTA	Off	Def	Tot							
10	LEEUWEN,KENDRA VAN	*	0-1	0-0	0-0	0	0	0	2	0	1	1	0	1	18
11	HOWARD,MARSHA	*	5-10	0-0	1-3	3	2	5	2	11	1	2	0	1	19
22	BEVERLEY,NIYA	*	0-1	0-0	0-0	0	2	2	2	0	2	0	0	0	19
23	MCMORRIS,CAYLA	*	3-10	3-4	0-0	3	2	5	0	9	0	2	0	0	19
33	FREDRICKSON,COURT NE	*	0-2	0-0	0-0	0	0	0	1	0	0	2	0	2	17
03	GILREATH,SUZANNE		0-0	0-0	0-0	0	0	0	1	0	0	0	0	0	4
05	MARBLE,ROIHELLE		0-0	0-0	0-0	0	0	0	0	0	0	0	0	0	1
14	LASZEWSKI,ABBY		0-0	0-0	0-0	0	0	0	1	0	0	0	1	0	3
TEAM						0	1	1	0			2			
Totals			8-24	3-4	1-3	6	7	13	9	20	4	9	1	4	100
FG %	3rd Qtr	4-12	33.3%	4th Qtr	4-12	33.3%	Half:	8-24	33.3%						
3FG %	3rd Qtr	1-1	100.0%	4th Qtr	2-3	66.7%	Half:	3-4	25.0%						
FT %	3rd Qtr	1-2	50.0%	4th Qtr	0-1	00.0%	Half:	1-3	33.3%						

Nebraska 27 • 17-7, 8-3

##	Player	*	Total		3-Ptr	Rebounds			PF	TP	A	TO	Blk	Stl	Min
			FG-FGA	FG-FGA	FT-FTA	Off	Def	Tot							
03	WHITISH,HANNAH	*	1-5	0-1	0-0	0	1	1	0	2	2	1	0	1	15
05	ELIELY,NICEA	*	1-1	0-0	1-1	1	0	1	1	3	1	0	0	0	13
24	SIMON,MADDIE	*	2-3	0-1	3-4	1	0	1	1	7	1	3	1	0	17
31	CAIN,KATE	*	3-3	0-0	0-0	1	2	3	3	6	0	1	0	1	12
34	CINCORE,JASMINE	*	0-1	0-1	0-0	0	2	2	1	0	0	0	0	0	13
12	WOOD,EMILY		0-0	0-0	0-0	0	0	0	0	0	0	0	0	0	0
13	MORTON,JANAY		0-2	0-1	0-0	1	2	3	0	0	0	0	0	1	7
14	MITCHELL,GRACE		0-0	0-0	0-0	0	0	0	0	0	0	0	0	0	0
15	STALLWORTH,BRIA		1-1	0-0	0-0	0	1	1	0	2	1	0	0	1	5
33	KISSINGER,TAYLOR		2-5	1-3	2-2	0	2	2	0	7	1	0	1	0	11
43	BLACKBURN,RACHEL		0-0	0-0	0-0	0	0	0	0	0	0	0	0	0	0
50	WASHINGTON,DARRIEN		0-0	0-0	0-0	0	0	0	1	0	0	1	1	0	8
TEAM						0	2	2	0			1			
Totals			10-21	1-7	6-7	4	12	16	7	27	6	7	3	4	101
FG %	3rd Qtr	4-9	44.4%	4th Qtr	6-12	50.0%	Half:	10-21	47.6%						
3FG %	3rd Qtr	1-5	20.0%	4th Qtr	0-2	00.0%	Half:	1-7	30.0%						
FT %	3rd Qtr	3-4	75.0%	4th Qtr	3-3	100.0%	Half:	6-7	85.7%						

Officials: Bob Trammell, Cameron Inouye, Bryan Rump  
 Technical Fouls: Wisconsin- None. Nebraska- None.

Score by periods	1st	2nd	3rd	4th	Total
Wisconsin	12	16	10	10	48
Nebraska	8	16	12	15	51

Points	In Paint	Off T/O	2nd Chance	Fast Break	Bench
WIS	8	10	2	0	0
	14	8	5	0	9

Last FG - WIS 4th-01:39, NEB 4th-02:55.  
 WIS led for 12:10. NEB led for 7:26. Game was tied for 0:24.

Score tied - 2 times  
 Lead changed - 7 times



**Wisconsin vs Nebraska**  
**2/11/2018; 2:06 p.m. at Pinnacle Bank Arena (Lincoln, Neb.)**  
**Period 3 Play-By-Play**



VISITORS: Wisconsin	Time	Score	Margin	HOME: Nebraska
TURNOVER by TEAM	09:30			
	09:20			TURNOVER by CAIN,KATE
STEAL by FREDRICKSON,COURTNE	09:19			
GOOD! JUMPER by HOWARD,MARSHA [PNT]	09:08	24-30	V 6	
	08:48			TURNOVER by SIMON,MADDIE
MISSED JUMPER by MCMORRIS,CAYLA	08:26			
	08:26			REBOUND (DEF) by CAIN,KATE
	08:05			MISSED 3PTR by WHITISH,HANNAH
	08:05			REBOUND (OFF) by CAIN,KATE
	08:02	26-30	V 4	GOOD! JUMPER by CAIN,KATE [PNT]
GOOD! JUMPER by HOWARD,MARSHA	07:35	26-32	V 6	
	07:18	28-32	V 4	GOOD! JUMPER by WHITISH,HANNAH [PNT]
MISSED LAYUP by HOWARD,MARSHA	07:03			
REBOUND (OFF) by MCMORRIS,CAYLA	07:03			
TURNOVER by MCMORRIS,CAYLA	07:01			
	07:00			STEAL by CAIN,KATE
	06:55			TURNOVER by WHITISH,HANNAH
STEAL by FREDRICKSON,COURTNE	06:54			
GOOD! LAYUP by HOWARD,MARSHA [PNT]	06:37	28-34	V 6	
	06:27			TURNOVER by SIMON,MADDIE
SUB IN: GILREATH,SUZANNE	06:27			
SUB OUT: LEEUWEN,KENDRA VAN	06:27			
MISSED JUMPER by FREDRICKSON,COURTNE	06:12			
REBOUND (OFF) by HOWARD,MARSHA	06:12			
MISSED JUMPER by HOWARD,MARSHA	06:04			
REBOUND (OFF) by MCMORRIS,CAYLA	06:04			
MISSED JUMPER by MCMORRIS,CAYLA	05:59			
	05:59			REBOUND (DEF) by CAIN,KATE
	05:43			MISSED 3PTR by CINCORE,JASMINE
REBOUND (DEF) by HOWARD,MARSHA	05:43			
	05:24			FOUL by SIMON,MADDIE
GOOD! FT by HOWARD,MARSHA	05:24	28-35	V 7	
MISSED FT by HOWARD,MARSHA	05:24			
REBOUND (OFF) by HOWARD,MARSHA	05:24			
	05:24			SUB IN: KISSINGER,TAYLOR
	05:24			SUB IN: MORTON,JANAY
	05:24			SUB IN: WASHINGTON,DARRIEN
	05:24			SUB OUT: ELIELY,NICEA
	05:24			SUB OUT: CAIN,KATE
	05:24			SUB OUT: CINCORE,JASMINE
TURNOVER by FREDRICKSON,COURTNE	05:04			
	05:03			STEAL by WHITISH,HANNAH
FOUL by FREDRICKSON,COURTNE	04:44			
	04:44			TIMEOUT MEDIA
	04:44			MISSED 3PTR by MORTON,JANAY
REBOUND (DEF) by MCMORRIS,CAYLA	04:44			
SUB IN: LEEUWEN,KENDRA VAN	04:44			
SUB IN: LASZEWSKI,ABBY	04:44			
SUB OUT: HOWARD,MARSHA	04:44			
SUB OUT: FREDRICKSON,COURTNE	04:44			
	04:44			SUB IN: STALLWORTH,BRIA
	04:44			SUB OUT: WHITISH,HANNAH
MISSED JUMPER by MCMORRIS,CAYLA	04:34			
	04:34			BLOCK by KISSINGER,TAYLOR
	04:32			REBOUND (DEF) by MORTON,JANAY
	04:14			MISSED JUMPER by KISSINGER,TAYLOR
BLOCK by LASZEWSKI,ABBY	04:14			
REBOUND (DEF) by TEAM	04:12			
MISSED JUMPER by MCMORRIS,CAYLA	03:43			
	03:43			BLOCK by SIMON,MADDIE
	03:40			REBOUND (DEF) by STALLWORTH,BRIA
FOUL by GILREATH,SUZANNE	03:31			
	03:31	29-35	V 6	GOOD! FT by KISSINGER,TAYLOR
	03:31	30-35	V 5	GOOD! FT by KISSINGER,TAYLOR
SUB IN: HOWARD,MARSHA	03:31			
SUB OUT: MCMORRIS,CAYLA	03:31			
TURNOVER by HOWARD,MARSHA	03:10			
	03:09			STEAL by STALLWORTH,BRIA
	02:55			MISSED 3PTR by KISSINGER,TAYLOR

VISITORS: Wisconsin	Time	Score	Margin	HOME: Nebraska
	02:55			REBOUND (OFF) by MORTON,JANAY
FOUL by LASZEWSKI,ABBY	02:49			
	02:49			MISSED FT by SIMON,MADDIE
	02:49			REBOUND (DEADB) by TEAM
	02:49	31-35	V 4	GOOD! FT by SIMON,MADDIE
SUB IN: MARBLE,ROICHELLE	02:49			
SUB OUT: BEVERLEY,NIYA	02:49			
TURNOVER by LEEUWEN,KENDRA VAN	02:23			
	02:22			STEAL by MORTON,JANAY
FOUL by LEEUWEN,KENDRA VAN	02:21			
SUB IN: MCMORRIS,CAYLA	02:21			
SUB OUT: GILREATH,SUZANNE	02:21			
	02:08	34-35	V 1	GOOD! 3PTR by KISSINGER,TAYLOR
	02:08			ASSIST by STALLWORTH,BRIA
TIMEOUT TEAM	02:04			
SUB IN: FREDRICKSON,COURTNE	02:04			
SUB OUT: MARBLE,ROICHELLE	02:04			
TURNOVER by MCMORRIS,CAYLA	01:46			
SUB IN: BEVERLEY,NIYA	01:46			
SUB OUT: LASZEWSKI,ABBY	01:46			
	01:30	36-35	H 1	GOOD! JUMPER by STALLWORTH,BRIA
MISSED JUMPER by HOWARD,MARSHA	01:12			
	01:12			REBOUND (DEF) by KISSINGER,TAYLOR
	00:45			TURNOVER by WASHINGTON,DARRIEN
STEAL by HOWARD,MARSHA	00:44			
	00:27			FOUL by WASHINGTON,DARRIEN
GOOD! 3PTR by MCMORRIS,CAYLA	00:03	36-38	V 2	
ASSIST by BEVERLEY,NIYA	00:03			

Wisconsin 48, Nebraska 51

Period 3-only	In Paint	Off T/O	2nd Chance	Fast Break	Bench	
WIS	4	7	0	0	0	Score tied - 0 times
NEB	4	6	3	0	7	Lead changed - 2 times

**Wisconsin vs Nebraska**  
**2/11/2018; 2:06 p.m. at Pinnacle Bank Arena (Lincoln, Neb.)**  
**Period 4 Play-By-Play**



VISITORS: Wisconsin	Time	Score	Margin	HOME: Nebraska
	10:00			SUB IN: MORTON,JANAY
	10:00			SUB OUT: CINCORE,JASMINE
	09:52			SUB IN: KISSINGER,TAYLOR
	09:52			SUB OUT: ELIELY,NICEA
	09:47	38-38	T	GOOD! JUMPER by CAIN,KATE [PNT]
	09:45			ASSIST by SIMON,MADDIE
GOOD! 3PTR by MCMORRIS,CAYLA	09:23	38-41	V 3	
ASSIST by HOWARD,MARSHA	09:23			
	09:04			MISSED JUMPER by MORTON,JANAY
	09:04			REBOUND (OFF) by SIMON,MADDIE
	08:58	40-41	V 1	GOOD! JUMPER by SIMON,MADDIE [PNT]
MISSED JUMPER by MCMORRIS,CAYLA	08:36			
	08:36			REBOUND (DEF) by MORTON,JANAY
	08:25	42-41	H 1	GOOD! JUMPER by SIMON,MADDIE
	08:25			ASSIST by WHITISH,HANNAH
	07:56			FOUL by CAIN,KATE
	07:56			SUB IN: ELIELY,NICEA
	07:56			SUB IN: CINCORE,JASMINE
	07:56			SUB OUT: KISSINGER,TAYLOR
	07:56			SUB OUT: MORTON,JANAY
GOOD! LAYUP by HOWARD,MARSHA [PNT]	07:39	42-43	V 1	
ASSIST by LEEUWEN,KENDRA VAN	07:34			
	07:11			MISSED 3PTR by SIMON,MADDIE
REBOUND (DEF) by HOWARD,MARSHA	07:11			
	06:52			FOUL by CAIN,KATE
MISSED JUMPER by MCMORRIS,CAYLA	06:27			
	06:27			REBOUND (DEF) by TEAM
	06:09	44-43	H 1	GOOD! JUMPER by CAIN,KATE [PNT]
	06:09			ASSIST by ELIELY,NICEA
TURNOVER by HOWARD,MARSHA	05:51			
FOUL by HOWARD,MARSHA	05:33			
	05:27			MISSED JUMPER by WHITISH,HANNAH
	05:27			REBOUND (OFF) by ELIELY,NICEA
	05:13			TURNOVER by SIMON,MADDIE
STEAL by LEEUWEN,KENDRA VAN	05:12			
	04:47			FOUL by CAIN,KATE
TIMEOUT MEDIA	04:47			
	04:47			SUB IN: KISSINGER,TAYLOR
	04:47			SUB IN: WASHINGTON,DARRIEN
	04:47			SUB OUT: SIMON,MADDIE
	04:47			SUB OUT: CAIN,KATE
GOOD! 3PTR by MCMORRIS,CAYLA	04:46	44-46	V 2	
ASSIST by BEVERLEY,NIYA	04:46			
	04:28			MISSED 3PTR by KISSINGER,TAYLOR
REBOUND (DEF) by BEVERLEY,NIYA	04:28			
MISSED JUMPER by LEEUWEN,KENDRA VAN	03:58			
	03:58			REBOUND (DEF) by KISSINGER,TAYLOR
	03:50	46-46	T	GOOD! JUMPER by ELIELY,NICEA [PNT]
	03:50			ASSIST by KISSINGER,TAYLOR
FOUL by LEEUWEN,KENDRA VAN	03:50			
	03:50	47-46	H 1	GOOD! FT by ELIELY,NICEA
	03:38			FOUL by ELIELY,NICEA
MISSED 3PTR by MCMORRIS,CAYLA	03:18			
REBOUND (OFF) by HOWARD,MARSHA	03:18			
MISSED JUMPER by HOWARD,MARSHA	03:14			
	03:14			REBOUND (DEF) by WHITISH,HANNAH
	02:55	49-46	H 3	GOOD! JUMPER by KISSINGER,TAYLOR [PNT]
	02:55			ASSIST by WHITISH,HANNAH
TIMEOUT 30SEC	02:48			
MISSED JUMPER by HOWARD,MARSHA	02:25			
	02:25			BLOCK by WASHINGTON,DARRIEN
	02:23			REBOUND (DEF) by CINCORE,JASMINE
	02:02			MISSED JUMPER by WHITISH,HANNAH
REBOUND (DEF) by BEVERLEY,NIYA	02:02			
MISSED JUMPER by FREDRICKSON,COURTNE	01:46			
REBOUND (OFF) by MCMORRIS,CAYLA	01:46			
GOOD! JUMPER by HOWARD,MARSHA [PNT]	01:39	49-48	H 1	
	01:39			FOUL by CINCORE,JASMINE
MISSED FT by HOWARD,MARSHA	01:39			

VISITORS: Wisconsin	Time	Score	Margin	HOME: Nebraska
	01:39			REBOUND (DEF) by CINCORE,JASMINE
	01:30			TIMEOUT 30SEC
	01:30			SUB IN: CAIN,KATE
	01:30			SUB OUT: WASHINGTON,DARRIEN
	01:18			TURNOVER by TEAM
SUB IN: GILREATH,SUZANNE	01:18			
SUB OUT: LEEUWEN,KENDRA VAN	01:18			
	01:18			SUB IN: SIMON,MADDIE
	01:18			SUB OUT: KISSINGER,TAYLOR
TURNOVER by FREDRICKSON,COURTNE	00:53			
SUB IN: LEEUWEN,KENDRA VAN	00:53			
SUB OUT: GILREATH,SUZANNE	00:53			
	00:50			TIMEOUT 30SEC
	00:50			SUB IN: KISSINGER,TAYLOR
	00:50			SUB IN: MORTON,JANAY
	00:50			SUB OUT: ELIELY,NICEA
	00:50			SUB OUT: CINCORE,JASMINE
	00:29			MISSED JUMPER by WHITISH,HANNAH
REBOUND (DEF) by MCMORRIS,CAYLA	00:29			
TIMEOUT 30SEC	00:26			
	00:26			SUB IN: CINCORE,JASMINE
	00:26			SUB IN: ELIELY,NICEA
	00:26			SUB OUT: KISSINGER,TAYLOR
	00:26			SUB OUT: MORTON,JANAY
TIMEOUT 30SEC	00:05			
TURNOVER by TEAM	00:05			
	00:05			TIMEOUT 30SEC
SUB IN: MARBLE,ROICHELLE	00:05			
SUB IN: GILREATH,SUZANNE	00:05			
SUB OUT: FREDRICKSON,COURTNE	00:05			
FOUL by BEVERLEY,NIYA	00:04			
FOUL by BEVERLEY,NIYA	00:02			
	00:02			TIMEOUT 30SEC
SUB IN: LASZEWSKI,ABBY	00:02			
SUB OUT: LEEUWEN,KENDRA VAN	00:02			
FOUL by HOWARD,MARSHA	00:01			
	00:01	50-48	H 2	GOOD! FT by SIMON,MADDIE
	00:01	51-48	H 3	GOOD! FT by SIMON,MADDIE
SUB IN: LEEUWEN,KENDRA VAN	00:01			
SUB OUT: MARBLE,ROICHELLE	00:01			
SUB OUT: LASZEWSKI,ABBY	00:01			
MISSED JUMPER by BEVERLEY,NIYA	00:00			
	00:00			REBOUND (DEF) by TEAM

Wisconsin 48, Nebraska 51

Period 4-only	In Paint	Off T/O	2nd Chance	Fast Break	Bench	
WIS	4	3	2	0	0	Score tied - 0 times
NEB	10	2	2	0	2	Lead changed - 4 times

**Wisconsin vs Nebraska**  
**2/11/2018; 2:06 p.m. at Pinnacle Bank Arena (Lincoln, Neb.)**  
**Scoring/Runs Reference**



**Period 1**

Wisconsin	VRun	Score	Margin	HRun	Nebraska
		0-2	2		CAIN JUMPER [P] - 09:34
09:20 - HOWARD JUMPER [P]	-	2-2	0		
		2-3	1		SIMON FT - 08:24
08:10 - HOWARD JUMPER	-	4-3	-1		
07:06 - HOWARD JUMPER [P]	4-0	6-3	-3		
		6-6	0		MORTON 3PTR - 06:46
04:56 - BEVERLEY LAYUP [P]	-	8-6	-2		
		8-8	0		WASHINGTON JUMPER [P] - 04:33
03:52 - HOWARD JUMPER	-	10-8	-2		
01:08 - LASZEWSKI JUMPER [P]	4-0	12-8	-4		

**Wisconsin vs Nebraska**  
**2/11/2018; 2:06 p.m. at Pinnacle Bank Arena (Lincoln, Neb.)**  
**Scoring/Runs Reference**



**Period 2**

Wisconsin	VRun	Score	Margin	HRun	Nebraska
09:44 - GILREATH 3PTR	-	15-8	-7		
07:32 - GILREATH 3PTR	NaN-0	18-8	-10		
		18-10	-8		CAIN JUMPER [P] - 06:39
06:17 - MCMORRIS LAYUP [P]	-	20-10	-10		
		20-13	-7		MORTON 3PTR - 06:00
05:37 - HOWARD LAYUP [P]	-	22-13	-9		
		22-16	-6		MORTON 3PTR - 05:19
04:59 - BEVERLEY JUMPER [P]	-	24-16	-8		
		24-18	-6		CAIN JUMPER [P] - 04:49
		24-20	-4	4-0	CAIN JUMPER - 03:17
02:30 - FREDRICKSON JUMPER	-	26-20	-6		
		26-22	-4		KISSINGER JUMPER [P] - 02:01
01:37 - HOWARD LAYUP [P]	-	28-22	-6		
		28-24	-4		KISSINGER JUMPER [P] - 01:19

**Wisconsin vs Nebraska**  
**2/11/2018; 2:06 p.m. at Pinnacle Bank Arena (Lincoln, Neb.)**  
**Scoring/Runs Reference**



**Period 3**

Wisconsin	VRun	Score	Margin	HRun	Nebraska
09:08 - HOWARD JUMPER [P]	-	30-24	-6		
		30-26	-4		CAIN JUMPER [P] - 08:02
07:35 - HOWARD JUMPER	-	32-26	-6		
		32-28	-4		WHITISH JUMPER [P] - 07:18
06:37 - HOWARD LAYUP [P]	-	34-28	-6		
05:24 - HOWARD FT	3-0	35-28	-7		
		35-29	-6		KISSINGER FT - 03:31
		35-30	-5	2-0	KISSINGER FT - 03:31
		35-31	-4	3-0	SIMON FT - 02:49
		35-34	-1	6-0	KISSINGER 3PTR - 02:08
		35-36	1	8-0	STALLWORTH JUMPER - 01:30
00:03 - MCMORRIS 3PTR	-	38-36	-2		

**Wisconsin vs Nebraska**  
**2/11/2018; 2:06 p.m. at Pinnacle Bank Arena (Lincoln, Neb.)**  
**Scoring/Runs Reference**



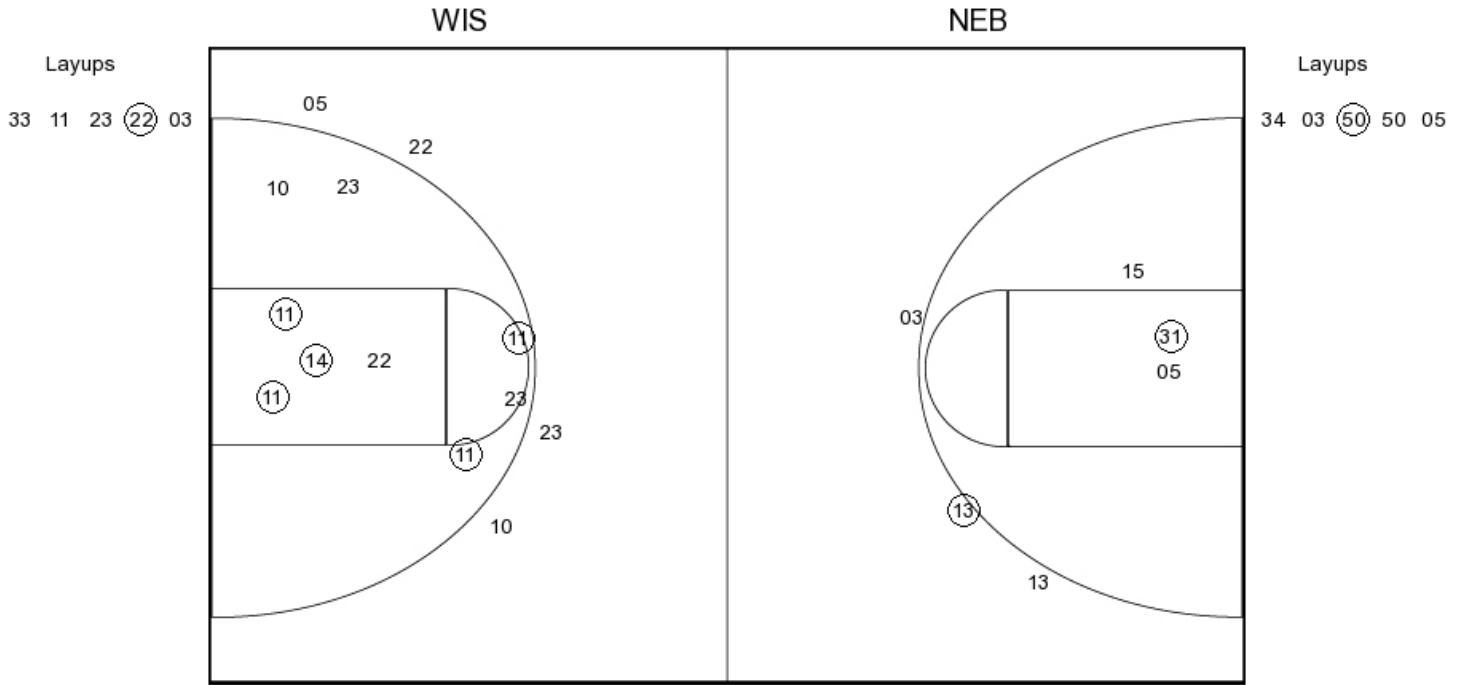
**Period 4**

Wisconsin	VRun	Score	Margin	HRun	Nebraska
		38-38	0		CAIN JUMPER [P] - 09:47
09:23 - MCMORRIS 3PTR	-	41-38	-3		
		41-40	-1		SIMON JUMPER [P] - 08:58
		41-42	1	4-0	SIMON JUMPER - 08:25
07:39 - HOWARD LAYUP [P]	-	43-42	-1		
		43-44	1		CAIN JUMPER [P] - 06:09
04:46 - MCMORRIS 3PTR	-	46-44	-2		
		46-46	0		ELIELY JUMPER [P] - 03:50
		46-47	1	3-0	ELIELY FT - 03:50
		46-49	3	5-0	KISSINGER JUMPER [P] - 02:55
01:39 - HOWARD JUMPER [P]	-	48-49	1		
		48-50	2		SIMON FT - 00:01
		48-51	3	2-0	SIMON FT - 00:01





**PERIOD 1**



**WIS PERIOD 1**

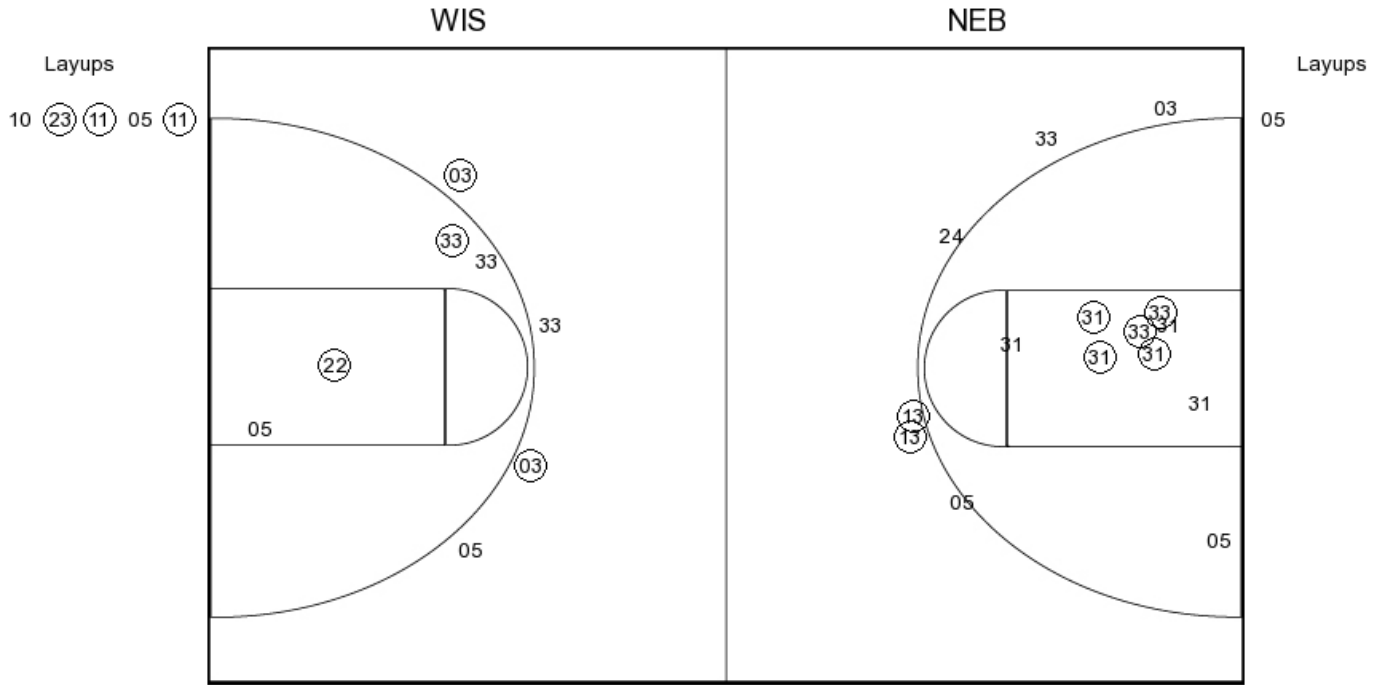
FG Made	13
FG Attempted	32
3PFG Made	2
3PFG Attempted	8

**NEB PERIOD 1**

FG Made	10
FG Attempted	29
3PFG Made	3
3PFG Attempted	10



**PERIOD 2**



**WIS PERIOD 2**

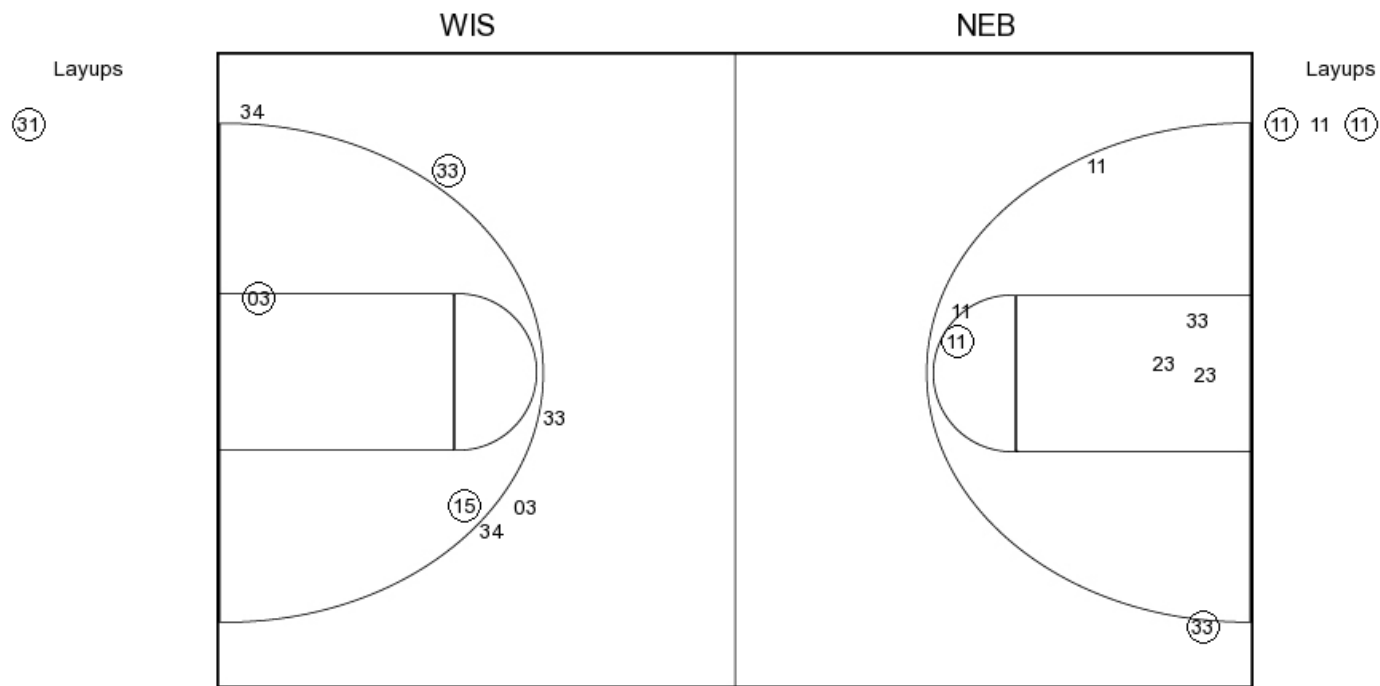
FG Made  
 FG Attempted  
 3PFG Made  
 3PFG Attempted

**NEB PERIOD 2**

FG Made  
 FG Attempted  
 3PFG Made  
 3PFG Attempted



PERIOD 3



**WIS PERIOD 3**

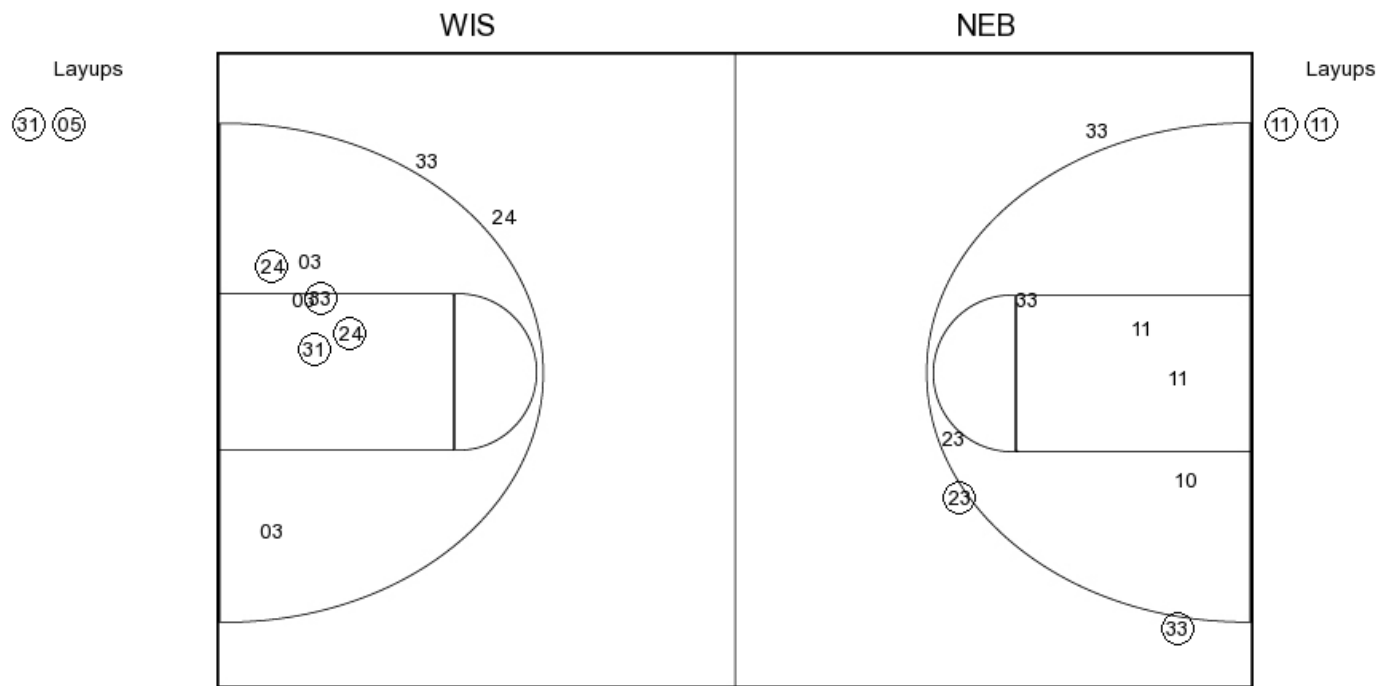
FG Made	8
FG Attempted	24
3PFG Made	3
3PFG Attempted	4

**NEB PERIOD 3**

FG Made	10
FG Attempted	21
3PFG Made	1
3PFG Attempted	7



**PERIOD 4**



**WIS PERIOD 4**

FG Made  
 FG Attempted  
 3PFG Made  
 3PFG Attempted

**NEB PERIOD 4**

FG Made  
 FG Attempted  
 3PFG Made  
 3PFG Attempted

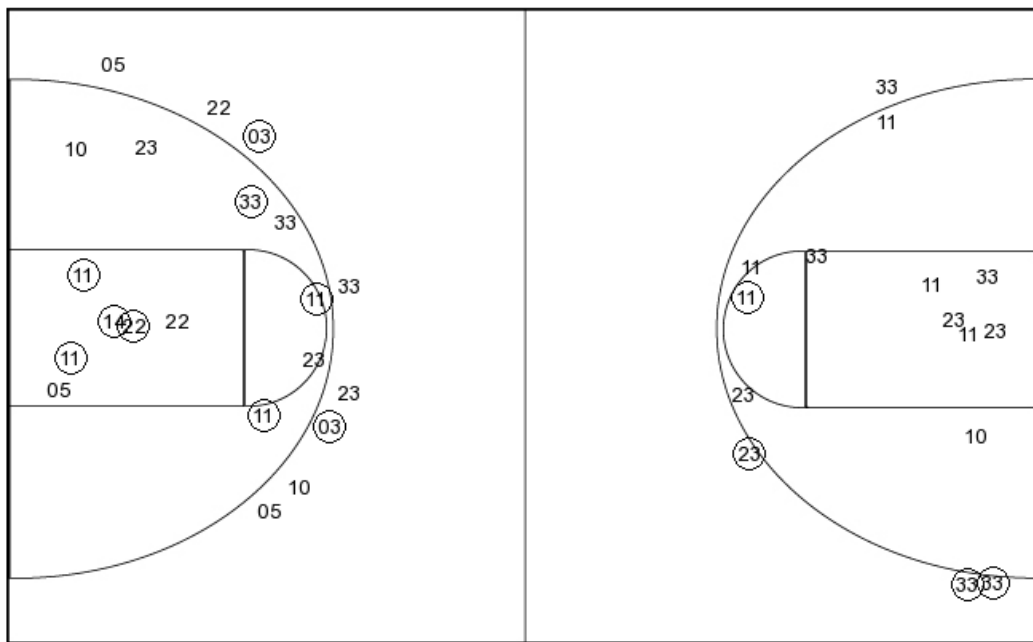


Wisconsin

PERIOD 2

PERIOD , 3, 4

Layups  
 33 11 23 (22) 03  
 10 (23) (11) 05 (11)



Layups  
 (11) 11 (11) (11) (11)

**WIS PERIOD 1**

FG Made	13
FG Attempted	32
3PFG Made	2
3PFG Attempted	8

**WIS PERIOD 2**

FG Made	
FG Attempted	
3PFG Made	
3PFG Attempted	

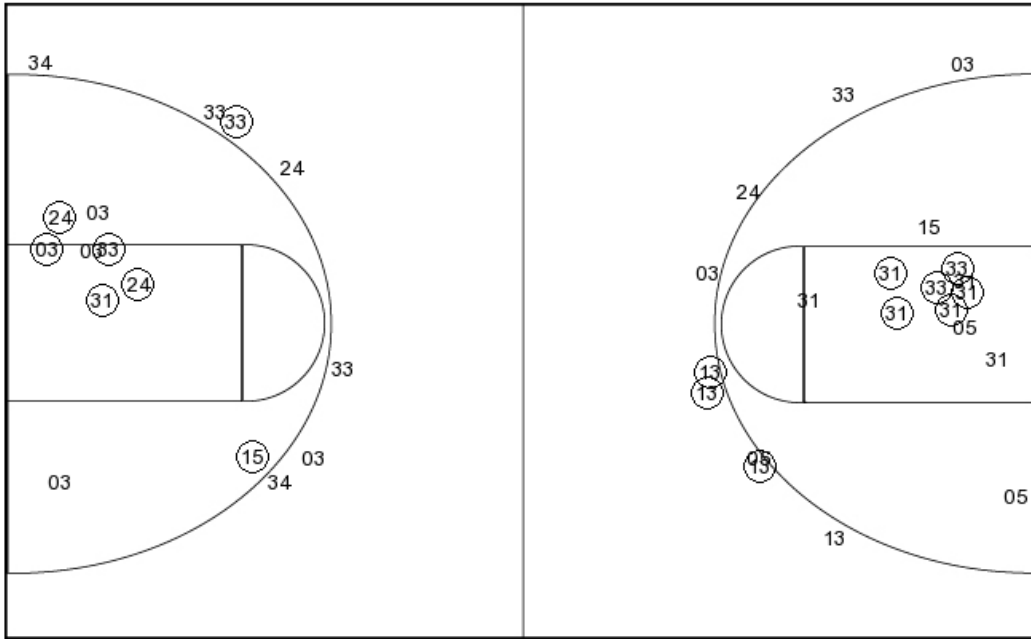


Nebraska

PERIOD , 3, 4

PERIOD 2

Layups  
 (31) (31) (05)



Layups  
 34 03 (50) 50 05  
 05

**NEB PERIOD 1**

FG Made	10
FG Attempted	29
3PFG Made	3
3PFG Attempted	10

**NEB PERIOD 2**

FG Made	
FG Attempted	
3PFG Made	
3PFG Attempted	