

## FINAL SCORE



**Alabama**

14-8, 4-5 SEC

**60**



**Auburn**

11-9, 2-6 SEC

**69**

January 28, 2018 • Auburn Arena -- Auburn, Ala.

## FINAL STATISTICS

Official Basketball Box Score -- Game Totals -- Final Statistics  
Alabama vs Auburn  
1/28/2018 4:00 pm at Auburn Arena -- Auburn, Ala.



Alabama 60 - 14-8, 4-5 SEC

##	Player	f/g	Total		3-Ptr		Rebounds			PF	TP	A	TO	Blk	Stl	Min
			FG-FGA	FG-FGA	FT-FTA	Off	Def	Tot								
01	BOLT ON,QUANETRIA	f	6-12	2-5	0-0	5	4	9	4	14	0	5	0	3	30	
03	LEWIS,JORDAN	g	4-9	2-5	5-6	1	2	3	2	15	4	4	0	1	37	
11	COOK,HANNAH	g	2-9	2-7	4-4	0	0	0	4	10	3	3	0	2	32	
20	WILLIAMS,ASHLEY	f	2-3	0-0	2-2	1	2	3	3	6	2	0	1	0	22	
23	WADE,SHAQUERA	g	3-5	1-2	3-4	1	3	4	3	10	2	3	1	1	32	
05	DA SILVA,ALANA		0-0	0-0	0-0	0	0	0	0	0	1	0	0	0	2	
13	KNIGHT,COCO		0-2	0-0	0-0	0	1	1	1	0	1	2	0	0	8	
15	KNIGHT,MEOSHONTI		0-2	0-1	3-4	0	1	1	1	3	0	5	0	2	20	
25	KNIGHT,ASHLEY		1-2	0-0	0-0	0	1	1	2	2	0	1	0	0	6	
40	WALKER,JASMINE		0-3	0-2	0-0	1	2	3	0	0	0	2	0	0	11	
TEAM						4	1	5	0		0					
TOTALS			18-47	7-22	17-20	13	17	30	20	60	13	25	2	9	200	

Deadball Rebounds: 5,1

FG %	1st Half: 9-23 39.1%	2nd Half: 9-24 37.5%	Game: 18-47 38.3%
	1st Qtr 6-9 66.7%	2nd Qtr 3-14 21.4%	3rd Qtr 5-11 45.5%
3FG %	1st Half: 5-12 41.7%	2nd Half: 2-10 20.0%	Game: 7-22 31.8%
	1st Qtr 2-2 100.0%	2nd Qtr 3-10 30.0%	3rd Qtr 2-3 66.7%
FT %	1st Half: 8-10 80.0%	2nd Half: 9-10 90.0%	Game: 17-20 85.0%
	1st Qtr 7-8 87.5%	2nd Qtr 1-2 50.0%	3rd Qtr 4-4 100.0%

Auburn 69 - 11-9, 2-6 SEC

##	Player	g/f	Total		3-Ptr		Rebounds			PF	TP	A	TO	Blk	Stl	Min
			FG-FGA	FG-FGA	FT-FTA	Off	Def	Tot								
00	ALEXANDER,DAISA	g	6-13	0-1	0-0	0	1	1	3	12	1	4	0	2	32	
04	JACKSON,ABIGAYLE	f	0-0	0-0	0-0	0	1	1	5	0	0	1	2	1	14	
15	JONES,JAZMINE	f	2-4	0-0	0-2	1	2	3	3	4	3	3	1	3	34	
20	T HOMPSON,UNIQUE	f	4-9	0-0	6-8	5	6	11	2	14	3	3	0	1	36	
33	MCKAY,JANIAH	g	5-9	0-0	8-10	1	3	4	4	18	5	4	0	2	25	
05	JONES,EMARI		2-8	2-3	4-4	2	1	3	1	10	1	0	0	3	26	
14	LEWIS,TIFFANY		3-6	3-5	2-2	0	0	0	0	11	2	1	0	1	22	
21	LOPEZ,ISABELLA		0-0	0-0	0-0	0	0	0	0	0	0	0	0	1	1	
23	JONES,JESSICA		0-0	0-0	0-0	0	0	0	5	0	0	0	0	0	7	
32	TOURE,SIRA		0-0	0-0	0-0	1	0	1	1	0	0	0	0	0	3	
TEAM						0	0	0	0		0					
TOTALS			22-49	5-9	20-26	10	14	24	24	69	15	16	3	14	200	

Deadball Rebounds: 5,0

FG %	1st Half: 11-25 44.0%	2nd Half: 11-24 45.8%	Game: 22-49 44.9%
	1st Qtr 5-12 41.7%	2nd Qtr 6-13 46.2%	3rd Qtr 6-14 42.9%
3FG %	1st Half: 4-5 80.0%	2nd Half: 1-4 25.0%	Game: 5-9 55.6%
	1st Qtr 2-2 100.0%	2nd Qtr 2-3 66.7%	3rd Qtr 1-3 33.3%
FT %	1st Half: 8-10 80.0%	2nd Half: 12-16 75.0%	Game: 20-26 76.9%
	1st Qtr 4-4 100.0%	2nd Qtr 4-6 66.7%	3rd Qtr 7-8 87.5%

Officials: Felicia Grinter, Ed Sidlasky, Meadow Overstreet

Technical Fouls: Alabama- None. Auburn- None.

Attendance: 3357

Score by periods	1st	2nd	3rd	4th	Total
Alabama	21	10	16	13	60
Auburn	16	18	20	15	69

Points	In	Off	2nd	Fast	Bench
	Paint	T/O	Chance	Break	
UA	16	12	8	10	5
AU	24	29	8	10	21

Last FG - UA 4th-04:05, AU 4th-01:03.

Largest lead - Alabama by 9 1st-05:38; Auburn by 12 3rd-05:32

UA led for 12:41. AU led for 24:48. Game was tied for 1:54.

Score tied - 2 times; Lead changed - 1 times

Official Basketball Box Score -- Game Totals -- First Half Statistics  
Alabama vs Auburn  
1/28/2018 4:00 pm at Auburn Arena -- Auburn, Ala.



Alabama 31 • 14-8, 4-5 SEC

##	Player		Total			3-Ptr			Rebounds			PF	TP	A	TO	Blk	Stl	Min
			FG-FGA	FG-FGA	FT-FTA	FG-FGA	FG-FGA	FT-FTA	Off	Def	Tot							
01	BOLT ON,QUANET RIA	f	5-8	2-4	0-0	2	3	5	0	12	0	3	0	3			16	
03	LEWIS,JORDAN	g	0-2	0-2	5-6	0	0	0	0	5	4	1	0	1			17	
11	COOK,HANNAH	g	2-5	2-3	0-0	0	0	0	1	6	1	1	0	1			15	
20	WILLIAMS,ASHLEY	f	1-2	0-0	2-2	0	2	2	2	4	2	0	0	0			12	
23	WADE,SHAQUERA	g	1-3	1-2	0-0	0	1	1	1	3	1	1	1	1			16	
05	DA SILVA,ALANA		0-0	0-0	0-0	0	0	0	0	0	1	0	0	0			2	
13	KNIGHT ,COCO		0-0	0-0	0-0	0	0	0	0	0	0	0	0	0			0	
15	KNIGHT ,MEOSHONT I		0-2	0-1	1-2	0	1	1	1	1	0	3	0	1			15	
25	KNIGHT ,ASHLEY		0-1	0-0	0-0	0	0	0	1	0	0	0	0	0			3	
40	WALKER,JASMINE		0-0	0-0	0-0	0	1	1	0	0	0	2	0	0			4	
TEAM						2	1	3	0		0							
Totals			9-23	5-12	8-10	4	9	13	6	31	9	11	1	7			100	
FG %	1st Qtr	6-9	66.7%	2nd Qtr	3-14	21.4%	Half:	9-23	39.1%									
3FG %	1st Qtr	2-2	100.0%	2nd Qtr	3-10	30.0%	Half:	5-12	41.7%									
FT %	1st Qtr	7-8	87.5%	2nd Qtr	1-2	50.0%	Half:	8-10	80.0%									

Auburn 34 • 11-9, 2-6 SEC

##	Player		Total			3-Ptr			Rebounds			PF	TP	A	TO	Blk	Stl	Min
			FG-FGA	FG-FGA	FT-FTA	FG-FGA	FG-FGA	FT-FTA	Off	Def	Tot							
00	ALEXANDER,DAISA	g	2-5	0-0	0-0	0	1	1	0	4	0	3	0	1			14	
04	JACKSON,ABIGAYLE	f	0-0	0-0	0-0	0	0	0	1	0	0	0	0	1			10	
15	JONES,JAZMINE	f	0-1	0-0	0-0	1	1	2	2	0	1	1	0	1			15	
20	THOMPSON,UNIQUE	f	1-4	0-0	3-4	2	4	6	1	5	2	2	0	0			17	
33	MCKAY,JANIAH	g	4-8	0-0	5-6	1	2	3	2	13	4	2	0	1			15	
05	JONES,EMARI		2-4	2-3	0-0	0	0	0	1	6	1	0	0	2			12	
14	LEWIS,TIFFANY		2-3	2-2	0-0	0	0	0	0	6	0	1	0	0			11	
21	LOPEZ,ISABELLA		0-0	0-0	0-0	0	0	0	0	0	0	0	0	0			0	
23	JONES,JESSICA		0-0	0-0	0-0	0	0	0	3	0	0	0	0	0			4	
32	TOURE,SIRA		0-0	0-0	0-0	1	0	1	1	0	0	0	0	0			2	
TEAM						0	0	0	0		0							
Totals			11-25	4-5	8-10	5	8	13	11	34	8	9	0	6			100	
FG %	1st Qtr	5-12	41.7%	2nd Qtr	6-13	46.2%	Half:	11-25	44.0%									
3FG %	1st Qtr	2-2	100.0%	2nd Qtr	2-3	66.7%	Half:	4-5	80.0%									
FT %	1st Qtr	4-4	100.0%	2nd Qtr	4-6	66.7%	Half:	8-10	80.0%									

Officials: Felicia Grinter, Ed Sidlasky, Meadow Overstreet  
Technical Fouls: Alabama- None. Auburn- None.

Score by periods	1st	2nd	3rd	4th	Total
Alabama	21	10	16	13	60
Auburn	16	18	20	15	69

Points	In Paint	Off T/O	2nd Chance	Fast Break	Bench
UA	6	8	4	4	1
	8	15	10	2	12

Last FG - UA 2nd-02:15, AU 2nd-01:06.  
UA led for 12:41. AU led for 5:08. Game was tied for 1:54.

Score tied - 2 times  
Lead changed - 1 times

**Alabama vs Auburn**  
**1/28/2018; 4:00 pm at Auburn Arena -- Auburn, Ala.**  
**Period 1 Play-By-Play**



VISITORS: Alabama	Time	Score	Margin	HOME: Auburn
	09:42			TURNOVER by MCKAY,JANIAH
STEAL by LEWIS,JORDAN	09:42			
GOOD! LAYUP by BOLTON,QUANETRIA [PNT]	09:35	0-2	V 2	
ASSIST by WADE,SHAQUERA	09:35			
	08:58			MISSED LAYUP by MCKAY,JANIAH
REBOUND (DEF) by BOLTON,QUANETRIA	08:58			
GOOD! 3PTR by BOLTON,QUANETRIA	08:45	0-5	V 5	
ASSIST by LEWIS,JORDAN	08:45			
FOUL by COOK,HANNAH	08:19			
SUB IN: KNIGHT,MEOSHONTI	08:19			
SUB OUT: COOK,HANNAH	08:19			
	08:12			MISSED JUMPER by ALEXANDER,DAISA
	08:12			REBOUND (OFF) by THOMPSON,UNIQUE
	08:07	2-5	V 3	GOOD! JUMPER by MCKAY,JANIAH
	08:07			ASSIST by THOMPSON,UNIQUE
MISSED JUMPER by WILLIAMS,ASHLEY	07:41			
	07:41			REBOUND (DEF) by MCKAY,JANIAH
	07:29			MISSED JUMPER by THOMPSON,UNIQUE
REBOUND (DEF) by WILLIAMS,ASHLEY	07:29			
	07:16			FOUL by THOMPSON,UNIQUE
	07:16			SUB IN: JONES,EMARI
	07:16			SUB OUT: JACKSON,ABIGAYLE
GOOD! JUMPER by BOLTON,QUANETRIA	07:11	2-7	V 5	
ASSIST by LEWIS,JORDAN	07:11			
	06:58			MISSED JUMPER by ALEXANDER,DAISA
REBOUND (DEF) by KNIGHT,MEOSHONTI	06:58			
GOOD! 3PTR by BOLTON,QUANETRIA	06:37	2-10	V 8	
ASSIST by LEWIS,JORDAN	06:37			
	06:35			TIMEOUT 30SEC
	06:35			SUB IN: LEWIS,TIFFANY
	06:35			SUB OUT: ALEXANDER,DAISA
	06:10			MISSED JUMPER by MCKAY,JANIAH
BLOCK by WADE,SHAQUERA	06:10			
REBOUND (DEF) by WILLIAMS,ASHLEY	06:05			
	05:38			FOUL by JONES,EMARI
MISSED FT by LEWIS,JORDAN	05:38			
REBOUND (DEADB) by TEAM	05:38			
GOOD! FT by LEWIS,JORDAN	05:38	2-11	V 9	
SUB IN: COOK,HANNAH	05:38			
SUB OUT: WADE,SHAQUERA	05:38			
	05:18	5-11	V 6	GOOD! 3PTR by LEWIS,TIFFANY
	05:18			ASSIST by MCKAY,JANIAH
GOOD! LAYUP by BOLTON,QUANETRIA [FB/PNT]	05:07	5-13	V 8	
ASSIST by LEWIS,JORDAN	05:07			
	04:49			TURNOVER by JONES,JAZMINE
	04:49			SUB IN: JONES,JESSICA
	04:49			SUB OUT: JONES,EMARI
	04:41			FOUL by MCKAY,JANIAH
	04:41			SUB IN: TOURE,SIRA
	04:41			SUB OUT: JONES,JAZMINE
TURNOVER by LEWIS,JORDAN	04:31			
	04:29			STEAL by MCKAY,JANIAH
	04:22			MISSED LAYUP by THOMPSON,UNIQUE
	04:22			REBOUND (OFF) by TOURE,SIRA
SUB IN: KNIGHT,ASHLEY	04:22			
SUB OUT: BOLTON,QUANETRIA	04:22			
	04:19	8-13	V 5	GOOD! 3PTR by LEWIS,TIFFANY
	04:19			ASSIST by MCKAY,JANIAH
	04:04			FOUL by TOURE,SIRA
	04:04			SUB IN: ALEXANDER,DAISA
	04:04			SUB OUT: MCKAY,JANIAH
MISSED LAYUP by KNIGHT,ASHLEY	03:54			
	03:54			REBOUND (DEF) by ALEXANDER,DAISA
	03:45			TURNOVER by ALEXANDER,DAISA
STEAL by COOK,HANNAH	03:44			
GOOD! JUMPER by WILLIAMS,ASHLEY [FB/PNT]	03:40	8-15	V 7	
ASSIST by COOK,HANNAH	03:40			
	03:07			TURNOVER by ALEXANDER,DAISA
TURNOVER by COOK,HANNAH	03:04			

VISITORS: Alabama	Time	Score	Margin	HOME: Auburn
SUB IN: WADE,SHAQUERA	03:04			
SUB OUT: LEWIS,JORDAN	03:04			
	03:04			SUB IN: JONES,JAZMINE
	03:04			SUB OUT: TOURE,SIRA
FOUL by KNIGHT,ASHLEY	02:47			
	02:47	9-15	V 6	GOOD! FT by THOMPSON,UNIQUE
	02:47	10-15	V 5	GOOD! FT by THOMPSON,UNIQUE
	02:47			SUB IN: JACKSON,ABIGAYLE
	02:47			SUB OUT: THOMPSON,UNIQUE
	02:31			FOUL by JONES,JESSICA
GOOD! FT by WILLIAMS,ASHLEY	02:31	10-16	V 6	
GOOD! FT by WILLIAMS,ASHLEY	02:31	10-17	V 7	
SUB IN: LEWIS,JORDAN	02:31			
SUB OUT: KNIGHT,MEOSHONTI	02:31			
	02:31			SUB IN: MCKAY,JANIAH
	02:31			SUB OUT: LEWIS,TIFFANY
	02:05	12-17	V 5	GOOD! LAYUP by ALEXANDER,DAISA [PNT]
SUB IN: WALKER,JASMINE	01:58			
SUB IN: BOLTON,QUANETRIA	01:58			
SUB OUT: KNIGHT,ASHLEY	01:58			
SUB OUT: WILLIAMS,ASHLEY	01:58			
	01:47			FOUL by JONES,JAZMINE
GOOD! FT by LEWIS,JORDAN	01:47	12-18	V 6	
GOOD! FT by LEWIS,JORDAN	01:47	12-19	V 7	
SUB IN: KNIGHT,MEOSHONTI	01:47			
SUB OUT: COOK,HANNAH	01:47			
FOUL by WADE,SHAQUERA	01:19			
	01:19	13-19	V 6	GOOD! FT by MCKAY,JANIAH
	01:19	14-19	V 5	GOOD! FT by MCKAY,JANIAH
	01:19			SUB IN: JONES,EMARI
	01:19			SUB OUT: JONES,JAZMINE
	01:11			FOUL by JONES,JESSICA
GOOD! FT by LEWIS,JORDAN	01:11	14-20	V 6	
GOOD! FT by LEWIS,JORDAN	01:11	14-21	V 7	
	01:11			SUB IN: THOMPSON,UNIQUE
	01:11			SUB OUT: JONES,JESSICA
	01:04			TURNOVER by MCKAY,JANIAH
STEAL by BOLTON,QUANETRIA	01:02			
TURNOVER by WALKER,JASMINE	00:53			
	00:52			STEAL by JONES,EMARI
	00:49			MISSED JUMPER by MCKAY,JANIAH
	00:49			REBOUND (OFF) by MCKAY,JANIAH
	00:24	16-21	V 5	GOOD! JUMPER by MCKAY,JANIAH
	00:24			ASSIST by JONES,EMARI
MISSED JUMPER by KNIGHT,MEOSHONTI	00:00			
REBOUND (DEADB) by TEAM	00:00			

Alabama 21, Auburn 16

Period 1-only	In Paint	Off T/O	2nd Chance	Fast Break	Bench	
UA	6	4	0	4	0	Score tied - 0 times
AU	2	7	7	0	6	Lead changed - 0 times

**Alabama vs Auburn**  
**1/28/2018; 4:00 pm at Auburn Arena -- Auburn, Ala.**  
**Period 2 Play-By-Play**



VISITORS: Alabama	Time	Score	Margin	HOME: Auburn
SUB IN: KNIGHT,MEOSHONTI	10:00			
SUB OUT: COOK,HANNAH	10:00			
	10:00			SUB IN: JONES,EMARI
	10:00			SUB OUT: JONES,JAZMINE
	09:52			FOUL by JACKSON,ABIGAYLE
MISSED 3PTR by WADE,SHAQUERA	09:42			
	09:42			REBOUND (DEF) by THOMPSON,UNIQUE
	09:32	18-21	V 3	GOOD! LAYUP by MCKAY,JANIAH [PNT]
	09:32			ASSIST by THOMPSON,UNIQUE
GOOD! 3PTR by WADE,SHAQUERA	09:10	18-24	V 6	
ASSIST by WILLIAMS,ASHLEY	09:10			
	08:54	20-24	V 4	GOOD! JUMPER by ALEXANDER,DAISA
TURNOVER by KNIGHT,MEOSHONTI	08:44			
	08:43			STEAL by JACKSON,ABIGAYLE
FOUL by KNIGHT,MEOSHONTI	08:40			
	08:40	21-24	V 3	GOOD! FT by MCKAY,JANIAH
	08:40	22-24	V 2	GOOD! FT by MCKAY,JANIAH
SUB IN: COOK,HANNAH	08:40			
SUB OUT: KNIGHT,MEOSHONTI	08:40			
	08:40			SUB IN: JONES,JAZMINE
	08:40			SUB OUT: JONES,EMARI
TURNOVER by BOLTON,QUANETRIA	08:25			
	08:24			STEAL by ALEXANDER,DAISA
	08:18			MISSED LAYUP by THOMPSON,UNIQUE
	08:18			REBOUND (OFF) by THOMPSON,UNIQUE
FOUL by WILLIAMS,ASHLEY	08:17			
	08:17			MISSED FT by THOMPSON,UNIQUE
	08:17			REBOUND (DEADB) by TEAM
	08:17	23-24	V 1	GOOD! FT by THOMPSON,UNIQUE
MISSED LAYUP by WADE,SHAQUERA	08:11			
REBOUND (OFF) by BOLTON,QUANETRIA	08:11			
MISSED JUMPER by BOLTON,QUANETRIA	08:09			
	08:09			REBOUND (DEF) by THOMPSON,UNIQUE
	08:04			TURNOVER by THOMPSON,UNIQUE
STEAL by WADE,SHAQUERA	08:03			
GOOD! 3PTR by COOK,HANNAH	07:49	23-27	V 4	
ASSIST by WILLIAMS,ASHLEY	07:49			
FOUL by WILLIAMS,ASHLEY	07:18			
	07:18	24-27	V 3	GOOD! FT by MCKAY,JANIAH
	07:18			MISSED FT by MCKAY,JANIAH
REBOUND (DEF) by WALKER,JASMINE	07:18			
SUB IN: WALKER,JASMINE	07:18			
SUB IN: KNIGHT,ASHLEY	07:18			
SUB OUT: BOLTON,QUANETRIA	07:18			
SUB OUT: WILLIAMS,ASHLEY	07:18			
	07:18			SUB IN: JONES,EMARI
	07:18			SUB IN: LEWIS,TIFFANY
	07:18			SUB OUT: ALEXANDER,DAISA
	07:18			SUB OUT: JACKSON,ABIGAYLE
TURNOVER by WALKER,JASMINE	07:07			
	06:54	27-27	T	GOOD! 3PTR by JONES,EMARI
	06:54			ASSIST by MCKAY,JANIAH
TURNOVER by WADE,SHAQUERA	06:37			
	06:36			STEAL by JONES,JAZMINE
	06:34	29-27	H 2	GOOD! LAYUP by MCKAY,JANIAH [FB/PNT]
	06:33			ASSIST by JONES,JAZMINE
TIMEOUT 30SEC	06:32			
SUB IN: KNIGHT,MEOSHONTI	06:32			
SUB OUT: KNIGHT,ASHLEY	06:32			
TURNOVER by KNIGHT,MEOSHONTI	06:23			
	06:21			STEAL by JONES,EMARI
	06:01			MISSED JUMPER by JONES,JAZMINE
REBOUND (DEF) by TEAM	06:01			
SUB IN: BOLTON,QUANETRIA	05:59			
SUB OUT: WALKER,JASMINE	05:59			
TURNOVER by BOLTON,QUANETRIA	05:35			
	05:05			MISSED JUMPER by MCKAY,JANIAH
REBOUND (DEF) by WADE,SHAQUERA	05:05			
MISSED 3PTR by LEWIS,JORDAN	04:56			

VISITORS: Alabama	Time	Score	Margin	HOME: Auburn
REBOUND (DEADB) by TEAM	04:56			
	04:54			FOUL by MCKAY,JANIAH
	04:54			SUB IN: ALEXANDER,DAISA
	04:54			SUB OUT: MCKAY,JANIAH
MISSED 3PTR by BOLTON,QUANETRIA	04:43			
	04:43			REBOUND (DEF) by THOMPSON,UNIQUE
	04:32			MISSED JUMPER by ALEXANDER,DAISA
	04:32			REBOUND (OFF) by JONES,JAZMINE
	04:18	31-27	H 4	GOOD! LAYUP by THOMPSON,UNIQUE [PNT]
MISSED JUMPER by COOK,HANNAH	04:04			
	04:04			REBOUND (DEF) by JONES,JAZMINE
	03:37			TURNOVER by ALEXANDER,DAISA
STEAL by BOLTON,QUANETRIA	03:35			
MISSED 3PTR by COOK,HANNAH	03:15			
REBOUND (OFF) by BOLTON,QUANETRIA	03:15			
SUB IN: DA SILVA,ALANA	03:11			
SUB OUT: LEWIS,JORDAN	03:11			
	03:11			SUB IN: JONES,JESSICA
	03:11			SUB OUT: JONES,EMARI
	02:55			FOUL by JONES,JESSICA
MISSED FT by KNIGHT,MEOSHONTI	02:55			
REBOUND (DEADB) by TEAM	02:55			
GOOD! FT by KNIGHT,MEOSHONTI	02:55	31-28	H 3	
SUB IN: WILLIAMS,ASHLEY	02:55			
SUB OUT: WADE,SHAQUERA	02:55			
	02:55			SUB IN: JACKSON,ABIGAYLE
	02:55			SUB IN: JONES,EMARI
	02:55			SUB OUT: JONES,JESSICA
	02:55			SUB OUT: JONES,JAZMINE
	02:31			MISSED JUMPER by LEWIS,TIFFANY
REBOUND (DEF) by BOLTON,QUANETRIA	02:31			
MISSED 3PTR by KNIGHT,MEOSHONTI	02:22			
REBOUND (OFF) by TEAM	02:22			
	02:22			SUB IN: JONES,JAZMINE
	02:22			SUB OUT: THOMPSON,UNIQUE
GOOD! 3PTR by COOK,HANNAH	02:15	31-31	T	
ASSIST by DA SILVA,ALANA	02:15			
	01:53			MISSED 3PTR by JONES,EMARI
REBOUND (DEF) by BOLTON,QUANETRIA	01:53			
TURNOVER by KNIGHT,MEOSHONTI	01:41			
SUB IN: WADE,SHAQUERA	01:41			
SUB IN: LEWIS,JORDAN	01:41			
SUB OUT: DA SILVA,ALANA	01:41			
SUB OUT: WILLIAMS,ASHLEY	01:41			
	01:41			SUB IN: MCKAY,JANIAH
	01:41			SUB IN: THOMPSON,UNIQUE
	01:41			SUB OUT: JACKSON,ABIGAYLE
	01:41			SUB OUT: ALEXANDER,DAISA
	01:29			TURNOVER by LEWIS,TIFFANY
STEAL by KNIGHT,MEOSHONTI	01:29			
MISSED 3PTR by BOLTON,QUANETRIA	01:24			
REBOUND (OFF) by TEAM	01:24			
MISSED JUMPER by COOK,HANNAH	01:14			
	01:14			REBOUND (DEF) by MCKAY,JANIAH
	01:06	34-31	H 3	GOOD! 3PTR by JONES,EMARI
	01:06			ASSIST by MCKAY,JANIAH
TURNOVER by BOLTON,QUANETRIA	00:55			
	00:39			TURNOVER by THOMPSON,UNIQUE
STEAL by BOLTON,QUANETRIA	00:38			
	00:34			FOUL by JONES,JAZMINE
SUB IN: WALKER,JASMINE	00:34			
SUB OUT: KNIGHT,MEOSHONTI	00:34			
	00:34			SUB IN: ALEXANDER,DAISA
	00:34			SUB OUT: JONES,JAZMINE
MISSED 3PTR by LEWIS,JORDAN	00:18			
	00:18			REBOUND (DEF) by THOMPSON,UNIQUE
	00:02			MISSED LAYUP by JONES,EMARI
	00:01			REBOUND (DEADB) by TEAM

Alabama 31, Auburn 34

Period 2-only	In Paint	Off T/O	2nd Chance	Fast Break	Bench	
UA	0	4	4	0	1	Score tied - 2 times

<b>Period 2-only</b>	<b>In Paint</b>	<b>Off T/O</b>	<b>2nd Chance</b>	<b>Fast Break</b>	<b>Bench</b>	
AU	6	8	3	2	6	Lead changed - 0 times



Official Basketball Box Score -- Game Totals -- Second Half Statistics  
 Alabama vs Auburn  
 1/28/2018 4:00 pm at Auburn Arena -- Auburn, Ala.



Alabama 29 • 14-8, 4-5 SEC

##	Player		Total			3-Ptr			Rebounds			PF	TP	A	TO	Blk	Stl	Min
			FG-FGA	FG-FGA	FT-FTA	FG-FGA	FG-FGA	FT-FTA	Off	Def	Tot							
01	BOLT ON,QUANETRIA	f	1-4	0-1	0-0	3	1	4	4	2	0	2	0	0	0	0	14	
03	LEWIS,JORDAN	g	4-7	2-3	0-0	1	2	3	2	10	0	3	0	0	0	20		
11	COOK,HANNAH	g	0-4	0-4	4-4	0	0	0	3	4	2	2	0	1	1	17		
20	WILLIAMS,ASHLEY	f	1-1	0-0	0-0	1	0	1	1	2	0	0	1	0	0	10		
23	WADE,SHAQUERA	g	2-2	0-0	3-4	1	2	3	2	7	1	2	0	0	0	16		
05	DA SILVA,ALANA		0-0	0-0	0-0	0	0	0	0	0	0	0	0	0	0	0		
13	KNIGHT,COCO		0-2	0-0	0-0	0	1	1	1	0	1	2	0	0	0	8		
15	KNIGHT,MEOSHONTI		0-0	0-0	2-2	0	0	0	0	2	0	2	0	1	1	5		
25	KNIGHT,ASHLEY		1-1	0-0	0-0	0	1	1	1	2	0	1	0	0	0	3		
40	WALKER,JASMINE		0-3	0-2	0-0	1	1	2	0	0	0	0	0	0	0	7		
TEAM						2	0	2	0		0							
Totals			9-24	2-10	9-10	9	8	17	14	29	4	14	1	2			100	
FG %	3rd Qtr	5-11	45.5%	4th Qtr	4-13	30.8%	Half:	9-24	37.5%									
3FG %	3rd Qtr	2-3	66.7%	4th Qtr	0-7	00.0%	Half:	2-10	41.7%									
FT %	3rd Qtr	4-4	100.0%	4th Qtr	5-6	83.3%	Half:	9-10	90.0%									

Auburn 35 • 11-9, 2-6 SEC

##	Player		Total			3-Ptr			Rebounds			PF	TP	A	TO	Blk	Stl	Min
			FG-FGA	FG-FGA	FT-FTA	FG-FGA	FG-FGA	FT-FTA	Off	Def	Tot							
00	ALEXANDER,DAISA	g	4-8	0-1	0-0	0	0	0	3	8	1	1	0	1	1	18		
04	JACKSON,ABIGAYLE	f	0-0	0-0	0-0	0	1	1	4	0	0	1	2	0	0	4		
15	JONES,JAZMINE	f	2-3	0-0	0-2	0	1	1	1	4	2	2	1	2	1	19		
20	THOMPSON,UNIQUE	f	3-5	0-0	3-4	3	2	5	1	9	1	1	0	1	1	19		
33	MCKAY,JANIAH	g	1-1	0-0	3-4	0	1	1	2	5	1	2	0	1	1	10		
05	JONES,EMARI		0-4	0-0	4-4	2	1	3	0	4	0	0	0	1	1	14		
14	LEWIS,TIFFANY		1-3	1-3	2-2	0	0	0	0	5	2	0	0	1	1	11		
21	LOPEZ,ISABELLA		0-0	0-0	0-0	0	0	0	0	0	0	0	0	1	1	1		
23	JONES,JESSICA		0-0	0-0	0-0	0	0	0	2	0	0	0	0	0	0	3		
32	TOURE,SIRA		0-0	0-0	0-0	0	0	0	0	0	0	0	0	0	0	1		
TEAM						0	0	0	0		0							
Totals			11-24	1-4	12-16	5	6	11	13	35	7	7	3	8			100	
FG %	3rd Qtr	6-14	42.9%	4th Qtr	5-10	50.0%	Half:	11-24	45.8%									
3FG %	3rd Qtr	1-3	33.3%	4th Qtr	0-1	00.0%	Half:	1-4	80.0%									
FT %	3rd Qtr	7-8	87.5%	4th Qtr	5-8	62.5%	Half:	12-16	75.0%									

Officials: Felicia Grinter, Ed Sidlasky, Meadow Overstreet  
 Technical Fouls: Alabama- None. Auburn- None.

Score by periods	1st	2nd	3rd	4th	Total
Alabama	21	10	16	13	60
Auburn	16	18	20	15	69

Points	In Paint	Off T/O	2nd Chance	Fast Break	Bench
UA	10	4	4	6	4
	16	14	3	8	9

Last FG - UA 4th-04:05, AU 4th-01:03.  
 UA led for 0:00. AU led for 19:40. Game was tied for 0:00.

Score tied - 0 times  
 Lead changed - 0 times

**Alabama vs Auburn**  
**1/28/2018; 4:00 pm at Auburn Arena -- Auburn, Ala.**  
**Period 3 Play-By-Play**



VISITORS: Alabama	Time	Score	Margin	HOME: Auburn
	09:43	36-31	H 5	GOOD! JUMPER by JONES,JAZMINE [PNT]
	09:43			ASSIST by THOMPSON,UNIQUE
	09:31			FOUL by MCKAY,JANIAH
MISSED JUMPER by LEWIS,JORDAN	09:03			
	09:03			BLOCK by JACKSON,ABIGAYLE
REBOUND (OFF) by TEAM	09:03			
	09:03			SUB IN: LEWIS,TIFFANY
	09:03			SUB OUT: MCKAY,JANIAH
MISSED JUMPER by BOLTON,QUANETRIA	09:00			
	09:00			BLOCK by JONES,JAZMINE
REBOUND (OFF) by BOLTON,QUANETRIA	09:00			
TURNOVER by BOLTON,QUANETRIA	09:00			
	08:34	39-31	H 8	GOOD! 3PTR by LEWIS,TIFFANY
	08:34			ASSIST by ALEXANDER,DAISA
TURNOVER by LEWIS,JORDAN	08:22			
	08:20			STEAL by LEWIS,TIFFANY
	08:18	41-31	H 10	GOOD! LAYUP by JONES,JAZMINE [FB/PNT]
	08:18			ASSIST by LEWIS,TIFFANY
TIMEOUT 30SEC	08:18			
	08:09			FOUL by JACKSON,ABIGAYLE
MISSED JUMPER by LEWIS,JORDAN	07:58			
	07:58			BLOCK by JACKSON,ABIGAYLE
	07:56			REBOUND (DEF) by JACKSON,ABIGAYLE
	07:44			MISSED JUMPER by ALEXANDER,DAISA
REBOUND (DEF) by WADE,SHAQUERA	07:44			
GOOD! LAYUP by WILLIAMS,ASHLEY [FB/PNT]	07:37	41-33	H 8	
ASSIST by COOK,HANNAH	07:37			
	07:14	43-33	H 10	GOOD! JUMPER by THOMPSON,UNIQUE [PNT]
	07:14			ASSIST by LEWIS,TIFFANY
	06:58			FOUL by ALEXANDER,DAISA
	06:49			FOUL by JACKSON,ABIGAYLE
GOOD! FT by COOK,HANNAH	06:49	43-34	H 9	
GOOD! FT by COOK,HANNAH	06:49	43-35	H 8	
SUB IN: WALKER,JASMINE	06:49			
SUB OUT: BOLTON,QUANETRIA	06:49			
	06:49			SUB IN: JONES,EMARI
	06:49			SUB OUT: JACKSON,ABIGAYLE
	06:32			MISSED JUMPER by JONES,EMARI
BLOCK by WILLIAMS,ASHLEY	06:32			
	06:30			REBOUND (OFF) by THOMPSON,UNIQUE
	06:20			MISSED JUMPER by JONES,EMARI
REBOUND (DEF) by WALKER,JASMINE	06:20			
MISSED 3PTR by WALKER,JASMINE	06:06			
	06:06			REBOUND (DEF) by THOMPSON,UNIQUE
	05:53	45-35	H 10	GOOD! LAYUP by THOMPSON,UNIQUE [PNT]
FOUL by LEWIS,JORDAN	05:44			
TURNOVER by LEWIS,JORDAN	05:44			
	05:44			SUB IN: LOPEZ,ISABELLA
	05:44			SUB OUT: ALEXANDER,DAISA
FOUL by WILLIAMS,ASHLEY	05:32			
	05:32	46-35	H 11	GOOD! FT by LEWIS,TIFFANY
	05:32	47-35	H 12	GOOD! FT by LEWIS,TIFFANY
SUB IN: KNIGHT,MEOSHONTI	05:32			
SUB IN: KNIGHT,COCO	05:32			
SUB OUT: WILLIAMS,ASHLEY	05:32			
SUB OUT: WADE,SHAQUERA	05:32			
TURNOVER by COOK,HANNAH	05:25			
	05:24			STEAL by LOPEZ,ISABELLA
	05:17			MISSED 3PTR by LEWIS,TIFFANY
	05:17			REBOUND (OFF) by JONES,EMARI
	04:58			MISSED LAYUP by THOMPSON,UNIQUE
REBOUND (DEF) by LEWIS,JORDAN	04:58			
GOOD! LAYUP by LEWIS,JORDAN [FB/PNT]	04:51	47-37	H 10	
	04:27	49-37	H 12	GOOD! LAYUP by THOMPSON,UNIQUE [PNT]
	04:27			ASSIST by JONES,JAZMINE
FOUL by COOK,HANNAH	04:16			
TURNOVER by COOK,HANNAH	04:16			
	04:16			TIMEOUT media
SUB IN: BOLTON,QUANETRIA	04:16			

VISITORS: Alabama	Time	Score	Margin	HOME: Auburn
SUB OUT: WALKER,JASMINE	04:16			
	04:16			SUB IN: ALEXANDER,DAISA
	04:16			SUB OUT: LOPEZ,ISABELLA
FOUL by BOLTON,QUANETRIA	03:58			
	03:48			MISSED JUMPER by THOMPSON,UNIQUE
	03:48			REBOUND (OFF) by THOMPSON,UNIQUE
	03:42			TURNOVER by THOMPSON,UNIQUE
STEAL by COOK,HANNAH	03:42			
	03:27			SUB IN: TOURE,SIRA
	03:27			SUB OUT: JONES,JAZMINE
MISSED JUMPER by KNIGHT,COCO	03:13			
REBOUND (OFF) by LEWIS,JORDAN	03:13			
	02:47			FOUL by ALEXANDER,DAISA
GOOD! FT by KNIGHT,MEOSHONTI	02:47	49-38	H 11	
GOOD! FT by KNIGHT,MEOSHONTI	02:47	49-39	H 10	
SUB IN: WADE,SHAQUERA	02:47			
SUB OUT: COOK,HANNAH	02:47			
	02:47			SUB IN: JONES,JESSICA
	02:47			SUB OUT: THOMPSON,UNIQUE
	02:45			SUB IN: JONES,JAZMINE
	02:45			SUB OUT: TOURE,SIRA
FOUL by BOLTON,QUANETRIA	02:38			
	02:38	50-39	H 11	GOOD! FT by JONES,EMARI
	02:38	51-39	H 12	GOOD! FT by JONES,EMARI
FOUL by KNIGHT,COCO	02:28			
TURNOVER by KNIGHT,COCO	02:28			
	02:17			MISSED LAYUP by JONES,EMARI
REBOUND (DEF) by KNIGHT,COCO	02:17			
GOOD! 3PTR by LEWIS,JORDAN	02:08	51-42	H 9	
ASSIST by KNIGHT,COCO	02:08			
	01:49			FOUL by ALEXANDER,DAISA
	01:49			TURNOVER by ALEXANDER,DAISA
SUB IN: COOK,HANNAH	01:49			
SUB IN: KNIGHT,ASHLEY	01:49			
SUB OUT: BOLTON,QUANETRIA	01:49			
SUB OUT: KNIGHT,MEOSHONTI	01:49			
	01:49			SUB IN: MCKAY,JANIAH
	01:49			SUB IN: THOMPSON,UNIQUE
	01:49			SUB OUT: ALEXANDER,DAISA
	01:49			SUB OUT: JONES,JESSICA
TURNOVER by WADE,SHAQUERA	01:41			
	01:40			STEAL by JONES,EMARI
	01:35			MISSED 3PTR by LEWIS,TIFFANY
REBOUND (DEF) by LEWIS,JORDAN	01:35			
GOOD! 3PTR by LEWIS,JORDAN	01:05	51-45	H 6	
FOUL by LEWIS,JORDAN	00:57			
	00:57	52-45	H 7	GOOD! FT by MCKAY,JANIAH
	00:57			MISSED FT by MCKAY,JANIAH
REBOUND (DEF) by KNIGHT,ASHLEY	00:57			
GOOD! LAYUP by KNIGHT,ASHLEY [PNT]	00:41	52-47	H 5	
ASSIST by COOK,HANNAH	00:41			
	00:33			SUB IN: ALEXANDER,DAISA
	00:33			SUB OUT: MCKAY,JANIAH
FOUL by KNIGHT,ASHLEY	00:21			
	00:21	53-47	H 6	GOOD! FT by THOMPSON,UNIQUE
	00:21	54-47	H 7	GOOD! FT by THOMPSON,UNIQUE
	00:21			SUB IN: JONES,JESSICA
	00:21			SUB OUT: JONES,EMARI
MISSED JUMPER by KNIGHT,COCO	00:01			
REBOUND (DEADB) by TEAM	00:01			

Alabama 60, Auburn 69

Period 3-only	In Paint	Off T/O	2nd Chance	Fast Break	Bench	
UA	6	2	2	4	4	Score tied - 0 times
AU	10	7	0	2	7	Lead changed - 0 times

**Alabama vs Auburn**  
**1/28/2018; 4:00 pm at Auburn Arena -- Auburn, Ala.**  
**Period 4 Play-By-Play**



VISITORS: Alabama	Time	Score	Margin	HOME: Auburn
SUB IN: KNIGHT,COCO	10:00			
SUB IN: KNIGHT,ASHLEY	10:00			
SUB OUT: BOLTON,QUANETRIA	10:00			
SUB OUT: WILLIAMS,ASHLEY	10:00			
	10:00			SUB IN: JONES,JESSICA
	10:00			SUB OUT: JACKSON,ABIGAYLE
TURNOVER by KNIGHT,ASHLEY	09:43			
	09:42			STEAL by JONES,JAZMINE
FOUL by WADE,SHAQUERA	09:25			
	09:25			MISSED FT by JONES,JAZMINE
	09:25			REBOUND (DEADB) by TEAM
	09:25			MISSED FT by JONES,JAZMINE
REBOUND (DEF) by WADE,SHAQUERA	09:25			
SUB IN: BOLTON,QUANETRIA	09:25			
SUB IN: WILLIAMS,ASHLEY	09:25			
SUB OUT: KNIGHT,COCO	09:25			
SUB OUT: KNIGHT,ASHLEY	09:25			
MISSED 3PTR by COOK,HANNAH	09:05			
REBOUND (OFF) by WILLIAMS,ASHLEY	09:05			
MISSED 3PTR by LEWIS,JORDAN	09:02			
REBOUND (OFF) by BOLTON,QUANETRIA	09:02			
GOOD! LAYUP by WADE,SHAQUERA [PNT]	08:39	54-49	H 5	
FOUL by BOLTON,QUANETRIA	08:19			
	08:13			MISSED JUMPER by ALEXANDER,DAISA
REBOUND (DEADB) by TEAM	08:13			
	08:12			FOUL by JONES,JESSICA
	08:12			SUB IN: JACKSON,ABIGAYLE
	08:12			SUB OUT: JONES,JESSICA
TURNOVER by WADE,SHAQUERA	08:04			
	07:44			FOUL by JACKSON,ABIGAYLE
	07:44			TURNOVER by JACKSON,ABIGAYLE
	07:44			TIMEOUT 30SEC
SUB IN: KNIGHT,MEOSHONTI	07:44			
SUB OUT: WADE,SHAQUERA	07:44			
	07:44			SUB IN: JONES,EMARI
	07:44			SUB OUT: JACKSON,ABIGAYLE
TURNOVER by LEWIS,JORDAN	07:20			
	07:18			STEAL by ALEXANDER,DAISA
	07:17	56-49	H 7	GOOD! LAYUP by ALEXANDER,DAISA [FB/PNT]
MISSED 3PTR by COOK,HANNAH	06:55			
REBOUND (OFF) by BOLTON,QUANETRIA	06:55			
TURNOVER by BOLTON,QUANETRIA	06:54			
SUB IN: KNIGHT,COCO	06:54			
SUB OUT: LEWIS,JORDAN	06:54			
	06:53			TURNOVER by JONES,JAZMINE
STEAL by KNIGHT,MEOSHONTI	06:52			
TURNOVER by KNIGHT,MEOSHONTI	06:51			
	06:50			STEAL by MCKAY,JANIAH
	06:46	58-49	H 9	GOOD! JUMPER by ALEXANDER,DAISA [FB]
	06:46			ASSIST by MCKAY,JANIAH
TURNOVER by KNIGHT,MEOSHONTI	06:39			
	06:37			STEAL by JONES,JAZMINE
	06:36	60-49	H 11	GOOD! LAYUP by ALEXANDER,DAISA [FB/PNT]
	06:36			ASSIST by JONES,JAZMINE
TIMEOUT 30SEC	06:35			
SUB IN: LEWIS,JORDAN	06:35			
SUB IN: WADE,SHAQUERA	06:35			
SUB OUT: COOK,HANNAH	06:35			
SUB OUT: KNIGHT,MEOSHONTI	06:35			
GOOD! JUMPER by BOLTON,QUANETRIA	06:20	60-51	H 9	
ASSIST by WADE,SHAQUERA	06:20			
	05:55			MISSED LAYUP by JONES,EMARI
	05:55			REBOUND (OFF) by JONES,EMARI
	05:37	62-51	H 11	GOOD! JUMPER by ALEXANDER,DAISA
	05:29			FOUL by MCKAY,JANIAH
	05:29			SUB IN: LEWIS,TIFFANY
	05:29			SUB OUT: MCKAY,JANIAH
GOOD! LAYUP by WADE,SHAQUERA [FB/PNT]	05:22	62-53	H 9	
	05:15			TURNOVER by JONES,JAZMINE

VISITORS: Alabama	Time	Score	Margin	HOME: Auburn
TURNOVER by KNIGHT,COCO	04:57			
	04:55			STEAL by THOMPSON,UNIQUE
	04:40			MISSED 3PTR by ALEXANDER,DAISA
	04:40			REBOUND (OFF) by THOMPSON,UNIQUE
FOUL by BOLTON,QUANETRIA	04:38			
	04:38			MISSED FT by THOMPSON,UNIQUE
	04:38			REBOUND (DEADB) by TEAM
	04:38	63-53	H 10	GOOD! FT by THOMPSON,UNIQUE
SUB IN: COOK,HANNAH	04:38			
SUB IN: WALKER,JASMINE	04:38			
SUB OUT: KNIGHT,COCO	04:38			
SUB OUT: WILLIAMS,ASHLEY	04:38			
	04:38			SUB IN: JONES,JESSICA
	04:38			SUB OUT: JONES,EMARI
	04:17			FOUL by JONES,JESSICA
	04:17			SUB IN: JACKSON,ABIGAYLE
	04:17			SUB OUT: JONES,JESSICA
GOOD! JUMPER by LEWIS,JORDAN	04:05	63-55	H 8	
	03:38			MISSED JUMPER by JONES,JAZMINE
REBOUND (DEF) by BOLTON,QUANETRIA	03:38			
	03:26			FOUL by JACKSON,ABIGAYLE
GOOD! FT by WADE,SHAQUERA	03:26	63-56	H 7	
MISSED FT by WADE,SHAQUERA	03:26			
REBOUND (OFF) by WALKER,JASMINE	03:26			
	03:26			SUB IN: JONES,EMARI
	03:26			SUB IN: MCKAY,JANIAH
	03:26			SUB OUT: JACKSON,ABIGAYLE
	03:26			SUB OUT: LEWIS,TIFFANY
MISSED JUMPER by WALKER,JASMINE	03:07			
REBOUND (OFF) by WADE,SHAQUERA	03:07			
MISSED JUMPER by BOLTON,QUANETRIA	02:47			
	02:47			REBOUND (DEF) by MCKAY,JANIAH
	02:37			TURNOVER by MCKAY,JANIAH
	02:24			FOUL by JONES,JAZMINE
GOOD! FT by COOK,HANNAH	02:24	63-57	H 6	
GOOD! FT by COOK,HANNAH	02:24	63-58	H 5	
	02:04			MISSED JUMPER by ALEXANDER,DAISA
	02:04			REBOUND (DEADB) by TEAM
FOUL by COOK,HANNAH	02:02			
	01:58			TURNOVER by MCKAY,JANIAH
MISSED 3PTR by WALKER,JASMINE	01:29			
	01:29			REBOUND (DEF) by JONES,JAZMINE
	01:03	65-58	H 7	GOOD! LAYUP by MCKAY,JANIAH [PNT]
MISSED 3PTR by BOLTON,QUANETRIA	00:49			
REBOUND (OFF) by TEAM	00:49			
SUB IN: WILLIAMS,ASHLEY	00:49			
SUB OUT: WALKER,JASMINE	00:49			
MISSED 3PTR by COOK,HANNAH	00:40			
	00:40			REBOUND (DEF) by JONES,EMARI
FOUL by WADE,SHAQUERA	00:33			
	00:33	66-58	H 8	GOOD! FT by MCKAY,JANIAH
	00:33	67-58	H 9	GOOD! FT by MCKAY,JANIAH
TIMEOUT TEAM	00:33			
	00:33			TIMEOUT 30SEC
	00:29			FOUL by THOMPSON,UNIQUE
GOOD! FT by WADE,SHAQUERA	00:29	67-59	H 8	
GOOD! FT by WADE,SHAQUERA	00:29	67-60	H 7	
	00:29			TIMEOUT TEAM
FOUL by COOK,HANNAH	00:22			
	00:22	68-60	H 8	GOOD! FT by JONES,EMARI
	00:22	69-60	H 9	GOOD! FT by JONES,EMARI
MISSED 3PTR by COOK,HANNAH	00:14			
	00:14			REBOUND (DEF) by THOMPSON,UNIQUE

Alabama 60, Auburn 69

Period 4-only	In Paint	Off T/O	2nd Chance	Fast Break	Bench	
UA	4	2	2	2	0	Score tied - 0 times
AU	6	7	3	6	2	Lead changed - 0 times

Alabama vs Auburn  
 1/28/2018; 4:00 pm at Auburn Arena -- Auburn, Ala.  
 Scoring/Runs Reference



Period 1

Alabama	VRun	Score	Margin	HRun	Auburn
09:35 - BOLTON LAYUP [P]	-	2-0	-2		
08:45 - BOLTON 3PTR	NaN-0	5-0	-5		
		5-2	-3		MCKAY JUMPER - 08:07
07:11 - BOLTON JUMPER	-	7-2	-5		
06:37 - BOLTON 3PTR	5-0	10-2	-8		
05:38 - LEWIS FT	6-0	11-2	-9		
		11-5	-6		LEWIS 3PTR - 05:18
05:07 - BOLTON LAYUP [P] [F]	-	13-5	-8		
		13-8	-5		LEWIS 3PTR - 04:19
03:40 - WILLIAMS JUMPER [P] [F]	-	15-8	-7		
		15-9	-6		THOMPSON FT - 02:47
		15-10	-5	2-0	THOMPSON FT - 02:47
02:31 - WILLIAMS FT	-	16-10	-6		
02:31 - WILLIAMS FT	2-0	17-10	-7		
		17-12	-5		ALEXANDER LAYUP [P] - 02:05
01:47 - LEWIS FT	-	18-12	-6		
01:47 - LEWIS FT	2-0	19-12	-7		
		19-13	-6		MCKAY FT - 01:19
		19-14	-5	2-0	MCKAY FT - 01:19
01:11 - LEWIS FT	-	20-14	-6		
01:11 - LEWIS FT	2-0	21-14	-7		
		21-16	-5		MCKAY JUMPER - 00:24

Alabama vs Auburn  
 1/28/2018; 4:00 pm at Auburn Arena -- Auburn, Ala.  
 Scoring/Runs Reference



**Period 2**

Alabama	VRun	Score	Margin	HRun	Auburn
		21-18	-3		MCKAY LAYUP [P] - 09:32
09:10 - WADE 3PTR	-	24-18	-6		
		24-20	-4		ALEXANDER JUMPER - 08:54
		24-21	-3	3-0	MCKAY FT - 08:40
		24-22	-2	4-0	MCKAY FT - 08:40
		24-23	-1	5-0	THOMPSON FT - 08:17
07:49 - COOK 3PTR	-	27-23	-4		
		27-24	-3		MCKAY FT - 07:18
		27-27	0	4-0	JONES 3PTR - 06:54
		27-29	2	6-0	MCKAY LAYUP [P] [F] - 06:34
		27-31	4	8-0	THOMPSON LAYUP [P] - 04:18
02:55 - KNIGHT FT	-	28-31	3		
02:15 - COOK 3PTR	4-0	31-31	0		
		31-34	3		JONES 3PTR - 01:06

Alabama vs Auburn  
 1/28/2018; 4:00 pm at Auburn Arena -- Auburn, Ala.  
 Scoring/Runs Reference



Period 3

Alabama	VRun	Score	Margin	HRun	Auburn
		31-36	5		JONES JUMPER [P] - 09:43
		31-39	8	NaN-0	LEWIS 3PTR - 08:34
		31-41	10	NaN-0	JONES LAYUP [P] [F] - 08:18
07:37 - WILLIAMS LAYUP [P] [F]	-	33-41	8		
		33-43	10		THOMPSON JUMPER [P] - 07:14
06:49 - COOK FT	-	34-43	9		
06:49 - COOK FT	2-0	35-43	8		
		35-45	10		THOMPSON LAYUP [P] - 05:53
		35-46	11	3-0	LEWIS FT - 05:32
		35-47	12	4-0	LEWIS FT - 05:32
04:51 - LEWIS LAYUP [P] [F]	-	37-47	10		
		37-49	12		THOMPSON LAYUP [P] - 04:27
02:47 - KNIGHT FT	-	38-49	11		
02:47 - KNIGHT FT	2-0	39-49	10		
		39-50	11		JONES FT - 02:38
		39-51	12	2-0	JONES FT - 02:38
02:08 - LEWIS 3PTR	-	42-51	9		
01:05 - LEWIS 3PTR	6-0	45-51	6		
		45-52	7		MCKAY FT - 00:57
00:41 - KNIGHT LAYUP [P]	-	47-52	5		
		47-53	6		THOMPSON FT - 00:21
		47-54	7	2-0	THOMPSON FT - 00:21



Alabama vs Auburn  
 1/28/2018; 4:00 pm at Auburn Arena -- Auburn, Ala.  
 Scoring/Runs Reference

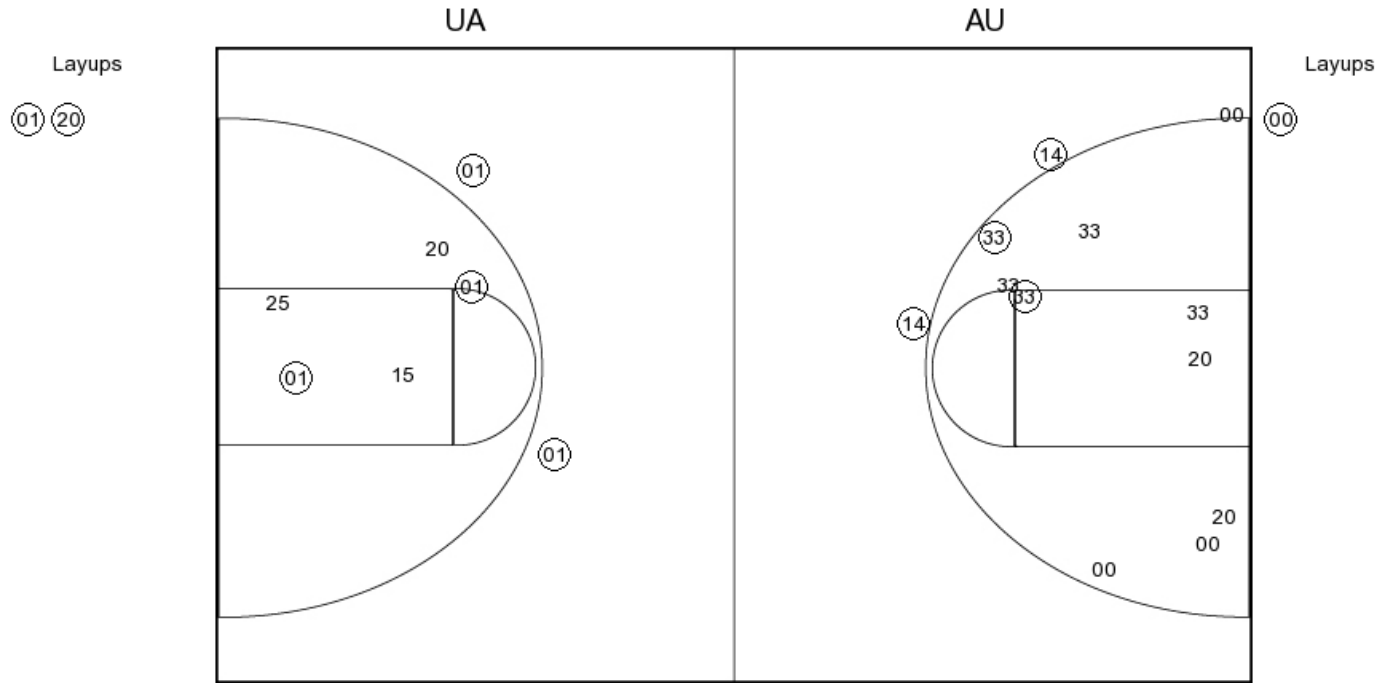


Period 4

Alabama	VRun	Score	Margin	HRun	Auburn
08:39 - WADE LAYUP [P]	-	49-54	5		
		49-56	7		ALEXANDER LAYUP [P] [F] - 07:17
		49-58	9	4-0	ALEXANDER JUMPER [F] - 06:46
		49-60	11	6-0	ALEXANDER LAYUP [P] [F] - 06:36
06:20 - BOLTON JUMPER	-	51-60	9		
		51-62	11		ALEXANDER JUMPER - 05:37
05:22 - WADE LAYUP [P] [F]	-	53-62	9		
		53-63	10		THOMPSON FT - 04:38
04:05 - LEWIS JUMPER	-	55-63	8		
03:26 - WADE FT	3-0	56-63	7		
02:24 - COOK FT	4-0	57-63	6		
02:24 - COOK FT	5-0	58-63	5		
		58-65	7		MCKAY LAYUP [P] - 01:03
		58-66	8	3-0	MCKAY FT - 00:33
		58-67	9	4-0	MCKAY FT - 00:33
00:29 - WADE FT	-	59-67	8		
00:29 - WADE FT	2-0	60-67	7		
		60-68	8		JONES FT - 00:22
		60-69	9	2-0	JONES FT - 00:22



PERIOD 1



**UA PERIOD 1**

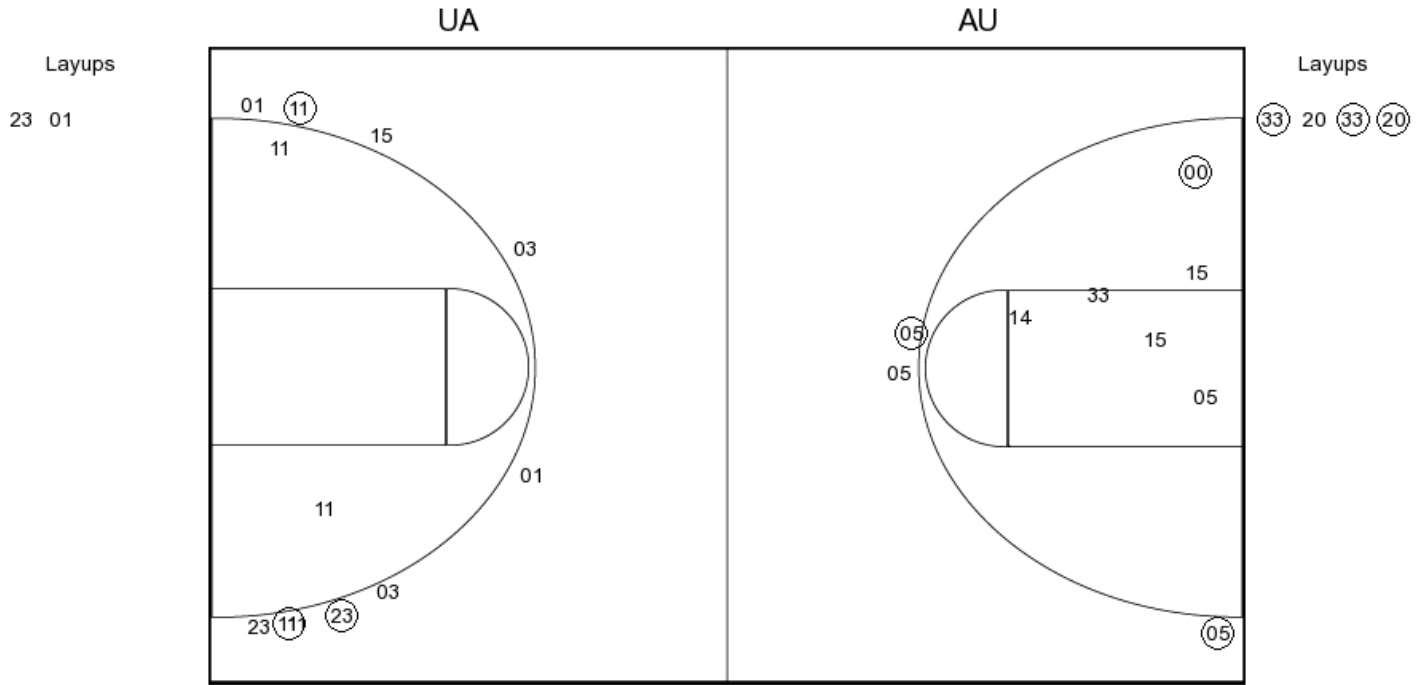
FG Made	9
FG Attempted	23
3PFG Made	5
3PFG Attempted	12

**AU PERIOD 1**

FG Made	11
FG Attempted	25
3PFG Made	4
3PFG Attempted	5



**PERIOD 2**



**UA PERIOD 2**

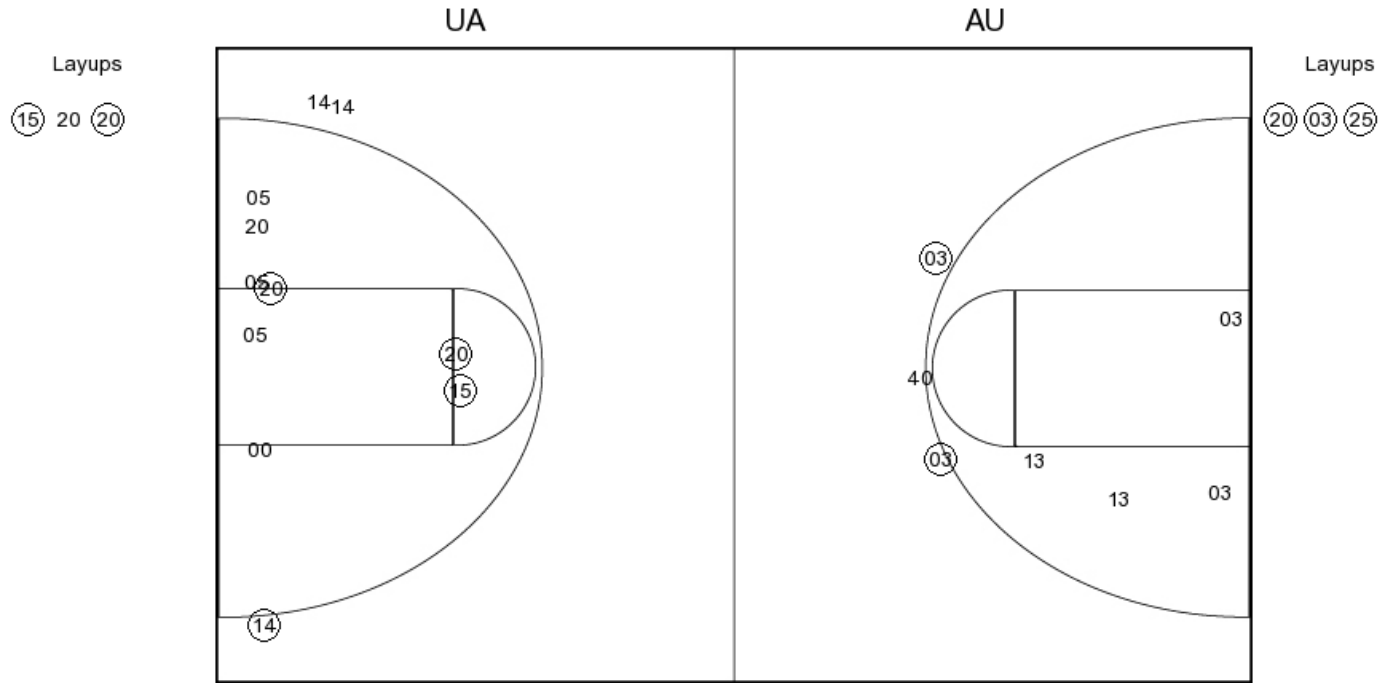
FG Made  
 FG Attempted  
 3PFG Made  
 3PFG Attempted

**AU PERIOD 2**

FG Made  
 FG Attempted  
 3PFG Made  
 3PFG Attempted



**PERIOD 3**



**UA PERIOD 3**

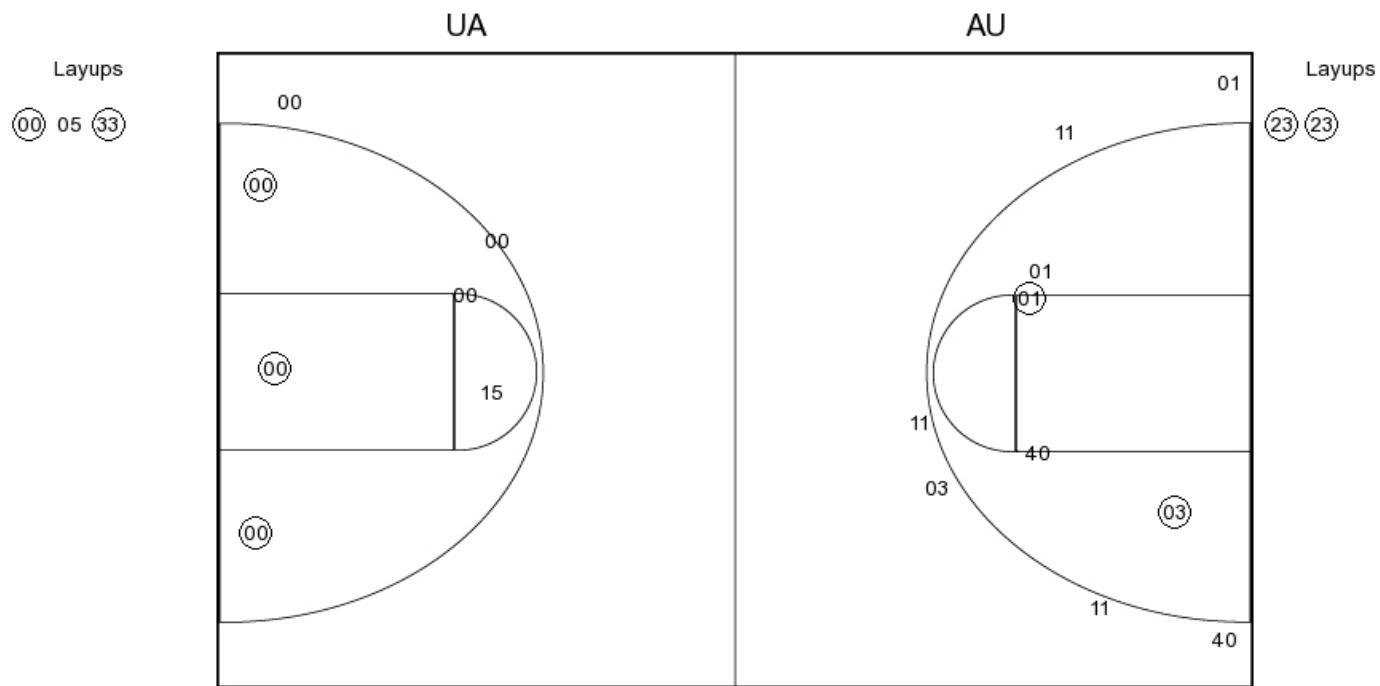
FG Made	9
FG Attempted	24
3PFG Made	2
3PFG Attempted	10

**AU PERIOD 3**

FG Made	11
FG Attempted	24
3PFG Made	1
3PFG Attempted	4



**PERIOD 4**



**UA PERIOD 4**

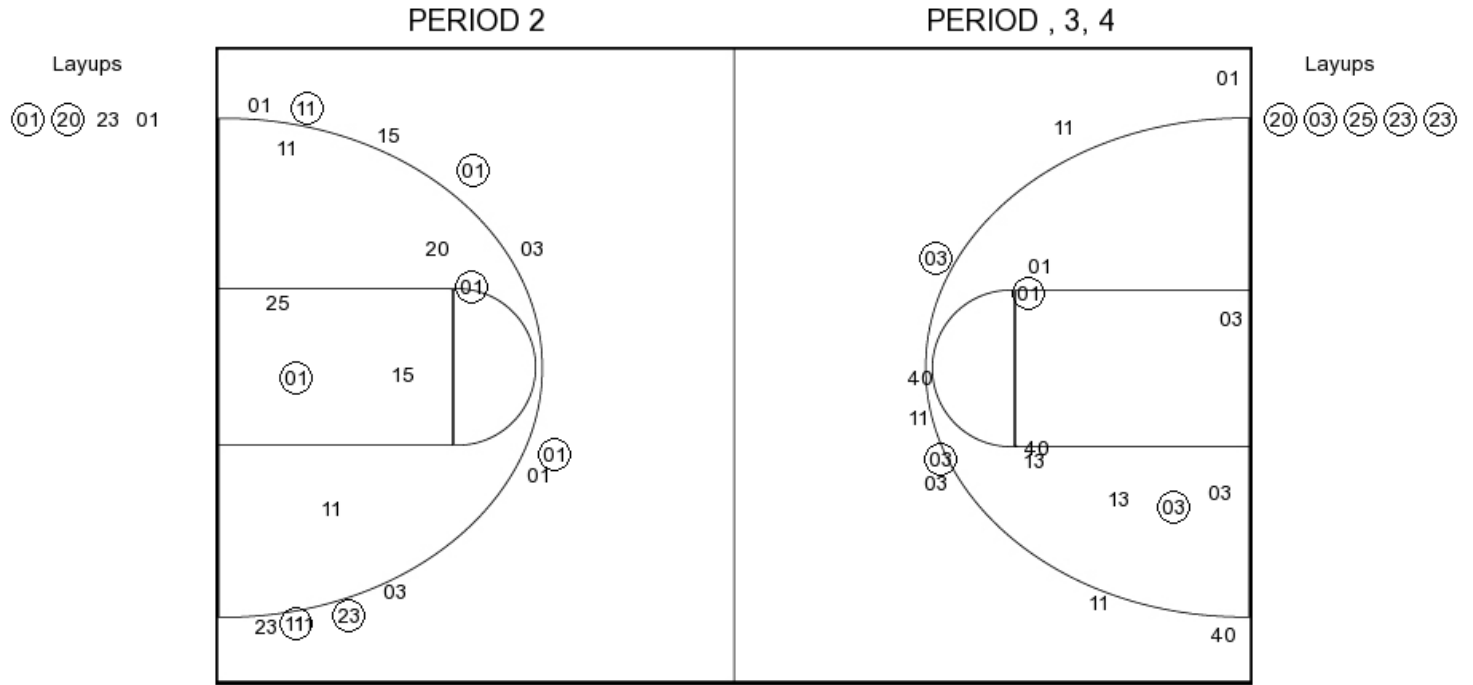
FG Made  
 FG Attempted  
 3PFG Made  
 3PFG Attempted

**AU PERIOD 4**

FG Made  
 FG Attempted  
 3PFG Made  
 3PFG Attempted



Alabama



**UA PERIOD 1**

FG Made	9
FG Attempted	23
3PFG Made	5
3PFG Attempted	12

**UA PERIOD 2**

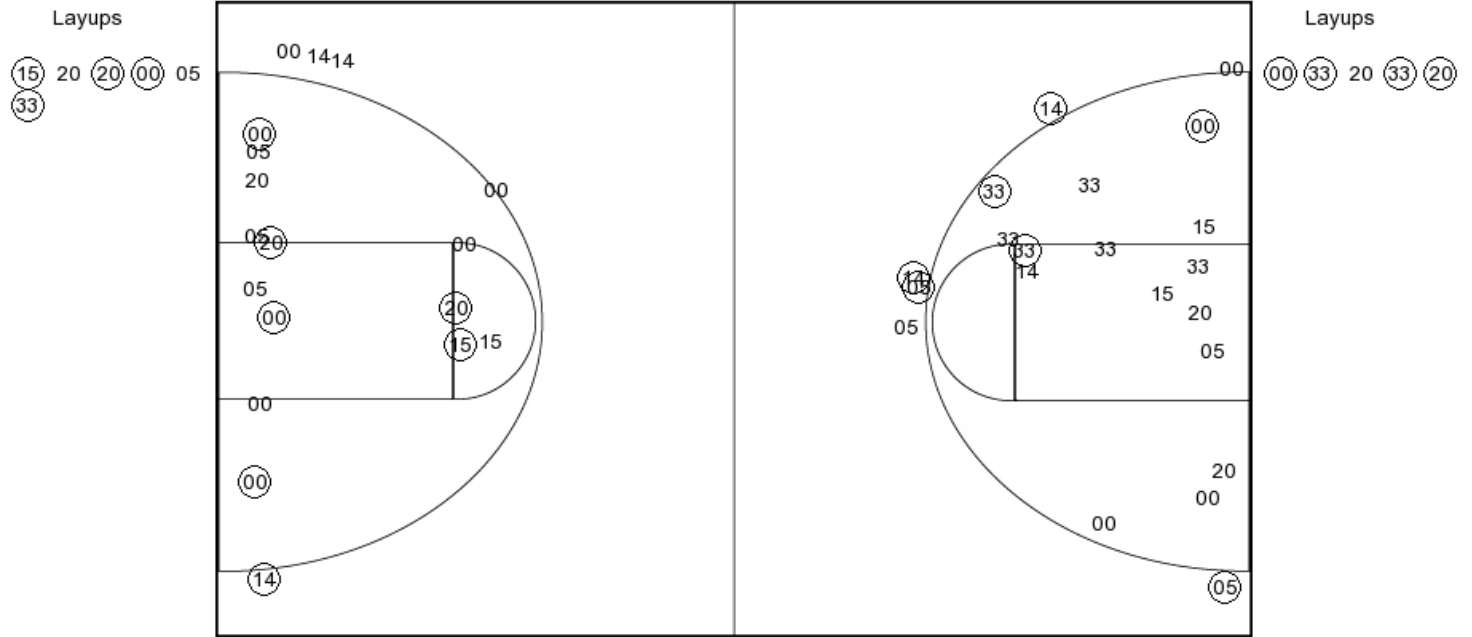
FG Made	
FG Attempted	
3PFG Made	
3PFG Attempted	



**Auburn**

PERIOD , 3, 4

PERIOD 2



**AU PERIOD 1**

FG Made	11
FG Attempted	25
3PFG Made	4
3PFG Attempted	5

**AU PERIOD 2**

FG Made	
FG Attempted	
3PFG Made	
3PFG Attempted	