

FINAL SCORE

Arkansas

11-9, 2-5

42

#9/7 South Carolina

16-3, 5-2

90

January 25, 2018 • Columbia, S.C./Colonial Life Arena

FINAL STATISTICS

Official Basketball Box Score -- Game Totals -- Final Statistics
Arkansas vs #9/7 South Carolina
1/25/2018 6:30 p.m. at Columbia, S.C./Colonial Life Arena

Arkansas 42 - 11-9, 2-5

##	Player		Total		3-Ptr	Rebounds			PF	TP	A	TO	Blk	Stl	Min
			FG-FGA	FG-FGA	FG-FGA	Off	Def	Tot							
03	MONK,MALICA	g	6-20	0-0	0-0	2	0	2	3	12	0	1	0	1	27
10	WILLIAMS,KIARA	f	0-2	0-1	0-0	1	3	4	3	0	0	0	0	1	14
14	MASON,JAILYN	g	5-12	0-2	0-0	1	1	2	2	10	1	0	1	0	32
21	COSPER,DEVIN	g	1-6	1-4	0-2	0	1	1	0	3	2	0	0	0	24
22	ZIMMERMAN,BAILEY	f	1-4	0-3	0-0	2	0	2	2	2	1	2	0	0	17
01	NORTHCROSS-BAKER,RA		0-3	0-0	0-0	0	2	2	3	0	0	1	1	0	14
04	SWENSON,KEIRYN		1-8	1-5	3-5	1	3	4	1	6	0	1	1	0	17
12	MCCLURE,BRENNA		0-1	0-0	0-0	0	0	0	0	0	0	1	0	0	2
13	SPANGLER,GRAYCE		0-1	0-0	0-0	0	0	0	3	0	0	1	0	1	9
20	STOUT,SYDNEY		0-0	0-0	0-0	0	0	0	2	0	1	1	0	2	9
24	THOMAS,TAYLAH		1-6	0-1	0-0	2	4	6	3	2	0	2	1	0	24
30	WEAVER,MACY		3-4	0-0	1-3	2	0	2	3	7	0	2	1	0	11
TEAM						3	3	6	0		0				
TOTALS			18-67	2-16	4-10	14	17	31	25	42	5	12	5	5	200

Deadball Rebounds: 4,2

FG %	1st Half:	6-33	18.2%	2nd Half:	12-34	35.3%	Game:	18-67	26.9%					
	1st Qtr	3-17	17.6%	2nd Qtr	3-16	18.8%	3rd Qtr	9-22	40.9%	4th Qtr	3-12	25.0%		
3FG %	1st Half:	0-8	00.0%	2nd Half:	2-8	25.0%	Game:	2-16	12.5%					
	1st Qtr	0-3	00.0%	2nd Qtr	0-5	00.0%	3rd Qtr	2-6	33.3%	4th Qtr	0-2	00.0%		
FT %	1st Half:	0-0	0%	2nd Half:	4-10	40.0%	Game:	4-10	40.0%					
	1st Qtr	0-0	0%	2nd Qtr	0-0	0%	3rd Qtr	0-0	0%	4th Qtr	4-10	40.0%		

#9/7 South Carolina 90 - 16-3, 5-2

##	Player		Total		3-Ptr	Rebounds			PF	TP	A	TO	Blk	Stl	Min
			FG-FGA	FG-FGA	FG-FGA	Off	Def	Tot							
04	CLINEY,DONIAH	g	2-8	0-1	3-3	2	3	5	1	7	4	1	0	0	35
10	JACKSON,BIANCA	g	5-14	2-7	4-5	2	1	3	2	16	1	2	0	2	30
22	WILSON,A'JA	f	11-19	0-1	5-6	6	7	13	3	27	3	3	7	0	26
35	JENNINGS,ALEXIS	f	9-9	0-0	4-6	3	7	10	0	22	1	0	1	1	23
52	HARRIS,TYASHA	g	1-6	1-4	2-4	3	10	13	1	5	6	3	0	1	31
00	PATRICK,VICTORIA		1-9	1-7	1-2	1	0	1	0	4	0	1	0	1	21
23	WILLIAMS,LADAZHIA		2-5	0-0	0-0	4	0	4	2	4	0	0	1	0	15
24	GRISSETT,LELE		1-5	0-0	3-5	3	4	7	3	5	2	1	0	3	19
TEAM						3	3	6	0		0				
TOTALS			32-75	4-20	22-31	27	35	62	12	90	17	11	9	8	200

Deadball Rebounds: 6,2

FG %	1st Half:	18-38	47.4%	2nd Half:	14-37	37.8%	Game:	32-75	42.7%					
	1st Qtr	11-20	55.0%	2nd Qtr	7-18	38.9%	3rd Qtr	9-21	42.9%	4th Qtr	5-16	31.3%		
3FG %	1st Half:	4-11	36.4%	2nd Half:	0-9	00.0%	Game:	4-20	20.0%					
	1st Qtr	1-4	25.0%	2nd Qtr	3-7	42.9%	3rd Qtr	0-6	00.0%	4th Qtr	0-3	00.0%		
FT %	1st Half:	4-6	66.7%	2nd Half:	18-25	72.0%	Game:	22-31	71.0%					
	1st Qtr	2-3	66.7%	2nd Qtr	2-3	66.7%	3rd Qtr	9-12	75.0%	4th Qtr	9-13	69.2%		

Officials: Jesse Dickerson, Roy Gulbeyan, Ed Sidlasky
 Technical Fouls: Arkansas- None. #9/7 South Carolina- None.
 Attendance: 12844

Score by periods	1st	2nd	3rd	4th	Total
Arkansas	6	6	20	10	42
#9/7 South Carolina	25	19	27	19	90

Points	In Paint	Off T/O	2nd Chance	Fast Break	Bench
AR	28	9	9	9	15
SC	44	15	28	6	13

Last FG - AR 4th-02:21, SC 4th-02:38.
 Largest lead - Arkansas by ; #9/7 South Carolina by 48 4th-00:25
 AR led for 0:00. SC led for 39:49. Game was tied for 0:11.

Score tied - 0 times; Lead changed - 0 times

Official Basketball Box Score -- Game Totals -- First Half Statistics
Arkansas vs #9/7 South Carolina
1/25/2018 6:30 p.m. at Columbia, S.C./Colonial Life Arena

Arkansas 12 • 11-9, 2-5

##	Player		Total		3-Ptr	Rebounds			PF	TP	A	TO	Blk	Stl	Min
			FG-FGA	FG-FGA	FG-FGA	Off	Def	Tot							
03	MONK,MALICA	g	2-9	0-0	0-0	0	0	0	2	4	0	1	0	0	15
10	WILLIAMS,KIARA	f	0-2	0-1	0-0	1	2	3	2	0	0	0	0	1	12
14	MASON,JAILYN	g	3-8	0-2	0-0	0	0	0	0	6	0	0	0	0	19
21	COSPER,DEVIN	g	0-2	0-1	0-0	0	0	0	0	0	0	0	0	0	11
22	ZIMMERMAN,BAILEY	f	1-2	0-1	0-0	1	0	1	2	2	0	1	0	0	11
01	NORTHCROSS-BAKER,RA		0-3	0-0	0-0	0	2	2	0	0	0	1	1	0	8
04	SWENSON,KEIRYN		0-3	0-2	0-0	0	0	0	0	0	0	1	0	0	5
12	MCCLURE,BRENNA		0-0	0-0	0-0	0	0	0	0	0	0	0	0	0	0
13	SPANGLER,GRAYCE		0-0	0-0	0-0	0	0	0	1	0	0	0	0	0	2
20	STOUT,SYDNEY		0-0	0-0	0-0	0	0	0	1	0	0	0	0	1	2
24	THOMAS,TAYLAH		0-4	0-1	0-0	0	1	1	1	0	0	1	1	0	13
30	WEAVER,MACY		0-0	0-0	0-0	1	0	1	0	0	0	0	0	0	2
TEAM						0	2	2	0		0				
Totals			6-33	0-8	0-0	3	7	10	9	12	0	5	2	2	100
FG %	1st Qtr	3-17	17.6%	2nd Qtr	3-16	18.8%	Half:	6-33	18.2%						
3FG %	1st Qtr	0-3	00.0%	2nd Qtr	0-5	00.0%	Half:	0-8	00.0%						
FT %	1st Qtr	0-0	0%	2nd Qtr	0-0	0%	Half:	0-0	0%						

#9/7 South Carolina 44 • 16-3, 5-2

##	Player		Total		3-Ptr	Rebounds			PF	TP	A	TO	Blk	Stl	Min
			FG-FGA	FG-FGA	FG-FGA	Off	Def	Tot							
04	CLINEY,DONIYAH	g	1-5	0-0	0-0	2	1	3	0	2	1	1	0	0	19
10	JACKSON,BIANCA	g	4-9	2-4	1-2	1	1	2	1	11	0	1	0	1	14
22	WILSON,A'JA	f	7-11	0-1	2-2	2	5	7	1	16	2	3	5	0	15
35	JENNINGS,ALEXIS	f	3-3	0-0	0-0	2	3	5	0	6	1	0	0	0	13
52	HARRIS,TYASHA	g	1-5	1-3	1-2	0	9	9	0	4	5	1	0	0	19
00	PATRICK,VICTORIA		1-3	1-3	0-0	0	0	0	0	3	0	0	0	0	8
23	WILLIAMS,LADAZHIA		1-1	0-0	0-0	3	0	3	0	2	0	0	0	0	5
24	GRISSETT,LELE		0-1	0-0	0-0	0	2	2	1	0	0	0	0	1	7
TEAM						0	1	1	0		0				
Totals			18-38	4-11	4-6	10	22	32	3	44	9	6	5	2	100
FG %	1st Qtr	11-20	55.0%	2nd Qtr	7-18	38.9%	Half:	18-38	47.4%						
3FG %	1st Qtr	1-4	25.0%	2nd Qtr	3-7	42.9%	Half:	4-11	36.4%						
FT %	1st Qtr	2-3	66.7%	2nd Qtr	2-3	66.7%	Half:	4-6	66.7%						

Officials: Jesse Dickerson, Roy Gulbeyan, Ed Sidlasky
 Technical Fouls: Arkansas- None. #9/7 South Carolina- None.

Score by periods	1st	2nd	3rd	4th	Total
Arkansas	6	6	20	10	42
#9/7 South Carolina	25	19	27	19	90

Points	In Paint	Off T/O	2nd Chance	Fast Break	Bench
AR	10	4	2	4	0
	22	7	13	4	5

Last FG - AR 2nd-01:04, SC 2nd-00:41.
 AR led for 0:00. SC led for 19:49. Game was tied for 0:11.

Score tied - 0 times
 Lead changed - 0 times

Arkansas vs #9/7 South Carolina
1/25/2018; 6:30 p.m. at Columbia, S.C./Colonial Life Arena
Period 1 Play-By-Play

VISITORS: Arkansas	Time	Score	Margin	HOME: #9/7 South Carolina
	09:49	2-0	H 2	GOOD! LAYUP by JENNINGS,ALEXIS [PNT]
	09:49			ASSIST by WILSON,A'JA
MISSED 3PTR by WILLIAMS,KIARA	09:35			
	09:35			REBOUND (DEF) by WILSON,A'JA
	09:19	4-0	H 4	GOOD! LAYUP by WILSON,A'JA [PNT]
GOOD! JUMPER by MASON,JAILYN [PNT]	08:48	4-2	H 2	
FOUL by ZIMMERMAN,BAILEY	08:31			
	08:17			MISSED 3PTR by JACKSON,BIANCA
REBOUND (DEF) by WILLIAMS,KIARA	08:17			
MISSED JUMPER by MONK,MALICA	08:07			
	08:07			REBOUND (DEADB) by TEAM
FOUL by WILLIAMS,KIARA	08:06			
	07:46			MISSED 3PTR by WILSON,A'JA
	07:46			REBOUND (OFF) by CLINEY,DONIYAH
	07:38	6-2	H 4	GOOD! LAYUP by WILSON,A'JA [PNT]
	07:38			ASSIST by HARRIS,TYASHA
MISSED JUMPER by MASON,JAILYN	07:11			
	07:11			REBOUND (DEF) by HARRIS,TYASHA
	06:50	8-2	H 6	GOOD! LAYUP by JACKSON,BIANCA [PNT]
GOOD! LAYUP by MONK,MALICA [FB/PNT]	06:42	8-4	H 4	
	06:30			TURNOVER by WILSON,A'JA
MISSED LAYUP by MONK,MALICA	06:21			
	06:21			REBOUND (DEF) by WILSON,A'JA
	06:00	10-4	H 6	GOOD! JUMPER by JACKSON,BIANCA [PNT]
MISSED 3PTR by ZIMMERMAN,BAILEY	05:40			
REBOUND (OFF) by WILLIAMS,KIARA	05:40			
MISSED JUMPER by MASON,JAILYN	05:35			
	05:35			REBOUND (DEF) by HARRIS,TYASHA
	05:23			MISSED JUMPER by WILSON,A'JA
	05:23			REBOUND (OFF) by JENNINGS,ALEXIS
	05:20	12-4	H 8	GOOD! LAYUP by JENNINGS,ALEXIS [PNT]
MISSED 3PTR by COSPER,DEVIN	05:06			
	05:06			REBOUND (DEF) by HARRIS,TYASHA
	04:56	14-4	H 10	GOOD! LAYUP by JENNINGS,ALEXIS [PNT]
	04:56			ASSIST by WILSON,A'JA
MISSED JUMPER by WILLIAMS,KIARA	04:38			
	04:38			BLOCK by WILSON,A'JA
	04:37			REBOUND (DEF) by CLINEY,DONIYAH
	04:32	16-4	H 12	GOOD! LAYUP by WILSON,A'JA [FB/PNT]
	04:32			ASSIST by HARRIS,TYASHA
FOUL by MONK,MALICA	04:32			
	04:32			TIMEOUT MEDIA
	04:32	17-4	H 13	GOOD! FT by WILSON,A'JA
SUB IN: THOMAS,TAYLAH	04:32			
SUB IN: NORTHCROSS-BAKER,RA	04:32			
SUB OUT: WILLIAMS,KIARA	04:32			
SUB OUT: ZIMMERMAN,BAILEY	04:32			
GOOD! JUMPER by MASON,JAILYN	04:11	17-6	H 11	
	03:50	20-6	H 14	GOOD! 3PTR by JACKSON,BIANCA
	03:50			ASSIST by CLINEY,DONIYAH
MISSED JUMPER by COSPER,DEVIN	03:29			
	03:29			REBOUND (DEF) by JENNINGS,ALEXIS
	03:20			MISSED JUMPER by CLINEY,DONIYAH
REBOUND (DEF) by NORTHCROSS-BAKER,RA	03:20			
MISSED JUMPER by NORTHCROSS-BAKER,RA	03:14			
	03:14			REBOUND (DEF) by HARRIS,TYASHA
	03:07			MISSED JUMPER by HARRIS,TYASHA
	03:07			REBOUND (OFF) by JENNINGS,ALEXIS
	02:53	22-6	H 16	GOOD! JUMPER by CLINEY,DONIYAH
MISSED JUMPER by MONK,MALICA	02:33			
	02:33			REBOUND (DEF) by JACKSON,BIANCA
	02:23			TURNOVER by JACKSON,BIANCA
SUB IN: SWENSON,KEIRYN	02:23			
SUB OUT: COSPER,DEVIN	02:23			
	02:23			SUB IN: GRISSETT,LELE
	02:23			SUB IN: PATRICK,VICTORIA
	02:23			SUB OUT: CLINEY,DONIYAH
	02:23			SUB OUT: JENNINGS,ALEXIS
MISSED JUMPER by THOMAS,TAYLAH	02:06			

VISITORS: Arkansas	Time	Score	Margin	HOME: #9/7 South Carolina
	02:06			BLOCK by WILSON,A'JA
	02:05			REBOUND (DEF) by WILSON,A'JA
	01:46			MISSED 3PTR by JACKSON,BIANCA
	01:46			REBOUND (OFF) by WILSON,A'JA
	01:43	24-6	H 18	GOOD! LAYUP by WILSON,A'JA [PNT]
TURNOVER by SWENSON,KEIRYN	01:22			
	01:20			STEAL by GRISSETT,LELE
	01:11			MISSED JUMPER by GRISSETT,LELE
BLOCK by NORTHCROSS-BAKER,RA	01:11			
REBOUND (DEF) by NORTHCROSS-BAKER,RA	01:10			
MISSED JUMPER by NORTHCROSS-BAKER,RA	01:06			
	01:06			BLOCK by WILSON,A'JA
	01:05			REBOUND (DEF) by HARRIS,TYASHA
FOUL by MONK,MALICA	01:01			
	01:01			MISSED FT by HARRIS,TYASHA
	01:01			REBOUND (DEADB) by TEAM
	01:01	25-6	H 19	GOOD! FT by HARRIS,TYASHA
SUB IN: COSPER,DEVIN	01:01			
SUB OUT: MONK,MALICA	01:01			
	01:01			SUB IN: CLINEY,DONIYAH
	01:01			SUB OUT: HARRIS,TYASHA
MISSED LAYUP by SWENSON,KEIRYN	00:46			
	00:46			BLOCK by WILSON,A'JA
	00:45			REBOUND (DEF) by WILSON,A'JA
	00:31			TURNOVER by WILSON,A'JA
	00:31			FOUL by WILSON,A'JA
TURNOVER by NORTHCROSS-BAKER,RA	00:06			
	00:05			STEAL by JACKSON,BIANCA
	00:02			MISSED LAYUP by CLINEY,DONIYAH
	00:02			REBOUND (OFF) by JACKSON,BIANCA
	00:00			MISSED JUMPER by JACKSON,BIANCA
BLOCK by THOMAS,TAYLAH	00:00			
	00:00			REBOUND (DEADB) by TEAM

Arkansas 6, #9/7 South Carolina 25

Period 1-only	In Paint	Off T/O	2nd Chance	Fast Break	Bench	
AR	4	0	0	2	0	Score tied - 0 times
SC	18	0	8	2	0	Lead changed - 0 times

Arkansas vs #9/7 South Carolina
1/25/2018; 6:30 p.m. at Columbia, S.C./Colonial Life Arena
Period 2 Play-By-Play

VISITORS: Arkansas	Time	Score	Margin	HOME: #9/7 South Carolina
SUB IN: NORTHCROSS-BAKER,RA	10:00			
SUB IN: THOMAS,TAYLAH	10:00			
SUB IN: SWENSON,KEIRYN	10:00			
SUB OUT: MONK,MALICA	10:00			
SUB OUT: WILLIAMS,KIARA	10:00			
SUB OUT: ZIMMERMAN,BAILEY	10:00			
	10:00			SUB IN: GRISSETT,LELE
	10:00			SUB IN: PATRICK,VICTORIA
	10:00			SUB OUT: JACKSON,BIANCA
	10:00			SUB OUT: WILSON,A'JA
MISSED JUMPER by THOMAS,TAYLAH	09:51			
	09:51			REBOUND (DEF) by JENNINGS,ALEXIS
	09:33			MISSED JUMPER by CLINEY,DONIYAH
REBOUND (DEADB) by TEAM	09:33			
	09:31			FOUL by GRISSETT,LELE
TURNOVER by THOMAS,TAYLAH	09:22			
FOUL by THOMAS,TAYLAH	09:22			
	09:10	28-6	H 22	GOOD! 3PTR by HARRIS,TYASHA
MISSED 3PTR by THOMAS,TAYLAH	08:55			
	08:55			REBOUND (DEF) by HARRIS,TYASHA
	08:43			TURNOVER by HARRIS,TYASHA
SUB IN: WILLIAMS,KIARA	08:43			
SUB OUT: NORTHCROSS-BAKER,RA	08:43			
MISSED 3PTR by SWENSON,KEIRYN	08:19			
	08:19			REBOUND (DEF) by JENNINGS,ALEXIS
	07:57			MISSED 3PTR by HARRIS,TYASHA
REBOUND (DEF) by WILLIAMS,KIARA	07:57			
SUB IN: ZIMMERMAN,BAILEY	07:51			
SUB OUT: COSPER,DEVIN	07:51			
GOOD! JUMPER by MASON,JAILYN [PNT]	07:29	28-8	H 20	
	07:00	31-8	H 23	GOOD! 3PTR by PATRICK,VICTORIA
	07:00			ASSIST by JENNINGS,ALEXIS
MISSED 3PTR by SWENSON,KEIRYN	06:22			
	06:22			REBOUND (DEADB) by TEAM
SUB IN: MONK,MALICA	06:22			
SUB OUT: SWENSON,KEIRYN	06:22			
	06:04			MISSED 3PTR by PATRICK,VICTORIA
REBOUND (DEF) by TEAM	06:04			
MISSED JUMPER by MONK,MALICA	05:45			
	05:45			REBOUND (DEF) by GRISSETT,LELE
	05:28			MISSED 3PTR by HARRIS,TYASHA
	05:28			REBOUND (DEADB) by TEAM
FOUL by ZIMMERMAN,BAILEY	05:26			
	05:26			SUB IN: WILSON,A'JA
	05:26			SUB IN: WILLIAMS,LADAZHIA
	05:26			SUB OUT: GRISSETT,LELE
	05:26			SUB OUT: JENNINGS,ALEXIS
	05:15			MISSED 3PTR by PATRICK,VICTORIA
REBOUND (DEF) by TEAM	05:15			
TURNOVER by ZIMMERMAN,BAILEY	05:04			
	04:46	33-8	H 25	GOOD! LAYUP by WILSON,A'JA [PNT]
MISSED JUMPER by THOMAS,TAYLAH	04:30			
	04:30			BLOCK by WILSON,A'JA
	04:29			REBOUND (DEF) by TEAM
	04:28			TIMEOUT media
	04:28			SUB IN: JACKSON,BIANCA
	04:28			SUB OUT: PATRICK,VICTORIA
	04:04			TURNOVER by CLINEY,DONIYAH
STEAL by WILLIAMS,KIARA	04:03			
MISSED 3PTR by MASON,JAILYN	03:59			
REBOUND (OFF) by ZIMMERMAN,BAILEY	03:59			
GOOD! JUMPER by ZIMMERMAN,BAILEY [PNT]	03:50	33-10	H 23	
	03:32			MISSED JUMPER by CLINEY,DONIYAH
	03:32			REBOUND (OFF) by WILLIAMS,LADAZHIA
	03:23	35-10	H 25	GOOD! JUMPER by WILLIAMS,LADAZHIA
	03:23			ASSIST by HARRIS,TYASHA
TURNOVER by MONK,MALICA	03:07			
	02:47	37-10	H 27	GOOD! JUMPER by WILSON,A'JA
	02:47			ASSIST by HARRIS,TYASHA

VISITORS: Arkansas	Time	Score	Margin	HOME: #9/7 South Carolina
MISSED JUMPER by MONK,MALICA	02:30			
	02:30			REBOUND (DEF) by HARRIS, TYASHA
	02:19			MISSED JUMPER by JACKSON, BIANCA
	02:19			REBOUND (OFF) by CLINEY, DONIYAH
	02:15			MISSED JUMPER by WILSON, A'JA
REBOUND (DEF) by THOMAS, TAYLAH	02:15			
MISSED JUMPER by MONK, MALICA	01:51			
	01:51			REBOUND (DEF) by WILSON, A'JA
	01:43	39-10	H 29	GOOD! LAYUP by WILSON, A'JA [FB/PNT]
FOUL by WILLIAMS, KIARA	01:43			
	01:43	40-10	H 30	GOOD! FT by WILSON, A'JA
SUB IN: STOUT, SYDNEY	01:43			
SUB IN: SPANGLER, GRAYCE	01:43			
SUB IN: WEAVER, MACY	01:43			
SUB IN: NORTHCROSS-BAKER, RA	01:43			
SUB OUT: THOMAS, TAYLAH	01:43			
SUB OUT: WILLIAMS, KIARA	01:43			
SUB OUT: ZIMMERMAN, BAILEY	01:43			
SUB OUT: MASON, JAILYN	01:43			
MISSED LAYUP by MONK, MALICA	01:34			
	01:34			REBOUND (DEF) by HARRIS, TYASHA
	01:28			MISSED LAYUP by HARRIS, TYASHA
	01:28			REBOUND (OFF) by WILLIAMS, LADAZHIA
	01:12			MISSED JUMPER by WILSON, A'JA
	01:12			REBOUND (OFF) by WILSON, A'JA
	01:08			TURNOVER by WILSON, A'JA
STEAL by STOUT, SYDNEY	01:07			
GOOD! LAYUP by MONK, MALICA [FB/PNT]	01:04	40-12	H 28	
FOUL by STOUT, SYDNEY	00:58			
	00:52			MISSED JUMPER by JACKSON, BIANCA
	00:52			REBOUND (OFF) by WILLIAMS, LADAZHIA
	00:41	43-12	H 31	GOOD! 3PTR by JACKSON, BIANCA
	00:41			ASSIST by HARRIS, TYASHA
MISSED LAYUP by NORTHCROSS-BAKER, RA	00:22			
REBOUND (OFF) by WEAVER, MACY	00:22			
	00:21			FOUL by JACKSON, BIANCA
SUB IN: MASON, JAILYN	00:21			
SUB OUT: MONK, MALICA	00:21			
	00:21			SUB IN: GRISSETT, LELE
	00:21			SUB OUT: WILSON, A'JA
MISSED JUMPER by MASON, JAILYN	00:14			
	00:14			REBOUND (DEF) by HARRIS, TYASHA
FOUL by SPANGLER, GRAYCE	00:11			
	00:11			MISSED FT by JACKSON, BIANCA
	00:11			REBOUND (DEADB) by TEAM
	00:11	44-12	H 32	GOOD! FT by JACKSON, BIANCA
	00:11			SUB IN: PATRICK, VICTORIA
	00:11			SUB OUT: HARRIS, TYASHA
MISSED 3PTR by MASON, JAILYN	00:03			
	00:03			REBOUND (DEF) by GRISSETT, LELE

Arkansas 12, #9/7 South Carolina 44

Period 2-only	In Paint	Off T/O	2nd Chance	Fast Break	Bench	
AR	6	4	2	2	0	Score tied - 0 times
SC	4	7	5	2	5	Lead changed - 0 times

Official Basketball Box Score -- Game Totals -- Second Half Statistics
Arkansas vs #9/7 South Carolina
1/25/2018 6:30 p.m. at Columbia, S.C./Colonial Life Arena

Arkansas 30 • 11-9, 2-5

##	Player		Total		3-Ptr	Rebounds			PF	TP	A	TO	Blk	Stl	Min
			FG-FGA	FG-FGA	FT-FTA	Off	Def	Tot							
03	MONK,MALICA	g	4-11	0-0	0-0	2	0	2	1	8	0	0	0	1	12
10	WILLIAMS,KIARA	f	0-0	0-0	0-0	0	1	1	1	0	0	0	0	0	2
14	MASON,JAILYN	g	2-4	0-0	0-0	1	1	2	2	4	1	0	1	0	13
21	COSPER,DEVIN	g	1-4	1-3	0-2	0	1	1	0	3	2	0	0	0	13
22	ZIMMERMAN,BAILEY	f	0-2	0-2	0-0	1	0	1	0	0	1	1	0	0	6
01	NORTHCROSS-BAKER,RA		0-0	0-0	0-0	0	0	0	3	0	0	0	0	0	6
04	SWENSON,KEIRYN		1-5	1-3	3-5	1	3	4	1	6	0	0	1	0	12
12	MCCLURE,BRENNA		0-1	0-0	0-0	0	0	0	0	0	0	1	0	0	2
13	SPANGLER,GRAYCE		0-1	0-0	0-0	0	0	0	2	0	0	1	0	1	7
20	STOUT,SYDNEY		0-0	0-0	0-0	0	0	0	1	0	1	1	0	1	7
24	THOMAS,TAYLAH		1-2	0-0	0-0	2	3	5	2	2	0	1	0	0	11
30	WEAVER,MACY		3-4	0-0	1-3	1	0	1	3	7	0	2	1	0	9
TEAM						3	1	4	0		0				
Totals			12-34	2-8	4-10	11	10	21	16	30	5	7	3	3	100

FG %	3rd Qtr	9-22	40.9%	4th Qtr	3-12	25.0%	Half:	12-34	35.3%
3FG %	3rd Qtr	2-6	33.3%	4th Qtr	0-2	00.0%	Half:	2-8	00.0%
FT %	3rd Qtr	0-0	0%	4th Qtr	4-10	40.0%	Half:	4-10	40.0%

#9/7 South Carolina 46 • 16-3, 5-2

##	Player		Total		3-Ptr	Rebounds			PF	TP	A	TO	Blk	Stl	Min
			FG-FGA	FG-FGA	FT-FTA	Off	Def	Tot							
04	CLINEY,DONIYAH	g	1-3	0-1	3-3	0	2	2	1	5	3	0	0	0	16
10	JACKSON,BIANCA	g	1-5	0-3	3-3	1	0	1	1	5	1	1	0	1	16
22	WILSON,A'JA	f	4-8	0-0	3-4	4	2	6	2	11	1	0	2	0	11
35	JENNINGS,ALEXIS	f	6-6	0-0	4-6	1	4	5	0	16	0	0	1	1	10
52	HARRIS,TYASHA	g	0-1	0-1	1-2	3	1	4	1	1	1	2	0	1	12
00	PATRICK,VICTORIA		0-6	0-4	1-2	1	0	1	0	1	0	1	0	1	13
23	WILLIAMS,LADAZHIA		1-4	0-0	0-0	1	0	1	2	2	0	0	1	0	10
24	GRISSETT,LELE		1-4	0-0	3-5	3	2	5	2	5	2	1	0	2	12
TEAM						3	2	5	0		0				
Totals			14-37	0-9	18-25	17	13	30	9	46	8	5	4	6	100

FG %	3rd Qtr	9-21	42.9%	4th Qtr	5-16	31.3%	Half:	14-37	37.8%
3FG %	3rd Qtr	0-6	00.0%	4th Qtr	0-3	00.0%	Half:	0-9	36.4%
FT %	3rd Qtr	9-12	75.0%	4th Qtr	9-13	69.2%	Half:	18-25	72.0%

Officials: Jesse Dickerson, Roy Gulbeyan, Ed Sidlasky
 Technical Fouls: Arkansas- None. #9/7 South Carolina- None.

Score by periods	1st	2nd	3rd	4th	Total
Arkansas	6	6	20	10	42
#9/7 South Carolina	25	19	27	19	90

Points	In Paint	Off T/O	2nd Chance	Fast Break	Bench
AR	18	5	7	5	15
	22	8	15	2	8

Last FG - AR 4th-02:21, SC 4th-02:38.
 AR led for 0:00. SC led for 20:00. Game was tied for 0:00.

Score tied - 0 times
 Lead changed - 0 times

Arkansas vs #9/7 South Carolina
1/25/2018; 6:30 p.m. at Columbia, S.C./Colonial Life Arena
Period 3 Play-By-Play

VISITORS: Arkansas	Time	Score	Margin	HOME: #9/7 South Carolina
MISSED LAYUP by MONK,MALICA	09:53			
REBOUND (OFF) by MONK,MALICA	09:53			
MISSED JUMPER by MASON,JAILYN	09:49			
	09:49			REBOUND (DEF) by WILSON,A'JA
	09:30	46-12	H 34	GOOD! JUMPER by JENNINGS,ALEXIS
	09:30			ASSIST by JACKSON,BIANCA
TURNOVER by ZIMMERMAN,BAILEY	09:11			
	09:10			STEAL by HARRIS,TYASHA
	09:08			MISSED LAYUP by CLINEY,DONIYAH
BLOCK by MASON,JAILYN	09:08			
	09:08			REBOUND (OFF) by TEAM
	08:53			MISSED 3PTR by JACKSON,BIANCA
REBOUND (DEF) by WILLIAMS,KIARA	08:53			
MISSED 3PTR by COSPER,DEVIN	08:43			
	08:43			REBOUND (DEF) by JENNINGS,ALEXIS
	08:28			MISSED JUMPER by WILSON,A'JA
	08:28			REBOUND (OFF) by JENNINGS,ALEXIS
	08:23	48-12	H 36	GOOD! LAYUP by JENNINGS,ALEXIS [PNT]
MISSED 3PTR by COSPER,DEVIN	08:12			
	08:12			REBOUND (DEF) by HARRIS,TYASHA
	07:59			MISSED 3PTR by HARRIS,TYASHA
	07:59			REBOUND (OFF) by WILSON,A'JA
	07:51			MISSED LAYUP by JACKSON,BIANCA
	07:51			REBOUND (OFF) by WILSON,A'JA
	07:48			MISSED JUMPER by WILSON,A'JA
	07:48			REBOUND (OFF) by WILSON,A'JA
	07:47	50-12	H 38	GOOD! JUMPER by WILSON,A'JA [PNT]
FOUL by WILLIAMS,KIARA	07:47			
	07:47	51-12	H 39	GOOD! FT by WILSON,A'JA
SUB IN: THOMAS,TAYLAH	07:47			
SUB OUT: WILLIAMS,KIARA	07:47			
MISSED LAYUP by MONK,MALICA	07:38			
	07:38			BLOCK by JENNINGS,ALEXIS
REBOUND (OFF) by TEAM	07:38			
	07:35			FOUL by CLINEY,DONIYAH
MISSED JUMPER by MONK,MALICA	07:27			
	07:27			REBOUND (DEF) by CLINEY,DONIYAH
	07:20	53-12	H 41	GOOD! JUMPER by CLINEY,DONIYAH [FB]
FOUL by MASON,JAILYN	07:20			
	07:20	54-12	H 42	GOOD! FT by CLINEY,DONIYAH
MISSED 3PTR by ZIMMERMAN,BAILEY	07:10			
	07:10			REBOUND (DEF) by JENNINGS,ALEXIS
	06:58	56-12	H 44	GOOD! JUMPER by JENNINGS,ALEXIS [PNT]
	06:58			ASSIST by WILSON,A'JA
FOUL by THOMAS,TAYLAH	06:58			
	06:58	57-12	H 45	GOOD! FT by JENNINGS,ALEXIS
GOOD! LAYUP by MONK,MALICA [PNT]	06:46	57-14	H 43	
	06:39			TURNOVER by HARRIS,TYASHA
STEAL by MONK,MALICA	06:38			
GOOD! LAYUP by MONK,MALICA [FB/PNT]	06:34	57-16	H 41	
	06:19	59-16	H 43	GOOD! LAYUP by JENNINGS,ALEXIS [PNT]
	06:19			ASSIST by CLINEY,DONIYAH
MISSED LAYUP by MONK,MALICA	06:02			
	06:02			REBOUND (DEF) by WILSON,A'JA
FOUL by MONK,MALICA	05:43			
	05:43	60-16	H 44	GOOD! FT by JACKSON,BIANCA
	05:43	61-16	H 45	GOOD! FT by JACKSON,BIANCA
MISSED 3PTR by ZIMMERMAN,BAILEY	05:26			
REBOUND (OFF) by MONK,MALICA	05:26			
GOOD! LAYUP by MONK,MALICA [PNT]	05:22	61-18	H 43	
	05:07			MISSED 3PTR by CLINEY,DONIYAH
	05:07			REBOUND (OFF) by HARRIS,TYASHA
	04:50	63-18	H 45	GOOD! LAYUP by WILSON,A'JA [PNT]
	04:50			ASSIST by CLINEY,DONIYAH
GOOD! 3PTR by COSPER,DEVIN	04:31	63-21	H 42	
ASSIST by ZIMMERMAN,BAILEY	04:31			
FOUL by THOMAS,TAYLAH	04:10			
	04:10			TIMEOUT MEDIA
	04:10	64-21	H 43	GOOD! FT by JENNINGS,ALEXIS

VISITORS: Arkansas	Time	Score	Margin	HOME: #9/7 South Carolina
	04:10			MISSED FT by JENNINGS,ALEXIS
REBOUND (DEF) by SWENSON,KEIRYN	04:10			
SUB IN: SWENSON,KEIRYN	04:10			
SUB IN: WEAVER,MACY	04:10			
SUB OUT: THOMAS,TAYLAH	04:10			
SUB OUT: ZIMMERMAN,BAILEY	04:10			
	04:10			SUB IN: GRISSETT,LELE
	04:10			SUB IN: PATRICK,VICTORIA
	04:10			SUB OUT: CLINEY,DONIYAH
	04:10			SUB OUT: WILSON,A'JA
MISSED JUMPER by MONK,MALICA	03:58			
REBOUND (OFF) by TEAM	03:58			
GOOD! JUMPER by WEAVER,MACY [PNT]	03:40	64-23	H 41	
ASSIST by COSPER,DEVIN	03:40			
	03:15			MISSED JUMPER by GRISSETT,LELE
	03:15			REBOUND (OFF) by GRISSETT,LELE
FOUL by MASON,JAILYN	03:10			
	03:10	65-23	H 42	GOOD! FT by GRISSETT,LELE
	03:10			MISSED FT by GRISSETT,LELE
REBOUND (DEF) by COSPER,DEVIN	03:10			
SUB IN: NORTHCROSS-BAKER,RA	03:10			
SUB OUT: MONK,MALICA	03:10			
MISSED LAYUP by COSPER,DEVIN	03:01			
	03:01			REBOUND (DEF) by JENNINGS,ALEXIS
	02:38			MISSED 3PTR by PATRICK,VICTORIA
REBOUND (DEF) by TEAM	02:38			
MISSED LAYUP by WEAVER,MACY	02:22			
	02:22			REBOUND (DEF) by JENNINGS,ALEXIS
	02:03			MISSED 3PTR by JACKSON,BIANCA
	02:03			REBOUND (OFF) by HARRIS,TYASHA
	01:57	67-23	H 44	GOOD! LAYUP by JENNINGS,ALEXIS [PNT]
	01:57			ASSIST by HARRIS,TYASHA
GOOD! 3PTR by SWENSON,KEIRYN [FB]	01:50	67-26	H 41	
ASSIST by MASON,JAILYN	01:50			
	01:31	69-26	H 43	GOOD! LAYUP by JACKSON,BIANCA [PNT]
	01:31			ASSIST by GRISSETT,LELE
FOUL by SWENSON,KEIRYN	01:31			
	01:31	70-26	H 44	GOOD! FT by JACKSON,BIANCA
SUB IN: STOUT,SYDNEY	01:31			
SUB OUT: COSPER,DEVIN	01:31			
	01:31			SUB IN: WILSON,A'JA
	01:31			SUB IN: WILLIAMS,LADAZHIA
	01:31			SUB OUT: JACKSON,BIANCA
	01:31			SUB OUT: JENNINGS,ALEXIS
GOOD! JUMPER by MASON,JAILYN	01:22	70-28	H 42	
	01:02			MISSED JUMPER by PATRICK,VICTORIA
REBOUND (DEADB) by TEAM	01:02			
	01:00			FOUL by GRISSETT,LELE
GOOD! JUMPER by WEAVER,MACY [PNT]	00:47	70-30	H 40	
ASSIST by STOUT,SYDNEY	00:47			
	00:30			MISSED 3PTR by PATRICK,VICTORIA
	00:30			REBOUND (OFF) by HARRIS,TYASHA
FOUL by STOUT,SYDNEY	00:27			
	00:27	71-30	H 41	GOOD! FT by HARRIS,TYASHA
	00:27			MISSED FT by HARRIS,TYASHA
REBOUND (DEF) by SWENSON,KEIRYN	00:27			
MISSED JUMPER by MASON,JAILYN	00:09			
REBOUND (OFF) by MASON,JAILYN	00:09			
GOOD! JUMPER by MASON,JAILYN [PNT]	00:05	71-32	H 39	
	00:01			TURNOVER by HARRIS,TYASHA
	00:01			FOUL by HARRIS,TYASHA
	00:01			SUB IN: CLINEY,DONIYAH
	00:01			SUB OUT: HARRIS,TYASHA

Arkansas 32, #9/7 South Carolina 71

Period 3-only	In Paint	Off T/O	2nd Chance	Fast Break	Bench	
AR	12	2	6	5	7	Score tied - 0 times
SC	14	0	11	2	1	Lead changed - 0 times

Arkansas vs #9/7 South Carolina
1/25/2018; 6:30 p.m. at Columbia, S.C./Colonial Life Arena
Period 4 Play-By-Play

VISITORS: Arkansas	Time	Score	Margin	HOME: #9/7 South Carolina
SUB IN: STOUT,SYDNEY	10:00			
SUB IN: NORTHCROSS-BAKER,RA	10:00			
SUB IN: WEAVER,MACY	10:00			
SUB IN: SWENSON,KEIRYN	10:00			
SUB OUT: MONK,MALICA	10:00			
SUB OUT: WILLIAMS,KIARA	10:00			
SUB OUT: COSPER,DEVIN	10:00			
SUB OUT: ZIMMERMAN,BAILEY	10:00			
	10:00			SUB IN: WILLIAMS,LADAZHIA
	10:00			SUB IN: GRISSETT,LELE
	10:00			SUB IN: PATRICK,VICTORIA
	10:00			SUB OUT: JACKSON,BIANCA
	10:00			SUB OUT: JENNINGS,ALEXIS
	10:00			SUB OUT: HARRIS,TYASHA
	09:39			TURNOVER by GRISSETT,LELE
	09:39			FOUL by GRISSETT,LELE
GOOD! JUMPER by WEAVER,MACY [PNT]	09:18	71-34	H 37	
	09:18			FOUL by WILLIAMS,LADAZHIA
GOOD! FT by WEAVER,MACY	09:18	71-35	H 36	
FOUL by NORTHCROSS-BAKER,RA	09:02			
	08:55			MISSED JUMPER by WILSON,A'JA
	08:55			REBOUND (OFF) by GRISSETT,LELE
	08:54	73-35	H 38	GOOD! LAYUP by GRISSETT,LELE [PNT]
FOUL by NORTHCROSS-BAKER,RA	08:54			
	08:54			MISSED FT by GRISSETT,LELE
REBOUND (DEF) by MASON,JAILYN	08:54			
TURNOVER by STOUT,SYDNEY	08:39			
	08:20			MISSED JUMPER by WILLIAMS,LADAZHIA
	08:20			REBOUND (OFF) by WILSON,A'JA
	08:17	75-35	H 40	GOOD! LAYUP by WILSON,A'JA [PNT]
MISSED 3PTR by SWENSON,KEIRYN	08:05			
	08:05			REBOUND (DEF) by GRISSETT,LELE
FOUL by NORTHCROSS-BAKER,RA	07:38			
	07:38			MISSED FT by WILSON,A'JA
	07:38			REBOUND (DEADB) by TEAM
	07:38	76-35	H 41	GOOD! FT by WILSON,A'JA
	07:38	77-35	H 42	GOOD! FT by WILSON,A'JA
SUB IN: COSPER,DEVIN	07:38			
SUB OUT: NORTHCROSS-BAKER,RA	07:38			
	07:38			SUB IN: JENNINGS,ALEXIS
	07:38			SUB IN: JACKSON,BIANCA
	07:38			SUB IN: HARRIS,TYASHA
	07:38			SUB OUT: WILLIAMS,LADAZHIA
	07:38			SUB OUT: GRISSETT,LELE
	07:38			SUB OUT: PATRICK,VICTORIA
TURNOVER by WEAVER,MACY	07:30			
	07:28			STEAL by JENNINGS,ALEXIS
FOUL by WEAVER,MACY	07:27			
	07:27			MISSED FT by JENNINGS,ALEXIS
	07:27			REBOUND (DEADB) by TEAM
	07:27	78-35	H 43	GOOD! FT by JENNINGS,ALEXIS
SUB IN: THOMAS,TAYLAH	07:27			
SUB IN: SPANGLER,GRAYCE	07:27			
SUB IN: MONK,MALICA	07:27			
SUB OUT: STOUT,SYDNEY	07:27			
SUB OUT: MASON,JAILYN	07:27			
SUB OUT: WEAVER,MACY	07:27			
GOOD! LAYUP by MONK,MALICA [PNT]	07:16	78-37	H 41	
	07:01	80-37	H 43	GOOD! JUMPER by WILSON,A'JA [PNT]
	07:01			ASSIST by CLINEY,DONIYAH
	06:43			FOUL by WILSON,A'JA
MISSED FT by SWENSON,KEIRYN	06:43			
REBOUND (DEADB) by TEAM	06:43			
GOOD! FT by SWENSON,KEIRYN	06:43	80-38	H 42	
GOOD! FT by SWENSON,KEIRYN	06:43	80-39	H 41	
	06:25			MISSED JUMPER by WILSON,A'JA
	06:25			REBOUND (OFF) by TEAM
	06:15			MISSED 3PTR by JACKSON,BIANCA
REBOUND (DEF) by THOMAS,TAYLAH	06:15			

VISITORS: Arkansas	Time	Score	Margin	HOME: #9/7 South Carolina
MISSED 3PTR by SWENSON,KEIRYN	06:05			
REBOUND (OFF) by SWENSON,KEIRYN	06:05			
MISSED LAYUP by SWENSON,KEIRYN	05:58			
	05:58			BLOCK by WILSON,A'JA
REBOUND (OFF) by ZIMMERMAN,BAILEY	05:54			
MISSED LAYUP by SWENSON,KEIRYN	05:46			
	05:46			BLOCK by WILSON,A'JA
REBOUND (OFF) by THOMAS,TAYLAH	05:45			
	05:41			FOUL by WILSON,A'JA
MISSED FT by SWENSON,KEIRYN	05:41			
REBOUND (DEADB) by TEAM	05:41			
GOOD! FT by SWENSON,KEIRYN	05:41	80-40	H 40	
	05:31	82-40	H 42	GOOD! JUMPER by JENNINGS,ALEXIS
FOUL by SPANGLER,GRAYCE	05:31			
	05:31	83-40	H 43	GOOD! FT by JENNINGS,ALEXIS
	05:31			SUB IN: GRISSETT,LELE
	05:31			SUB IN: WILLIAMS,LADAZHIA
	05:31			SUB IN: PATRICK,VICTORIA
	05:31			SUB OUT: JENNINGS,ALEXIS
	05:31			SUB OUT: WILSON,A'JA
	05:31			SUB OUT: HARRIS,TYASHA
TURNOVER by SPANGLER,GRAYCE	05:17			
STEAL by SPANGLER,GRAYCE	05:15			
	05:15			STEAL by JACKSON,BIANCA
	05:15			TURNOVER by JACKSON,BIANCA
MISSED JUMPER by MONK,MALICA	05:03			
REBOUND (OFF) by THOMAS,TAYLAH	05:03			
TURNOVER by THOMAS,TAYLAH	04:57			
	04:56			STEAL by GRISSETT,LELE
FOUL by SPANGLER,GRAYCE	04:50			
	04:50			TIMEOUT media
	04:50	84-40	H 44	GOOD! FT by CLINEY,DONIYAH
	04:50	85-40	H 45	GOOD! FT by CLINEY,DONIYAH
	04:47			FOUL by JACKSON,BIANCA
MISSED FT by COSPER,DEVIN	04:47			
REBOUND (DEADB) by TEAM	04:47			
MISSED FT by COSPER,DEVIN	04:47			
	04:47			REBOUND (DEF) by TEAM
	04:20			MISSED JUMPER by GRISSETT,LELE
	04:20			REBOUND (OFF) by WILLIAMS,LADAZHIA
	04:04			MISSED JUMPER by WILLIAMS,LADAZHIA
	04:04			REBOUND (OFF) by GRISSETT,LELE
	03:41			MISSED 3PTR by PATRICK,VICTORIA
	03:41			REBOUND (OFF) by PATRICK,VICTORIA
	03:21			MISSED 3PTR by PATRICK,VICTORIA
	03:21			REBOUND (OFF) by JACKSON,BIANCA
	03:11			MISSED LAYUP by PATRICK,VICTORIA
BLOCK by SWENSON,KEIRYN	03:11			
REBOUND (DEF) by SWENSON,KEIRYN	03:08			
MISSED LAYUP by MONK,MALICA	03:05			
	03:05			REBOUND (DEF) by CLINEY,DONIYAH
	02:38	87-40	H 47	GOOD! LAYUP by WILLIAMS,LADAZHIA [PNT]
	02:38			ASSIST by GRISSETT,LELE
GOOD! LAYUP by THOMAS,TAYLAH [PNT]	02:21	87-42	H 45	
ASSIST by COSPER,DEVIN	02:21			
TIMEOUT 30SEC	02:19			
SUB IN: STOUT,SYDNEY	02:19			
SUB IN: WEAVER,MACY	02:19			
SUB OUT: SWENSON,KEIRYN	02:19			
SUB OUT: COSPER,DEVIN	02:19			
	02:02			MISSED JUMPER by GRISSETT,LELE
	02:02			REBOUND (OFF) by TEAM
SUB IN: MCCLURE,BRENNA	01:58			
SUB OUT: MONK,MALICA	01:58			
	01:51			TURNOVER by PATRICK,VICTORIA
STEAL by STOUT,SYDNEY	01:50			
TURNOVER by MCCLURE,BRENNA	01:38			
	01:37			STEAL by PATRICK,VICTORIA
FOUL by WEAVER,MACY	01:34			
	01:34	88-42	H 46	GOOD! FT by PATRICK,VICTORIA
	01:34			MISSED FT by PATRICK,VICTORIA
REBOUND (DEF) by THOMAS,TAYLAH	01:34			
MISSED LAYUP by MCCLURE,BRENNA	01:24			
	01:24			BLOCK by WILLIAMS,LADAZHIA
REBOUND (OFF) by TEAM	01:24			

VISITORS: Arkansas	Time	Score	Margin	HOME: #9/7 South Carolina
MISSED JUMPER by THOMAS,TAYLAH	01:03			
REBOUND (OFF) by WEAVER,MACY	01:03			
	01:01			FOUL by WILLIAMS,LADAZHIA
MISSED FT by WEAVER,MACY	01:01			
REBOUND (DEADB) by TEAM	01:01			
MISSED FT by WEAVER,MACY	01:01			
	01:01			REBOUND (DEF) by GRISSETT,LELE
	00:44			MISSED LAYUP by WILLIAMS,LADAZHIA
BLOCK by WEAVER,MACY	00:44			
REBOUND (DEF) by THOMAS,TAYLAH	00:42			
TURNOVER by WEAVER,MACY	00:29			
	00:28			STEAL by GRISSETT,LELE
FOUL by WEAVER,MACY	00:25			
	00:25	89-42	H 47	GOOD! FT by GRISSETT,LELE
	00:25	90-42	H 48	GOOD! FT by GRISSETT,LELE
MISSED JUMPER by SPANGLER,GRAYCE	00:06			
	00:06			REBOUND (DEF) by TEAM

Arkansas 42, #9/7 South Carolina 90

Period 4-only	In Paint	Off T/O	2nd Chance	Fast Break	Bench	
AR	6	3	1	0	8	Score tied - 0 times
SC	8	8	4	0	7	Lead changed - 0 times

Arkansas vs #9/7 South Carolina
1/25/2018; 6:30 p.m. at Columbia, S.C./Colonial Life Arena
Scoring/Runs Reference

Period 1

Arkansas	VRun	Score	Margin	HRun	#9/7 South Carolina
		0-2	2		JENNINGS LAYUP [P] - 09:49
		0-4	4	NaN-0	WILSON LAYUP [P] - 09:19
08:48 - MASON JUMPER [P]	-	2-4	2		
		2-6	4		WILSON LAYUP [P] - 07:38
		2-8	6	4-0	JACKSON LAYUP [P] - 06:50
06:42 - MONK LAYUP [P] [F]	-	4-8	4		
		4-10	6		JACKSON JUMPER [P] - 06:00
		4-12	8	4-0	JENNINGS LAYUP [P] - 05:20
		4-14	10	6-0	JENNINGS LAYUP [P] - 04:56
		4-16	12	8-0	WILSON LAYUP [P] [F] - 04:32
		4-17	13	9-0	WILSON FT - 04:32
04:11 - MASON JUMPER	-	6-17	11		
		6-20	14		JACKSON 3PTR - 03:50
		6-22	16	5-0	CLINEY JUMPER - 02:53
		6-24	18	7-0	WILSON LAYUP [P] - 01:43
		6-25	19	8-0	HARRIS FT - 01:01

Arkansas vs #9/7 South Carolina
1/25/2018; 6:30 p.m. at Columbia, S.C./Colonial Life Arena
Scoring/Runs Reference

Period 2

Arkansas	VRun	Score	Margin	HRun	#9/7 South Carolina
		6-28	22		HARRIS 3PTR - 09:10
07:29 - MASON JUMPER [P]	-	8-28	20		
		8-31	23		PATRICK 3PTR - 07:00
		8-33	25	5-0	WILSON LAYUP [P] - 04:46
03:50 - ZIMMERMAN JUMPER [P]	-	10-33	23		
		10-35	25		WILLIAMS JUMPER - 03:23
		10-37	27	4-0	WILSON JUMPER - 02:47
		10-39	29	6-0	WILSON LAYUP [P] [F] - 01:43
		10-40	30	7-0	WILSON FT - 01:43
01:04 - MONK LAYUP [P] [F]	-	12-40	28		
		12-43	31		JACKSON 3PTR - 00:41
		12-44	32	4-0	JACKSON FT - 00:11

Arkansas vs #9/7 South Carolina
1/25/2018; 6:30 p.m. at Columbia, S.C./Colonial Life Arena
Scoring/Runs Reference

Period 3

Arkansas	VRun	Score	Margin	HRun	#9/7 South Carolina
		12-46	34		JENNINGS JUMPER - 09:30
		12-48	36	NaN-0	JENNINGS LAYUP [P] - 08:23
		12-50	38	NaN-0	WILSON JUMPER [P] - 07:47
		12-51	39	NaN-0	WILSON FT - 07:47
		12-53	41	NaN-0	CLINEY JUMPER [F] - 07:20
		12-54	42	NaN-0	CLINEY FT - 07:20
		12-56	44	NaN-0	JENNINGS JUMPER [P] - 06:58
		12-57	45	NaN-0	JENNINGS FT - 06:58
06:46 - MONK LAYUP [P]	-	14-57	43		
06:34 - MONK LAYUP [P] [F]	4-0	16-57	41		
		16-59	43		JENNINGS LAYUP [P] - 06:19
		16-60	44	3-0	JACKSON FT - 05:43
		16-61	45	4-0	JACKSON FT - 05:43
05:22 - MONK LAYUP [P]	-	18-61	43		
		18-63	45		WILSON LAYUP [P] - 04:50
04:31 - COSPER 3PTR	-	21-63	42		
		21-64	43		JENNINGS FT - 04:10
03:40 - WEAVER JUMPER [P]	-	23-64	41		
		23-65	42		GRISSETT FT - 03:10
		23-67	44	3-0	JENNINGS LAYUP [P] - 01:57
01:50 - SWENSON 3PTR [F]	-	26-67	41		
		26-69	43		JACKSON LAYUP [P] - 01:31
		26-70	44	3-0	JACKSON FT - 01:31
01:22 - MASON JUMPER	-	28-70	42		
00:47 - WEAVER JUMPER [P]	4-0	30-70	40		
		30-71	41		HARRIS FT - 00:27
00:05 - MASON JUMPER [P]	-	32-71	39		

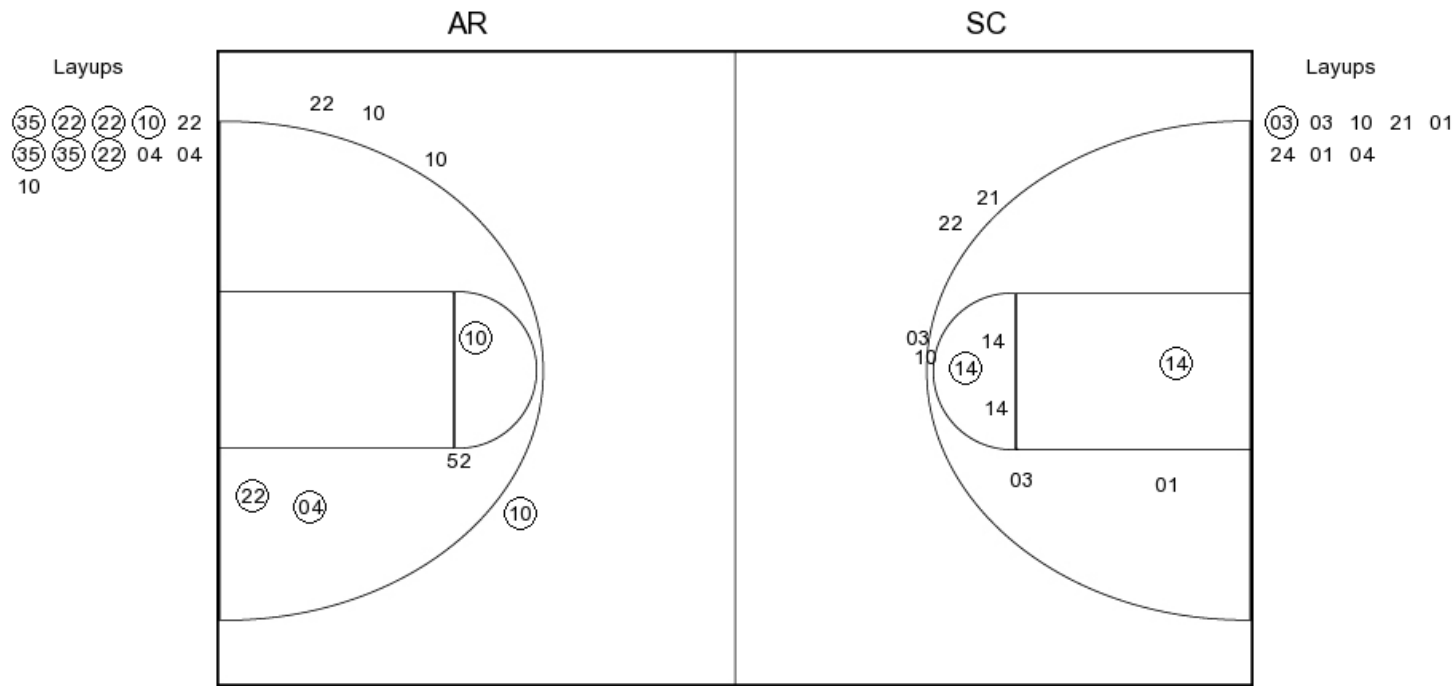
Arkansas vs #9/7 South Carolina
1/25/2018; 6:30 p.m. at Columbia, S.C./Colonial Life Arena
Scoring/Runs Reference

Period 4

Arkansas	VRun	Score	Margin	HRun	#9/7 South Carolina
09:18 - WEAVER JUMPER [P]	-	34-71	37		
09:18 - WEAVER FT	NaN-0	35-71	36		
		35-73	38		GRISSETT LAYUP [P] - 08:54
		35-75	40	4-0	WILSON LAYUP [P] - 08:17
		35-76	41	5-0	WILSON FT - 07:38
		35-77	42	6-0	WILSON FT - 07:38
		35-78	43	7-0	JENNINGS FT - 07:27
07:16 - MONK LAYUP [P]	-	37-78	41		
		37-80	43		WILSON JUMPER [P] - 07:01
06:43 - SWENSON FT	-	38-80	42		
06:43 - SWENSON FT	2-0	39-80	41		
05:41 - SWENSON FT	3-0	40-80	40		
		40-82	42		JENNINGS JUMPER - 05:31
		40-83	43	3-0	JENNINGS FT - 05:31
		40-84	44	4-0	CLINEY FT - 04:50
		40-85	45	5-0	CLINEY FT - 04:50
		40-87	47	7-0	WILLIAMS LAYUP [P] - 02:38
02:21 - THOMAS LAYUP [P]	-	42-87	45		
		42-88	46		PATRICK FT - 01:34
		42-89	47	2-0	GRISSETT FT - 00:25
		42-90	48	3-0	GRISSETT FT - 00:25

Arkansas vs #9/7 South Carolina
 OFFICIAL SHOT CHART
 1/25/2018 at Columbia, S.C./Colonial Life Arena

PERIOD 1



AR PERIOD 1

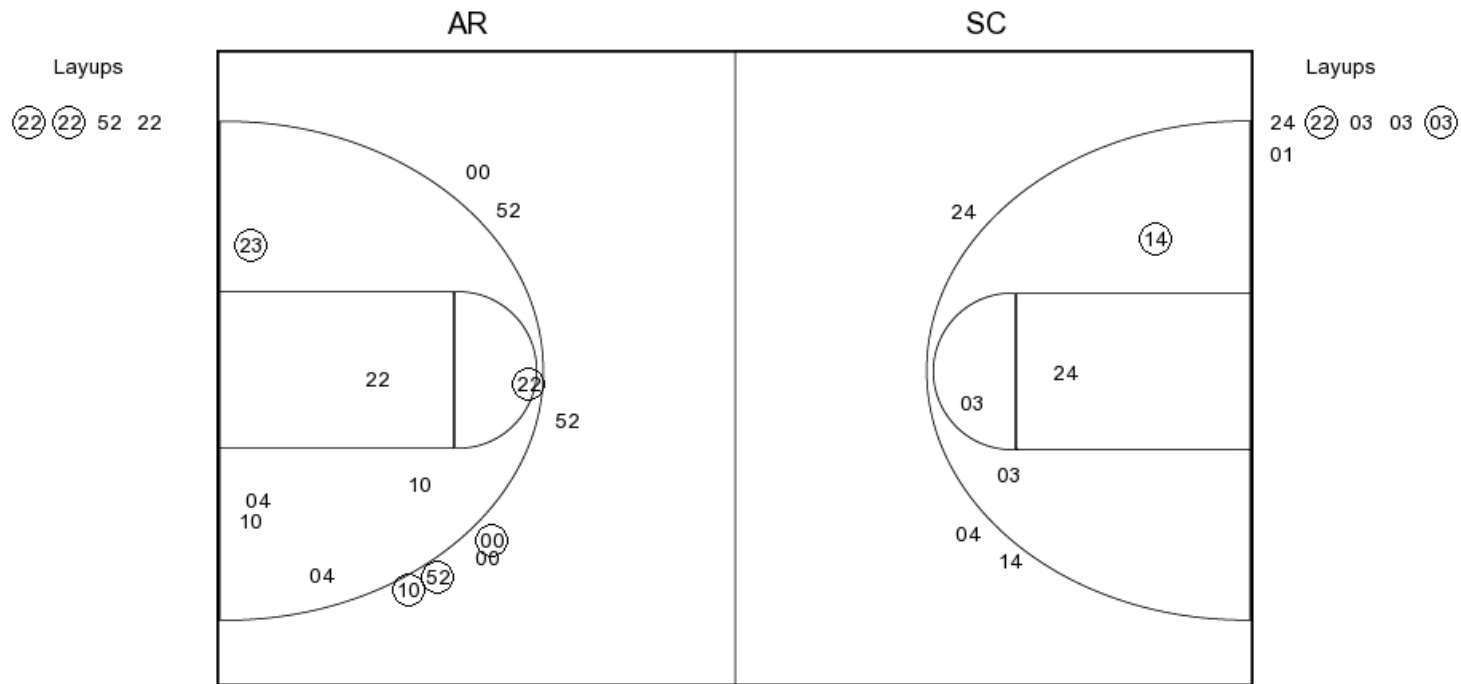
FG Made	6
FG Attempted	33
3PFG Made	0
3PFG Attempted	8

SC PERIOD 1

FG Made	18
FG Attempted	38
3PFG Made	4
3PFG Attempted	11

Arkansas vs #9/7 South Carolina
 OFFICIAL SHOT CHART
 1/25/2018 at Columbia, S.C./Colonial Life Arena

PERIOD 2



AR PERIOD 2

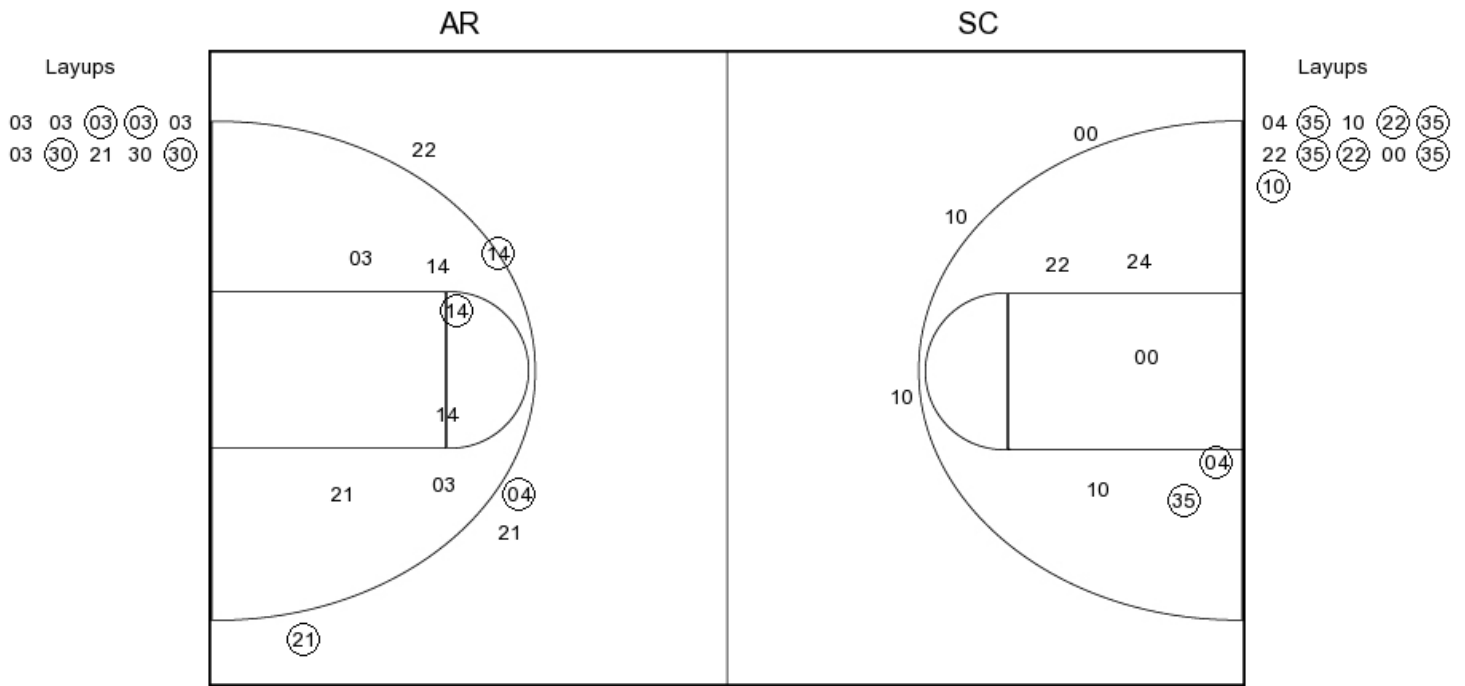
FG Made
 FG Attempted
 3PFG Made
 3PFG Attempted

SC PERIOD 2

FG Made
 FG Attempted
 3PFG Made
 3PFG Attempted

Arkansas vs #9/7 South Carolina
 OFFICIAL SHOT CHART
 1/25/2018 at Columbia, S.C./Colonial Life Arena

PERIOD 3



AR PERIOD 3

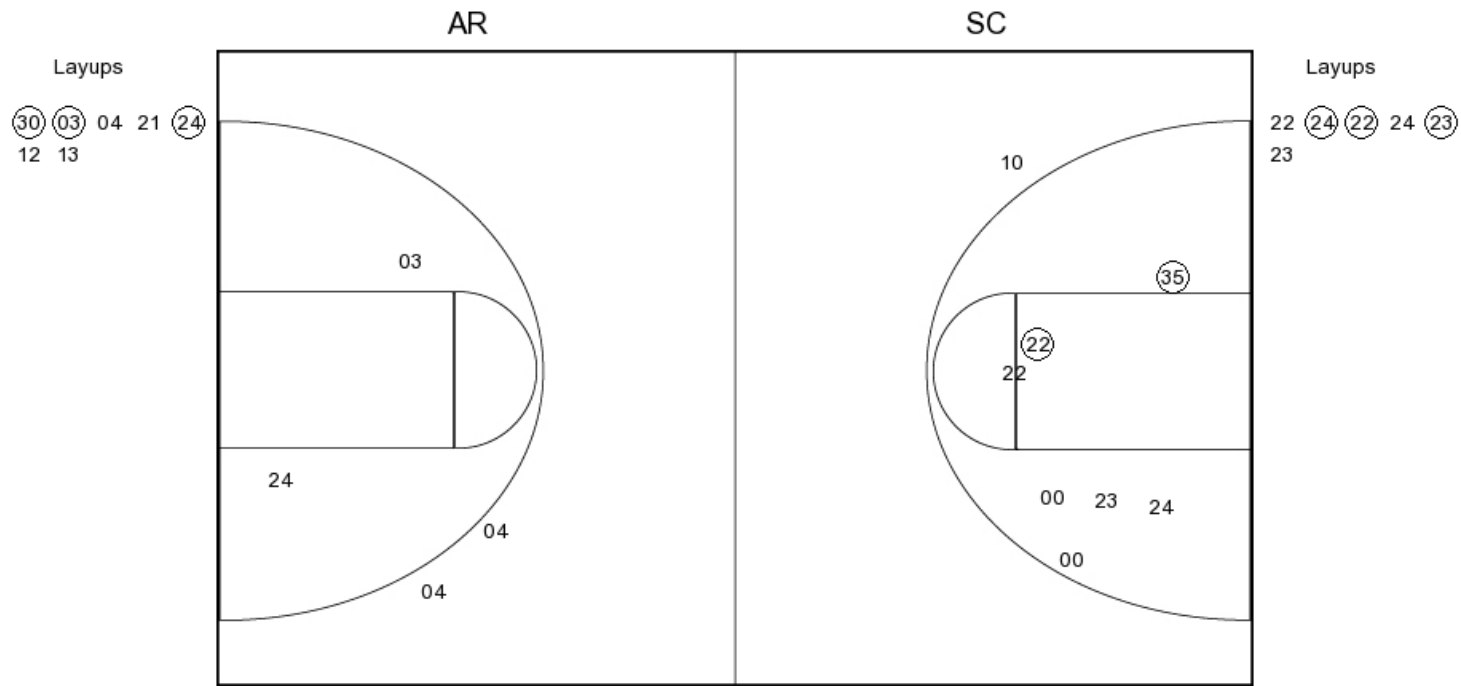
FG Made	12
FG Attempted	34
3PFG Made	2
3PFG Attempted	8

SC PERIOD 3

FG Made	14
FG Attempted	37
3PFG Made	0
3PFG Attempted	9

Arkansas vs #9/7 South Carolina
 OFFICIAL SHOT CHART
 1/25/2018 at Columbia, S.C./Colonial Life Arena

PERIOD 4



AR PERIOD 4

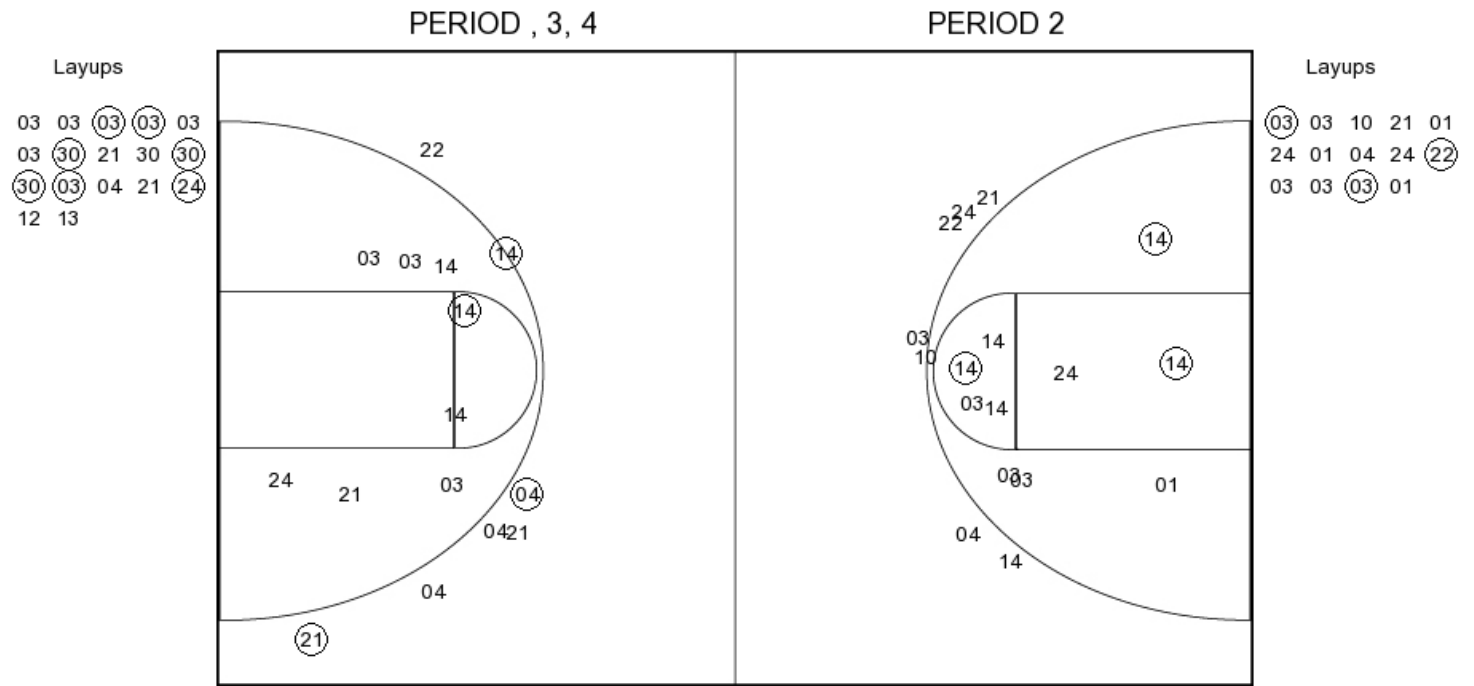
FG Made
 FG Attempted
 3PFG Made
 3PFG Attempted

SC PERIOD 4

FG Made
 FG Attempted
 3PFG Made
 3PFG Attempted

Arkansas vs #9/7 South Carolina
 OFFICIAL SHOT CHART
 1/25/2018 at Columbia, S.C./Colonial Life Arena

Arkansas



AR PERIOD 1

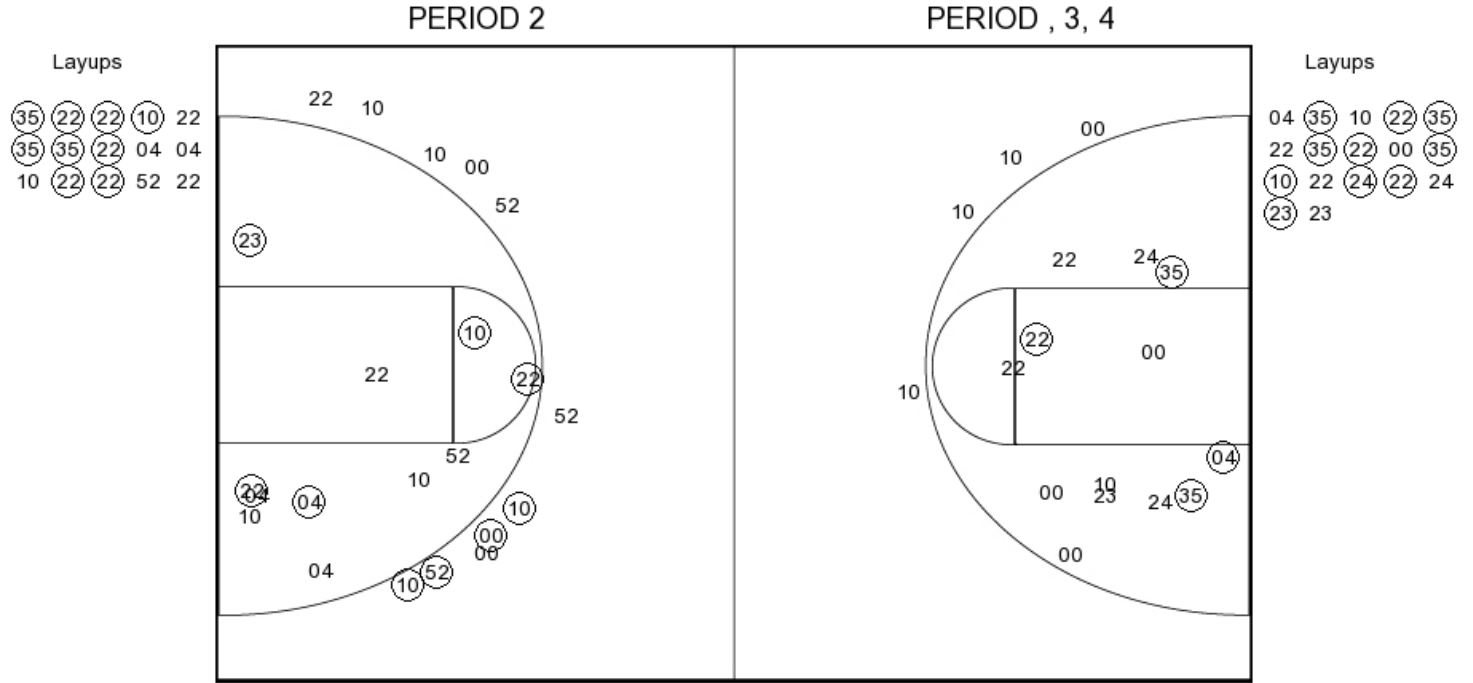
FG Made	6
FG Attempted	33
3PFG Made	0
3PFG Attempted	8

AR PERIOD 2

FG Made	
FG Attempted	
3PFG Made	
3PFG Attempted	

Arkansas vs #9/7 South Carolina
 OFFICIAL SHOT CHART
 1/25/2018 at Columbia, S.C./Colonial Life Arena

#9/7 South Carolina



SC PERIOD 1

FG Made	18
FG Attempted	38
3PFG Made	4
3PFG Attempted	11

SC PERIOD 2

FG Made	
FG Attempted	
3PFG Made	
3PFG Attempted	