

# ARKANSAS VS. SOUTH CAROLINA



2/5/2017  
Fayetteville, Ark. (Bud Walton Arena)

## FINAL STATS

**SC**

*(19-2, 9-1 SEC)*

**79**

**ARKANSAS**

*(13-9, 2-7 SEC)*

**49**

*Start Time: 1 p.m.*  
*Officials: Cameron Inouye, Douglas Knight, Laura C Morris*  
*Attendance: 1650*

Estimated Actual Attendance: 919

# Official Basketball Box Score -- Game Totals -- Final Statistics

## SC vs ARKANSAS

2/5/2017 1 p.m. at Fayetteville, Ark. (Bud Walton Arena)

### SC 79 - 19-2, 9-1 SEC

| ##     | Player             |   | Total  |              |        | Rebounds |     |     | PF | TP | A  | TO | Blk | Stl | Min |
|--------|--------------------|---|--------|--------------|--------|----------|-----|-----|----|----|----|----|-----|-----|-----|
|        |                    |   | FG-FGA | 3-Ptr FG-FGA | FT-FTA | Off      | Def | Tot |    |    |    |    |     |     |     |
| 03     | DAVIS,KAELA        | g | 4-11   | 2-6          | 0-0    | 0        | 3   | 3   | 2  | 10 | 2  | 1  | 0   | 1   | 27  |
| 10     | GRAY,ALLISHA       | g | 4-9    | 2-5          | 0-0    | 2        | 2   | 4   | 2  | 10 | 4  | 0  | 0   | 2   | 25  |
| 22     | WILSON,A'JA        | f | 5-9    | 0-0          | 8-9    | 1        | 0   | 1   | 3  | 18 | 0  | 2  | 1   | 0   | 23  |
| 41     | COATES,ALAINA      | c | 8-11   | 0-0          | 2-2    | 5        | 14  | 19  | 3  | 18 | 4  | 1  | 1   | 2   | 30  |
| 52     | HARRIS,TYASHA      | g | 1-2    | 0-0          | 2-2    | 0        | 1   | 1   | 0  | 4  | 5  | 0  | 0   | 1   | 20  |
| 00     | PATRICK,VICTORIA   |   | 1-1    | 1-1          | 0-0    | 0        | 0   | 0   | 0  | 3  | 0  | 0  | 0   | 0   | 5   |
| 01     | CUEVAS-MOORE,BIANC |   | 2-5    | 0-1          | 6-6    | 0        | 2   | 2   | 0  | 10 | 0  | 0  | 0   | 0   | 23  |
| 04     | CLINEY,DONIYAH     |   | 0-4    | 0-1          | 0-0    | 4        | 1   | 5   | 1  | 0  | 1  | 3  | 0   | 3   | 24  |
| 12     | BRADSHAW,ARAION    |   | 0-2    | 0-0          | 0-0    | 1        | 2   | 3   | 0  | 0  | 1  | 1  | 0   | 0   | 7   |
| 21     | HERBERT HARRIGAN,M |   | 3-4    | 0-0          | 0-1    | 2        | 4   | 6   | 2  | 6  | 0  | 3  | 2   | 1   | 17  |
| TEAM   |                    |   |        |              |        | 1        | 1   | 2   | 0  |    |    | 1  |     |     |     |
| TOTALS |                    |   | 28-58  | 5-14         | 18-20  | 16       | 30  | 46  | 13 | 79 | 17 | 12 | 4   | 10  | 201 |

Deadball Rebounds: 1,1

|       |                 |       |                 |        |               |        |              |       |  |  |  |  |  |
|-------|-----------------|-------|-----------------|--------|---------------|--------|--------------|-------|--|--|--|--|--|
| FG %  | 1st Half: 17-33 | 51.5% | 2nd Half: 11-25 | 44.0%  | Game: 28-58   | 48.3%  |              |       |  |  |  |  |  |
|       | 1st Qtr 8-16    | 50.0% | 2nd Qtr 9-17    | 52.9%  | 3rd Qtr 6-11  | 54.5%  | 4th Qtr 5-14 | 35.7% |  |  |  |  |  |
| 3FG % | 1st Half: 3-8   | 37.5% | 2nd Half: 2-6   | 33.3%  | Game: 5-14    | 35.7%  |              |       |  |  |  |  |  |
|       | 1st Qtr 2-4     | 50.0% | 2nd Qtr 1-4     | 25.0%  | 3rd Qtr 1-4   | 25.0%  | 4th Qtr 1-2  | 50.0% |  |  |  |  |  |
| FT %  | 1st Half: 6-7   | 85.7% | 2nd Half: 12-13 | 92.3%  | Game: 18-20   | 90.0%  |              |       |  |  |  |  |  |
|       | 1st Qtr 3-4     | 75.0% | 2nd Qtr 3-3     | 100.0% | 3rd Qtr 10-10 | 100.0% | 4th Qtr 2-3  | 66.7% |  |  |  |  |  |

### ARKANSAS 49 - 13-9, 2-7 SEC

| ##     | Player           |   | Total  |              |        | Rebounds |     |     | PF | TP | A  | TO | Blk | Stl | Min |
|--------|------------------|---|--------|--------------|--------|----------|-----|-----|----|----|----|----|-----|-----|-----|
|        |                  |   | FG-FGA | 3-Ptr FG-FGA | FT-FTA | Off      | Def | Tot |    |    |    |    |     |     |     |
| 00     | JACKSON,JESSICA  | f | 1-11   | 0-5          | 0-0    | 2        | 3   | 5   | 3  | 2  | 0  | 1  | 0   | 0   | 24  |
| 03     | MONK,MALICA      | g | 1-10   | 0-1          | 0-0    | 2        | 3   | 5   | 4  | 2  | 2  | 2  | 1   | 2   | 32  |
| 10     | WILLIAMS,KIARA   | f | 1-3    | 0-0          | 2-2    | 1        | 2   | 3   | 3  | 4  | 0  | 0  | 0   | 2   | 26  |
| 14     | MASON,JAILYN     | g | 1-7    | 1-4          | 0-0    | 0        | 1   | 1   | 1  | 3  | 4  | 2  | 0   | 0   | 19  |
| 22     | ZIMMERMAN,BAILEY | f | 1-4    | 1-4          | 4-4    | 0        | 2   | 2   | 1  | 7  | 0  | 0  | 0   | 0   | 22  |
| 02     | WILSON,AALIYAH   |   | 6-13   | 3-7          | 1-2    | 1        | 0   | 1   | 1  | 16 | 2  | 4  | 0   | 0   | 25  |
| 04     | SWENSON,KEIRYN   |   | 3-8    | 0-4          | 0-0    | 3        | 1   | 4   | 2  | 6  | 1  | 2  | 0   | 0   | 22  |
| 20     | STOUT,SYDNEY     |   | 0-0    | 0-0          | 0-0    | 0        | 0   | 0   | 0  | 0  | 0  | 0  | 0   | 0   | 2   |
| 21     | COSPER,DEVIN     |   | 1-5    | 1-4          | 0-0    | 1        | 1   | 2   | 1  | 3  | 1  | 1  | 0   | 0   | 13  |
| 35     | COOLEY,ALECIA    |   | 3-4    | 0-0          | 0-0    | 2        | 2   | 4   | 1  | 6  | 0  | 0  | 0   | 0   | 15  |
| TEAM   |                  |   |        |              |        | 3        | 0   | 3   | 0  |    |    | 1  |     |     |     |
| TOTALS |                  |   | 18-65  | 6-29         | 7-8    | 15       | 15  | 30  | 17 | 49 | 10 | 13 | 1   | 4   | 200 |

Deadball Rebounds: 2,0

|       |                 |       |                |        |              |        |              |        |  |  |  |  |  |
|-------|-----------------|-------|----------------|--------|--------------|--------|--------------|--------|--|--|--|--|--|
| FG %  | 1st Half: 11-37 | 29.7% | 2nd Half: 7-28 | 25.0%  | Game: 18-65  | 27.7%  |              |        |  |  |  |  |  |
|       | 1st Qtr 4-18    | 22.2% | 2nd Qtr 7-19   | 36.8%  | 3rd Qtr 2-12 | 16.7%  | 4th Qtr 5-16 | 31.3%  |  |  |  |  |  |
| 3FG % | 1st Half: 2-11  | 18.2% | 2nd Half: 4-18 | 22.2%  | Game: 6-29   | 20.7%  |              |        |  |  |  |  |  |
|       | 1st Qtr 2-7     | 28.6% | 2nd Qtr 0-4    | 00.0%  | 3rd Qtr 1-8  | 12.5%  | 4th Qtr 3-10 | 30.0%  |  |  |  |  |  |
| FT %  | 1st Half: 1-2   | 50.0% | 2nd Half: 6-6  | 100.0% | Game: 7-8    | 87.5%  |              |        |  |  |  |  |  |
|       | 1st Qtr 0-0     | 0%    | 2nd Qtr 1-2    | 50.0%  | 3rd Qtr 4-4  | 100.0% | 4th Qtr 2-2  | 100.0% |  |  |  |  |  |

Officials: Cameron Inouye, Douglas Knight, Laura C Morris

Technical Fouls: SC- None. ARKANSAS- None.

Attendance: 1650

Estimated Actual Attendance: 919

| Score by periods | 1st | 2nd | 3rd | 4th | Total |
|------------------|-----|-----|-----|-----|-------|
| SC               | 21  | 22  | 23  | 13  | 79    |
| ARKANSAS         | 10  | 15  | 9   | 15  | 49    |

| Points | In Paint | Off T/O | 2nd Chance | Fast Break | Bench |
|--------|----------|---------|------------|------------|-------|
| SC     | 40       | 22      | 15         | 9          | 19    |
| AR     | 18       | 15      | 15         | 2          | 31    |

Last FG - SC 4th-00:43, AR 4th-02:59.

Largest lead - SC by 33 4th-07:53; ARKANSAS by SC led for 38:35. AR led for 0:00. Game was tied for 1:25.

Score tied - 0 times  
Lead changed - 0 times

# Official Basketball Box Score -- Game Totals -- First Half Statistics

## SC vs ARKANSAS

2/5/2017 1 p.m. at Fayetteville, Ark. (Bud Walton Arena)

### SC 43 • 19-2, 9-1 SEC

| ##     | Player             |      | Total  |         |        | 3-Ptr  |        |        | Rebounds |     |     | PF | TP | A | TO  | Blk | Stl | Min |
|--------|--------------------|------|--------|---------|--------|--------|--------|--------|----------|-----|-----|----|----|---|-----|-----|-----|-----|
|        |                    |      | FG-FGA | FG-FGA  | FT-FTA | FG-FGA | FG-FGA | FT-FTA | Off      | Def | Tot |    |    |   |     |     |     |     |
| 03     | DAVIS,KAELA        | g    | 3-6    | 2-4     | 0-0    | 0      | 1      | 1      | 0        | 8   | 1   | 0  | 0  | 1 | 15  |     |     |     |
| 10     | GRAY,ALLISHA       | g    | 3-7    | 1-3     | 0-0    | 1      | 1      | 2      | 1        | 7   | 3   | 0  | 0  | 2 | 17  |     |     |     |
| 22     | WILSON,A'JA        | f    | 3-7    | 0-0     | 4-5    | 1      | 0      | 1      | 2        | 10  | 0   | 1  | 1  | 0 | 13  |     |     |     |
| 41     | COATES,ALAINA      | c    | 5-7    | 0-0     | 0-0    | 2      | 10     | 12     | 1        | 10  | 3   | 1  | 1  | 1 | 17  |     |     |     |
| 52     | HARRIS,TYASHA      | g    | 1-1    | 0-0     | 2-2    | 0      | 0      | 0      | 0        | 4   | 4   | 0  | 0  | 0 | 15  |     |     |     |
| 00     | PATRICK,VICTORIA   |      | 0-0    | 0-0     | 0-0    | 0      | 0      | 0      | 0        | 0   | 0   | 0  | 0  | 0 | 0   |     |     |     |
| 01     | CUEVAS-MOORE,BIANC |      | 1-3    | 0-1     | 0-0    | 0      | 0      | 0      | 0        | 2   | 0   | 0  | 0  | 0 | 10  |     |     |     |
| 04     | CLINEY,DONIYAH     |      | 0-1    | 0-0     | 0-0    | 1      | 1      | 2      | 0        | 0   | 1   | 1  | 0  | 0 | 9   |     |     |     |
| 12     | BRADSHAW,ARAION    |      | 0-0    | 0-0     | 0-0    | 0      | 0      | 0      | 0        | 0   | 0   | 0  | 0  | 0 | 0   |     |     |     |
| 21     | HERBERT HARRIGAN,M |      | 1-1    | 0-0     | 0-0    | 1      | 0      | 1      | 0        | 2   | 0   | 0  | 0  | 0 | 4   |     |     |     |
| TEAM   |                    |      |        |         |        | 1      | 1      | 2      | 0        |     | 0   |    |    |   |     |     |     |     |
| Totals |                    |      | 17-33  | 3-8     | 6-7    | 7      | 14     | 21     | 4        | 43  | 12  | 3  | 2  | 4 | 100 |     |     |     |
| FG %   | 1st Qtr            | 8-16 | 50.0%  | 2nd Qtr | 9-17   | 52.9%  | Half:  | 17-33  | 51.5%    |     |     |    |    |   |     |     |     |     |
| 3FG %  | 1st Qtr            | 2-4  | 50.0%  | 2nd Qtr | 1-4    | 25.0%  | Half:  | 3-8    | 37.5%    |     |     |    |    |   |     |     |     |     |
| FT %   | 1st Qtr            | 3-4  | 75.0%  | 2nd Qtr | 3-3    | 100.0% | Half:  | 6-7    | 85.7%    |     |     |    |    |   |     |     |     |     |

### ARKANSAS 25 • 13-9, 2-7 SEC

| ##     | Player           |      | Total  |         |        | 3-Ptr  |        |        | Rebounds |     |     | PF | TP | A | TO  | Blk | Stl | Min |
|--------|------------------|------|--------|---------|--------|--------|--------|--------|----------|-----|-----|----|----|---|-----|-----|-----|-----|
|        |                  |      | FG-FGA | FG-FGA  | FT-FTA | FG-FGA | FG-FGA | FT-FTA | Off      | Def | Tot |    |    |   |     |     |     |     |
| 00     | JACKSON,JESSICA  | f    | 1-7    | 0-2     | 0-0    | 1      | 3      | 4      | 2        | 2   | 0   | 1  | 0  | 0 | 14  |     |     |     |
| 03     | MONK,MALICA      | g    | 1-8    | 0-1     | 0-0    | 1      | 2      | 3      | 1        | 2   | 0   | 1  | 1  | 0 | 18  |     |     |     |
| 10     | WILLIAMS,KIARA   | f    | 0-0    | 0-0     | 0-0    | 0      | 1      | 1      | 0        | 0   | 0   | 0  | 0  | 1 | 12  |     |     |     |
| 14     | MASON,JAILYN     | g    | 0-2    | 0-1     | 0-0    | 0      | 0      | 0      | 0        | 0   | 2   | 1  | 0  | 0 | 7   |     |     |     |
| 22     | ZIMMERMAN,BAILEY | f    | 0-0    | 0-0     | 0-0    | 0      | 0      | 0      | 1        | 0   | 0   | 0  | 0  | 0 | 4   |     |     |     |
| 02     | WILSON,AALIYAH   |      | 4-9    | 1-3     | 1-2    | 1      | 0      | 1      | 1        | 10  | 1   | 1  | 0  | 0 | 13  |     |     |     |
| 04     | SWENSON,KEIRYN   |      | 2-5    | 0-2     | 0-0    | 3      | 1      | 4      | 1        | 4   | 0   | 1  | 0  | 0 | 12  |     |     |     |
| 20     | STOUT,SYDNEY     |      | 0-0    | 0-0     | 0-0    | 0      | 0      | 0      | 0        | 0   | 0   | 0  | 0  | 0 | 0   |     |     |     |
| 21     | COSPER,DEVIN     |      | 1-3    | 1-2     | 0-0    | 1      | 0      | 1      | 0        | 3   | 0   | 1  | 0  | 0 | 9   |     |     |     |
| 35     | COOLEY,ALECIA    |      | 2-3    | 0-0     | 0-0    | 2      | 2      | 4      | 0        | 4   | 0   | 0  | 0  | 0 | 11  |     |     |     |
| TEAM   |                  |      |        |         |        | 2      | 0      | 2      | 0        |     | 1   |    |    |   |     |     |     |     |
| Totals |                  |      | 11-37  | 2-11    | 1-2    | 11     | 9      | 20     | 6        | 25  | 3   | 7  | 1  | 1 | 100 |     |     |     |
| FG %   | 1st Qtr          | 4-18 | 22.2%  | 2nd Qtr | 7-19   | 36.8%  | Half:  | 11-37  | 29.7%    |     |     |    |    |   |     |     |     |     |
| 3FG %  | 1st Qtr          | 2-7  | 28.6%  | 2nd Qtr | 0-4    | 00.0%  | Half:  | 2-11   | 18.2%    |     |     |    |    |   |     |     |     |     |
| FT %   | 1st Qtr          | 0-0  | 0%     | 2nd Qtr | 1-2    | 50.0%  | Half:  | 1-2    | 50.0%    |     |     |    |    |   |     |     |     |     |

Officials: Cameron Inouye, Douglas Knight, Laura C Morris

Technical Fouls: SC- None. ARKANSAS- None.

Estimated Actual Attendance: 919

| Score by periods | 1st | 2nd | 3rd | 4th | Total |
|------------------|-----|-----|-----|-----|-------|
| SC               | 21  | 22  | 23  | 13  | 79    |
| ARKANSAS         | 10  | 15  | 9   | 15  | 49    |

| Points   | In    | Off | 2nd    | Fast  | Bench |
|----------|-------|-----|--------|-------|-------|
|          | Paint | T/O | Chance | Break |       |
| SC       | 24    | 13  | 6      | 6     | 4     |
| ARKANSAS | 14    | 2   | 10     | 0     | 21    |

Last FG - SC 2nd-01:11, AR 2nd-01:44.

SC led for 18:35. AR led for 0:00. Game was tied for 1:25.

Score tied - 0 times  
Lead changed - 0 times

**SC vs ARKANSAS**  
**2/5/2017; 1 p.m. at Fayetteville, Ark. (Bud Walton Arena)**  
**Period 1 Play-By-Play**

| VISITORS: SC                        | Time  | Score | Margin | HOME: ARKANSAS                   |
|-------------------------------------|-------|-------|--------|----------------------------------|
|                                     | 09:49 |       |        | MISSED JUMPER by JACKSON,JESSICA |
| BLOCK by WILSON,A'JA                | 09:49 |       |        |                                  |
| REBOUND (DEF) by COATES,ALAINA      | 09:48 |       |        |                                  |
|                                     | 09:29 |       |        | FOUL by ZIMMERMAN,BAILEY         |
| MISSED JUMPER by DAVIS,KAELA        | 09:23 |       |        |                                  |
| REBOUND (OFF) by GRAY,ALLISHA       | 09:23 |       |        |                                  |
| MISSED JUMPER by WILSON,A'JA        | 09:19 |       |        |                                  |
|                                     | 09:19 |       |        | REBOUND (DEF) by WILLIAMS,KIARA  |
|                                     | 08:59 |       |        | MISSED 3PTR by MONK,MALICA       |
| REBOUND (DEF) by COATES,ALAINA      | 08:59 |       |        |                                  |
| MISSED 3PTR by GRAY,ALLISHA         | 08:48 |       |        |                                  |
| REBOUND (OFF) by COATES,ALAINA      | 08:48 |       |        |                                  |
| TURNOVER by COATES,ALAINA           | 08:45 |       |        |                                  |
|                                     | 08:44 |       |        | STEAL by WILLIAMS,KIARA          |
|                                     | 08:40 |       |        | MISSED JUMPER by MONK,MALICA     |
| REBOUND (DEF) by GRAY,ALLISHA       | 08:40 |       |        |                                  |
|                                     | 08:35 |       |        | FOUL by JACKSON,JESSICA          |
| MISSED FT by WILSON,A'JA            | 08:35 |       |        |                                  |
| REBOUND (DEADB) by TEAM             | 08:35 |       |        |                                  |
| GOOD! FT by WILSON,A'JA             | 08:35 | 0-1   | V 1    |                                  |
|                                     | 08:22 |       |        | MISSED JUMPER by MASON,JAILYN    |
| REBOUND (DEF) by COATES,ALAINA      | 08:22 |       |        |                                  |
| GOOD! 3PTR by DAVIS,KAELA           | 08:13 | 0-4   | V 4    |                                  |
| ASSIST by HARRIS,TYASHA             | 08:13 |       |        |                                  |
|                                     | 07:37 |       |        | TURNOVER by TEAM                 |
| GOOD! 3PTR by DAVIS,KAELA           | 07:19 | 0-7   | V 7    |                                  |
| ASSIST by HARRIS,TYASHA             | 07:19 |       |        |                                  |
|                                     | 06:51 | 2-7   | V 5    | GOOD! LAYUP by MONK,MALICA [PNT] |
|                                     | 06:51 |       |        | ASSIST by MASON,JAILYN           |
| MISSED JUMPER by WILSON,A'JA        | 06:40 |       |        |                                  |
| REBOUND (OFF) by COATES,ALAINA      | 06:40 |       |        |                                  |
| GOOD! JUMPER by COATES,ALAINA [PNT] | 06:38 | 2-9   | V 7    |                                  |
|                                     | 06:17 |       |        | MISSED 3PTR by MASON,JAILYN      |
| REBOUND (DEF) by COATES,ALAINA      | 06:17 |       |        |                                  |
|                                     | 06:15 |       |        | FOUL by JACKSON,JESSICA          |
|                                     | 06:15 |       |        | SUB IN: SWENSON,KEIRYN           |
| GOOD! LAYUP by COATES,ALAINA [PNT]  | 06:04 | 2-11  | V 9    |                                  |
| ASSIST by GRAY,ALLISHA              | 06:04 |       |        |                                  |
|                                     | 05:50 |       |        | TURNOVER by MONK,MALICA          |
| STEAL by GRAY,ALLISHA               | 05:50 |       |        |                                  |
|                                     | 05:50 |       |        | SUB IN: COOLEY,ALECIA            |
|                                     | 05:50 |       |        | SUB IN: WILSON,AALIYAH           |
|                                     | 05:50 |       |        | SUB IN: COSPER,DEVIN             |
|                                     | 05:50 |       |        | SUB OUT: WILLIAMS,KIARA          |
|                                     | 05:50 |       |        | SUB OUT: MASON,JAILYN            |
|                                     | 05:50 |       |        | SUB OUT: ZIMMERMAN,BAILEY        |
| GOOD! LAYUP by COATES,ALAINA [PNT]  | 05:28 | 2-13  | V 11   |                                  |
| ASSIST by DAVIS,KAELA               | 05:28 |       |        |                                  |
|                                     | 05:08 | 5-13  | V 8    | GOOD! 3PTR by WILSON,AALIYAH     |
| MISSED JUMPER by WILSON,A'JA        | 04:48 |       |        |                                  |
|                                     | 04:48 |       |        | REBOUND (DEF) by MONK,MALICA     |
|                                     | 04:38 |       |        | MISSED 3PTR by SWENSON,KEIRYN    |
|                                     | 04:38 |       |        | REBOUND (OFF) by MONK,MALICA     |
|                                     | 04:35 |       |        | MISSED JUMPER by MONK,MALICA     |
|                                     | 04:34 |       |        | REBOUND (OFF) by TEAM            |
|                                     | 04:34 |       |        | TIMEOUT media                    |
| SUB IN: CUEVAS-MOORE,BIANCA         | 04:34 |       |        |                                  |
| SUB OUT: HARRIS,TYASHA              | 04:34 |       |        |                                  |
|                                     | 04:19 |       |        | MISSED JUMPER by COSPER,DEVIN    |

| VISITORS: SC                             | Time  | Score | Margin | HOME: ARKANSAS                      |
|--|-------|-------|--------|-------------------------------------|
|  | 04:19 |       |        | REBOUND (OFF) by COSPER,DEVIN       |
|  | 04:08 |       |        | MISSED 3PTR by WILSON,AALIYAH       |
| REBOUND (DEF) by COATES,ALAINA           | 04:08 |       |        |                                     |
| MISSED JUMPER by GRAY,ALLISHA            | 03:56 |       |        |                                     |
|  | 03:56 |       |        | REBOUND (DEF) by COOLEY,ALECIA      |
|  | 03:24 |       |        | MISSED JUMPER by MONK,MALICA        |
| REBOUND (DEF) by COATES,ALAINA           | 03:24 |       |        |                                     |
|  | 03:02 |       |        | FOUL by WILSON,AALIYAH              |
| GOOD! FT by WILSON,A'JA                  | 03:02 | 5-14  | V 9    |                                     |
| GOOD! FT by WILSON,A'JA                  | 03:02 | 5-15  | V 10   |                                     |
| SUB IN: CLINEY,DONIYAH                   | 03:02 |       |        |                                     |
| SUB OUT: WILSON,A'JA                     | 03:02 |       |        |                                     |
|  | 02:50 |       |        | TURNOVER by COSPER,DEVIN            |
| STEAL by DAVIS,KAELA                     | 02:49 |       |        |                                     |
| GOOD! LAYUP by DAVIS,KAELA [FB/PNT]      | 02:46 | 5-17  | V 12   |                                     |
| ASSIST by GRAY,ALLISHA                   | 02:46 |       |        |                                     |
|  | 02:33 |       |        | MISSED JUMPER by COOLEY,ALECIA      |
| REBOUND (DEF) by COATES,ALAINA           | 02:33 |       |        |                                     |
| GOOD! LAYUP by COATES,ALAINA [PNT]       | 02:10 | 5-19  | V 14   |                                     |
| ASSIST by CLINEY,DONIYAH                 | 02:10 |       |        |                                     |
|  | 01:45 |       |        | MISSED JUMPER by WILSON,AALIYAH     |
|  | 01:45 |       |        | REBOUND (OFF) by COOLEY,ALECIA      |
|  | 01:41 | 7-19  | V 12   | GOOD! JUMPER by COOLEY,ALECIA [PNT] |
| MISSED 3PTR by DAVIS,KAELA               | 01:17 |       |        |                                     |
|  | 01:17 |       |        | REBOUND (DEF) by MONK,MALICA        |
|  | 01:08 |       |        | MISSED JUMPER by WILSON,AALIYAH     |
| REBOUND (DEF) by CLINEY,DONIYAH          | 01:08 |       |        |                                     |
| GOOD! LAYUP by CUEVAS-MOORE,BIANCA [PNT] | 01:00 | 7-21  | V 14   |                                     |
| ASSIST by COATES,ALAINA                  | 01:00 |       |        |                                     |
|  | 00:39 | 10-21 | V 11   | GOOD! 3PTR by COSPER,DEVIN          |
|  | 00:39 |       |        | ASSIST by WILSON,AALIYAH            |
| MISSED JUMPER by GRAY,ALLISHA            | 00:18 |       |        |                                     |
|  | 00:18 |       |        | REBOUND (DEF) by SWENSON,KEIRYN     |
|  | 00:02 |       |        | MISSED 3PTR by WILSON,AALIYAH       |
| REBOUND (DEADB) by TEAM                  | 00:02 |       |        |                                     |

SC 21, ARKANSAS 10

| Period 1-only | In Paint | Off T/O | 2nd Chance | Fast Break | Bench |                        |
|---------------|----------|---------|------------|------------|-------|------------------------|
| SC            | 12       | 7       | 2          | 2          | 2     | Score tied - 0 times   |
| AR            | 4        | 0       | 2          | 0          | 8     | Lead changed - 0 times |

**SC vs ARKANSAS**  
**2/5/2017; 1 p.m. at Fayetteville, Ark. (Bud Walton Arena)**  
**Period 2 Play-By-Play**

| VISITORS: SC                         | Time  | Score | Margin | HOME: ARKANSAS                       |
|--------------------------------------|-------|-------|--------|--------------------------------------|
| SUB IN: CUEVAS-MOORE,BIANCA          | 10:00 |       |        |                                      |
| SUB IN: CLINEY,DONIYAH               | 10:00 |       |        |                                      |
| SUB OUT: DAVIS,KAELA                 | 10:00 |       |        |                                      |
| SUB OUT: COATES,ALAINA               | 10:00 |       |        |                                      |
|                                      | 10:00 |       |        | SUB IN: COSPER,DEVIN                 |
|                                      | 10:00 |       |        | SUB IN: SWENSON,KEIRYN               |
|                                      | 10:00 |       |        | SUB OUT: MONK,MALICA                 |
|                                      | 10:00 |       |        | SUB OUT: ZIMMERMAN,BAILEY            |
|                                      | 09:46 |       |        | MISSED JUMPER by JACKSON,JESSICA     |
|                                      | 09:46 |       |        | REBOUND (OFF) by TEAM                |
|                                      | 09:43 | 12-21 | V 9    | GOOD! JUMPER by SWENSON,KEIRYN       |
|                                      | 09:43 |       |        | ASSIST by MASON,JAILYN               |
| GOOD! LAYUP by GRAY,ALLISHA [PNT]    | 09:15 | 12-23 | V 11   |                                      |
|                                      | 08:59 |       |        | MISSED JUMPER by JACKSON,JESSICA     |
|                                      | 08:59 |       |        | REBOUND (OFF) by SWENSON,KEIRYN      |
|                                      | 08:56 | 14-23 | V 9    | GOOD! JUMPER by SWENSON,KEIRYN [PNT] |
| GOOD! 3PTR by GRAY,ALLISHA           | 08:28 | 14-26 | V 12   |                                      |
| ASSIST by HARRIS,TYASHA              | 08:28 |       |        |                                      |
|                                      | 08:10 |       |        | TURNOVER by MASON,JAILYN             |
| STEAL by GRAY,ALLISHA                | 08:09 |       |        |                                      |
| GOOD! LAYUP by GRAY,ALLISHA [FB/PNT] | 08:07 | 14-28 | V 14   |                                      |
|                                      | 07:53 |       |        | MISSED 3PTR by JACKSON,JESSICA       |
| REBOUND (DEF) by TEAM                | 07:53 |       |        |                                      |
|                                      | 07:49 |       |        | SUB IN: MONK,MALICA                  |
|                                      | 07:49 |       |        | SUB OUT: MASON,JAILYN                |
|                                      | 07:28 |       |        | FOUL by SWENSON,KEIRYN               |
| GOOD! FT by WILSON,A'JA              | 07:28 | 14-29 | V 15   |                                      |
| TURNOVER by CLINEY,DONIYAH           | 07:28 |       |        |                                      |
| SUB IN: COATES,ALAINA                | 07:28 |       |        |                                      |
| SUB OUT: GRAY,ALLISHA                | 07:28 |       |        |                                      |
|                                      | 07:28 |       |        | SUB IN: WILSON,AALIYAH               |
|                                      | 07:28 |       |        | SUB OUT: COSPER,DEVIN                |
|                                      | 07:11 | 16-29 | V 13   | GOOD! JUMPER by WILSON,AALIYAH       |
| TURNOVER by WILSON,A'JA              | 07:03 |       |        |                                      |
|                                      | 06:53 |       |        | MISSED 3PTR by SWENSON,KEIRYN        |
| REBOUND (DEF) by COATES,ALAINA       | 06:53 |       |        |                                      |
| MISSED JUMPER by CUEVAS-MOORE,BIANCA | 06:45 |       |        |                                      |
| REBOUND (OFF) by WILSON,A'JA         | 06:45 |       |        |                                      |
| GOOD! LAYUP by WILSON,A'JA [PNT]     | 06:41 | 16-31 | V 15   |                                      |
|                                      | 06:21 |       |        | MISSED JUMPER by MONK,MALICA         |
|                                      | 06:21 |       |        | REBOUND (OFF) by SWENSON,KEIRYN      |
|                                      | 06:16 |       |        | MISSED JUMPER by SWENSON,KEIRYN      |
| BLOCK by COATES,ALAINA               | 06:16 |       |        |                                      |
|                                      | 06:15 |       |        | REBOUND (OFF) by SWENSON,KEIRYN      |
|                                      | 06:10 |       |        | TURNOVER by SWENSON,KEIRYN           |
| GOOD! LAYUP by WILSON,A'JA [PNT]     | 05:56 | 16-33 | V 17   |                                      |
| ASSIST by COATES,ALAINA              | 05:56 |       |        |                                      |
|                                      | 05:36 | 18-33 | V 15   | GOOD! JUMPER by WILSON,AALIYAH [PNT] |
| MISSED 3PTR by CUEVAS-MOORE,BIANCA   | 05:17 |       |        |                                      |
| REBOUND (OFF) by CLINEY,DONIYAH      | 05:17 |       |        |                                      |
| MISSED JUMPER by CLINEY,DONIYAH      | 05:14 |       |        |                                      |
| REBOUND (OFF) by TEAM                | 05:14 |       |        |                                      |
| SUB IN: DAVIS,KAELA                  | 05:12 |       |        |                                      |
| SUB OUT: CUEVAS-MOORE,BIANCA         | 05:12 |       |        |                                      |
|                                      | 05:12 |       |        | SUB IN: COOLEY,ALECIA                |
|                                      | 05:12 |       |        | SUB OUT: WILLIAMS,KIARA              |
| MISSED JUMPER by WILSON,A'JA         | 04:58 |       |        |                                      |
|                                      | 04:58 |       |        | REBOUND (DEF) by COOLEY,ALECIA       |
|                                      | 04:51 |       |        | MISSED JUMPER by MONK,MALICA         |

| VISITORS: SC                        | Time  | Score | Margin | HOME: ARKANSAS                        |
|-------------------------------------|-------|-------|--------|---------------------------------------|
|                                     | 04:51 |       |        | REBOUND (OFF) by COOLEY,ALECIA        |
|                                     | 04:49 | 20-33 | V 13   | GOOD! JUMPER by COOLEY,ALECIA [PNT]   |
| MISSED JUMPER by COATES,ALAINA      | 04:37 |       |        |                                       |
|                                     | 04:37 |       |        | REBOUND (DEF) by JACKSON,JESSICA      |
| FOUL by WILSON,A'JA                 | 04:28 |       |        |                                       |
|                                     | 04:28 |       |        | TIMEOUT MEDIA                         |
|                                     | 04:28 |       |        | MISSED FT by WILSON,AALIYAH           |
|                                     | 04:28 |       |        | REBOUND (DEADB) by TEAM               |
|                                     | 04:28 | 21-33 | V 12   | GOOD! FT by WILSON,AALIYAH            |
| SUB IN: GRAY,ALLISHA                | 04:28 |       |        |                                       |
| SUB OUT: CLINEY,DONIYAH             | 04:28 |       |        |                                       |
| GOOD! LAYUP by WILSON,A'JA [PNT]    | 04:09 | 21-35 | V 14   |                                       |
| ASSIST by COATES,ALAINA             | 04:09 |       |        |                                       |
| FOUL by WILSON,A'JA                 | 03:50 |       |        |                                       |
| SUB IN: HERBERT HARRIGAN,M          | 03:50 |       |        |                                       |
| SUB OUT: WILSON,A'JA                | 03:50 |       |        |                                       |
|                                     | 03:50 |       |        | SUB IN: WILLIAMS,KIARA                |
|                                     | 03:50 |       |        | SUB OUT: SWENSON,KEIRYN               |
|                                     | 03:41 |       |        | MISSED JUMPER by WILSON,AALIYAH       |
| REBOUND (DEF) by COATES,ALAINA      | 03:41 |       |        |                                       |
| GOOD! JUMPER by HARRIS,TYASHA [FB]  | 03:33 | 21-37 | V 16   |                                       |
|                                     | 03:09 | 23-37 | V 14   | GOOD! JUMPER by JACKSON,JESSICA [PNT] |
| GOOD! LAYUP by COATES,ALAINA [PNT]  | 02:54 | 23-39 | V 16   |                                       |
| ASSIST by GRAY,ALLISHA              | 02:54 |       |        |                                       |
|                                     | 02:33 |       |        | MISSED JUMPER by JACKSON,JESSICA      |
|                                     | 02:33 |       |        | REBOUND (OFF) by JACKSON,JESSICA      |
| FOUL by GRAY,ALLISHA                | 02:31 |       |        |                                       |
|                                     | 02:22 |       |        | TURNOVER by WILSON,AALIYAH            |
| MISSED JUMPER by COATES,ALAINA      | 02:17 |       |        |                                       |
|                                     | 02:17 |       |        | BLOCK by MONK,MALICA                  |
|                                     | 02:15 |       |        | REBOUND (DEF) by JACKSON,JESSICA      |
| FOUL by COATES,ALAINA               | 02:15 |       |        |                                       |
|                                     | 01:48 |       |        | MISSED JUMPER by MONK,MALICA          |
|                                     | 01:48 |       |        | REBOUND (OFF) by WILSON,AALIYAH       |
|                                     | 01:44 | 25-39 | V 14   | GOOD! JUMPER by WILSON,AALIYAH [PNT]  |
| MISSED 3PTR by DAVIS,KAELA          | 01:19 |       |        |                                       |
| REBOUND (OFF) by HERBERT HARRIGAN,M | 01:19 |       |        |                                       |
| GOOD! JUMPER by HERBERT HARRIGAN,M  | 01:11 | 25-41 | V 16   |                                       |
| ASSIST by HARRIS,TYASHA             | 01:11 |       |        |                                       |
|                                     | 00:53 |       |        | MISSED 3PTR by JACKSON,JESSICA        |
| REBOUND (DEF) by COATES,ALAINA      | 00:53 |       |        |                                       |
| MISSED 3PTR by GRAY,ALLISHA         | 00:40 |       |        |                                       |
|                                     | 00:40 |       |        | REBOUND (DEF) by JACKSON,JESSICA      |
|                                     | 00:28 |       |        | TURNOVER by JACKSON,JESSICA           |
| STEAL by COATES,ALAINA              | 00:26 |       |        |                                       |
|                                     | 00:23 |       |        | FOUL by MONK,MALICA                   |
| GOOD! FT by HARRIS,TYASHA           | 00:23 | 25-42 | V 17   |                                       |
| GOOD! FT by HARRIS,TYASHA           | 00:23 | 25-43 | V 18   |                                       |
| SUB IN: CLINEY,DONIYAH              | 00:23 |       |        |                                       |
| SUB OUT: COATES,ALAINA              | 00:23 |       |        |                                       |
|                                     | 00:23 |       |        | SUB IN: STOUT,SYDNEY                  |
|                                     | 00:23 |       |        | SUB IN: MASON,JAILYN                  |
|                                     | 00:23 |       |        | SUB IN: COSPER,DEVIN                  |
|                                     | 00:23 |       |        | SUB OUT: WILSON,AALIYAH               |
|                                     | 00:23 |       |        | SUB OUT: COOLEY,ALECIA                |
|                                     | 00:23 |       |        | SUB OUT: WILLIAMS,KIARA               |
|                                     | 00:03 |       |        | MISSED 3PTR by COSPER,DEVIN           |
| REBOUND (DEF) by DAVIS,KAELA        | 00:03 |       |        |                                       |

SC 43, ARKANSAS 25

|    |                      |              |            |               |              |              |
|----|----------------------|--------------|------------|---------------|--------------|--------------|
|    | <b>Period 2-only</b> | <b>In</b>    | <b>Off</b> | <b>2nd</b>    | <b>Fast</b>  |              |
|    |                      | <b>Paint</b> | <b>T/O</b> | <b>Chance</b> | <b>Break</b> | <b>Bench</b> |
| SC | <b>Period 2-only</b> | <b>In</b>    | <b>Off</b> | <b>2nd</b>    | <b>Fast</b>  | <b>2</b>     |
| AR |                      | <b>Paint</b> | <b>T/O</b> | <b>Chance</b> | <b>Break</b> | <b>Bench</b> |

Score tied - 0 times  
Lead changed - 0 times



**Official Basketball Box Score -- Game Totals -- Second Half Statistics**  
**SC vs ARKANSAS**  
**2/5/2017 1 p.m. at Fayetteville, Ark. (Bud Walton Arena)**

**SC 36 • 19-2, 9-1 SEC**

| ##     | Player             | g     | Total  |         |        | 3-Ptr  |        |        | Rebounds |     |     | PF | TP | A | TO | Blk | Stl | Min |
|--------|--------------------|-------|--------|---------|--------|--------|--------|--------|----------|-----|-----|----|----|---|----|-----|-----|-----|
|        |                    |       | FG-FGA | FG-FGA  | FT-FTA | FG-FGA | FG-FGA | FT-FTA | Off      | Def | Tot |    |    |   |    |     |     |     |
| 03     | DAVIS,KAELA        |       | 1-5    | 0-2     | 0-0    | 0      | 2      | 2      | 2        | 2   | 1   | 1  | 0  | 0 |    |     | 12  |     |
| 10     | GRAY,ALLISHA       |       | 1-2    | 1-2     | 0-0    | 1      | 1      | 2      | 1        | 3   | 1   | 0  | 0  | 0 |    |     | 8   |     |
| 22     | WILSON,A'JA        |       | 2-2    | 0-0     | 4-4    | 0      | 0      | 0      | 1        | 8   | 0   | 1  | 0  | 0 |    |     | 10  |     |
| 41     | COATES,ALAINA      |       | 3-4    | 0-0     | 2-2    | 3      | 4      | 7      | 2        | 8   | 1   | 0  | 0  | 1 |    |     | 13  |     |
| 52     | HARRIS,TYASHA      |       | 0-1    | 0-0     | 0-0    | 0      | 1      | 1      | 0        | 0   | 1   | 0  | 0  | 1 |    |     | 5   |     |
| 00     | PATRICK,VICTORIA   |       | 1-1    | 1-1     | 0-0    | 0      | 0      | 0      | 0        | 3   | 0   | 0  | 0  | 0 |    |     | 5   |     |
| 01     | CUEVAS-MOORE,BIANC |       | 1-2    | 0-0     | 6-6    | 0      | 2      | 2      | 0        | 8   | 0   | 0  | 0  | 0 |    |     | 13  |     |
| 04     | CLINEY,DONIYAH     |       | 0-3    | 0-1     | 0-0    | 3      | 0      | 3      | 1        | 0   | 0   | 2  | 0  | 3 |    |     | 15  |     |
| 12     | BRADSHAW,ARAION    |       | 0-2    | 0-0     | 0-0    | 1      | 2      | 3      | 0        | 0   | 1   | 1  | 0  | 0 |    |     | 7   |     |
| 21     | HERBERT HARRIGAN,M |       | 2-3    | 0-0     | 0-1    | 1      | 4      | 5      | 2        | 4   | 0   | 3  | 2  | 1 |    |     | 13  |     |
| TEAM   |                    |       |        |         |        | 0      | 0      | 0      | 0        |     |     | 1  |    |   |    |     |     |     |
| Totals |                    |       | 11-25  | 2-6     | 12-13  | 9      | 16     | 25     | 9        | 36  | 5   | 9  | 2  | 6 |    |     | 101 |     |
| FG %   | 3rd Qtr            | 6-11  | 54.5%  | 4th Qtr | 5-14   | 35.7%  | Half:  | 11-25  | 44.0%    |     |     |    |    |   |    |     |     |     |
| 3FG %  | 3rd Qtr            | 1-4   | 25.0%  | 4th Qtr | 1-2    | 50.0%  | Half:  | 2-6    | 37.5%    |     |     |    |    |   |    |     |     |     |
| FT %   | 3rd Qtr            | 10-10 | 100.0% | 4th Qtr | 2-3    | 66.7%  | Half:  | 12-13  | 92.3%    |     |     |    |    |   |    |     |     |     |

**ARKANSAS 24 • 13-9, 2-7 SEC**

| ##     | Player           | g    | Total  |         |        | 3-Ptr  |        |        | Rebounds |     |     | PF | TP | A | TO | Blk | Stl | Min |
|--------|------------------|------|--------|---------|--------|--------|--------|--------|----------|-----|-----|----|----|---|----|-----|-----|-----|
|        |                  |      | FG-FGA | FG-FGA  | FT-FTA | FG-FGA | FG-FGA | FT-FTA | Off      | Def | Tot |    |    |   |    |     |     |     |
| 00     | JACKSON,JESSICA  |      | 0-4    | 0-3     | 0-0    | 1      | 0      | 1      | 1        | 0   | 0   | 0  | 0  | 0 |    |     | 10  |     |
| 03     | MONK,MALICA      |      | 0-2    | 0-0     | 0-0    | 1      | 1      | 2      | 3        | 0   | 2   | 1  | 0  | 2 |    |     | 14  |     |
| 10     | WILLIAMS,KIARA   |      | 1-3    | 0-0     | 2-2    | 1      | 1      | 2      | 3        | 4   | 0   | 0  | 0  | 1 |    |     | 14  |     |
| 14     | MASON,JAILYN     |      | 1-5    | 1-3     | 0-0    | 0      | 1      | 1      | 1        | 3   | 2   | 1  | 0  | 0 |    |     | 12  |     |
| 22     | ZIMMERMAN,BAILEY |      | 1-4    | 1-4     | 4-4    | 0      | 2      | 2      | 0        | 7   | 0   | 0  | 0  | 0 |    |     | 18  |     |
| 02     | WILSON,AALIYAH   |      | 2-4    | 2-4     | 0-0    | 0      | 0      | 0      | 0        | 6   | 1   | 3  | 0  | 0 |    |     | 12  |     |
| 04     | SWENSON,KEIRYN   |      | 1-3    | 0-2     | 0-0    | 0      | 0      | 0      | 1        | 2   | 1   | 1  | 0  | 0 |    |     | 10  |     |
| 20     | STOUT,SYDNEY     |      | 0-0    | 0-0     | 0-0    | 0      | 0      | 0      | 0        | 0   | 0   | 0  | 0  | 0 |    |     | 2   |     |
| 21     | COSPER,DEVIN     |      | 0-2    | 0-2     | 0-0    | 0      | 1      | 1      | 1        | 0   | 1   | 0  | 0  | 0 |    |     | 4   |     |
| 35     | COOLEY,ALECIA    |      | 1-1    | 0-0     | 0-0    | 0      | 0      | 0      | 1        | 2   | 0   | 0  | 0  | 0 |    |     | 4   |     |
| TEAM   |                  |      |        |         |        | 1      | 0      | 1      | 0        |     |     | 0  |    |   |    |     |     |     |
| Totals |                  |      | 7-28   | 4-18    | 6-6    | 4      | 6      | 10     | 11       | 24  | 7   | 6  | 0  | 3 |    |     | 100 |     |
| FG %   | 3rd Qtr          | 2-12 | 16.7%  | 4th Qtr | 5-16   | 31.3%  | Half:  | 7-28   | 25.0%    |     |     |    |    |   |    |     |     |     |
| 3FG %  | 3rd Qtr          | 1-8  | 12.5%  | 4th Qtr | 3-10   | 30.0%  | Half:  | 4-18   | 18.2%    |     |     |    |    |   |    |     |     |     |
| FT %   | 3rd Qtr          | 4-4  | 100.0% | 4th Qtr | 2-2    | 100.0% | Half:  | 6-6    | 100.0%   |     |     |    |    |   |    |     |     |     |

Officials: Cameron Inouye, Douglas Knight, Laura C Morris  
 Technical Fouls: SC- None. ARKANSAS- None.  
 Estimated Actual Attendance: 919

| Score by periods | 1st | 2nd | 3rd | 4th | Total     |
|------------------|-----|-----|-----|-----|-----------|
| SC               | 21  | 22  | 23  | 13  | <b>79</b> |
| ARKANSAS         | 10  | 15  | 9   | 15  | <b>49</b> |

| Points   | In Paint | Off T/O | 2nd Chance | Fast Break | Bench |
|----------|----------|---------|------------|------------|-------|
| SC       | 16       | 9       | 9          | 3          | 15    |
| ARKANSAS | 4        | 13      | 5          | 2          | 10    |

Last FG - SC 4th-00:43, AR 4th-02:59.  
 SC led for 20:00. AR led for 0:00. Game was tied for 0:00.

Score tied - 0 times  
 Lead changed - 0 times

**SC vs ARKANSAS**  
**2/5/2017; 1 p.m. at Fayetteville, Ark. (Bud Walton Arena)**  
**Period 3 Play-By-Play**

| VISITORS: SC                        | Time  | Score | Margin | HOME: ARKANSAS                  |
|-------------------------------------|-------|-------|--------|---------------------------------|
| FOUL by WILSON,A'JA                 | 09:46 |       |        |                                 |
| TURNOVER by WILSON,A'JA             | 09:46 |       |        |                                 |
|                                     | 09:31 | 28-43 | V 15   | GOOD! 3PTR by ZIMMERMAN,BAILEY  |
|                                     | 09:31 |       |        | ASSIST by MASON,JAILYN          |
| GOOD! LAYUP by COATES,ALAINA [PNT]  | 09:16 | 28-45 | V 17   |                                 |
| ASSIST by GRAY,ALLISHA              | 09:16 |       |        |                                 |
|                                     | 08:48 |       |        | MISSED JUMPER by MASON,JAILYN   |
| REBOUND (DEF) by COATES,ALAINA      | 08:48 |       |        |                                 |
| GOOD! LAYUP by WILSON,A'JA [PNT]    | 08:21 | 28-47 | V 19   |                                 |
|                                     | 07:56 |       |        | MISSED 3PTR by MASON,JAILYN     |
|                                     | 07:56 |       |        | REBOUND (DEADB) by TEAM         |
| FOUL by GRAY,ALLISHA                | 07:54 |       |        |                                 |
| FOUL by DAVIS,KAELA                 | 07:47 |       |        |                                 |
| FOUL by COATES,ALAINA               | 07:33 |       |        |                                 |
|                                     | 07:33 | 29-47 | V 18   | GOOD! FT by ZIMMERMAN,BAILEY    |
|                                     | 07:33 | 30-47 | V 17   | GOOD! FT by ZIMMERMAN,BAILEY    |
| MISSED 3PTR by DAVIS,KAELA          | 07:18 |       |        |                                 |
| REBOUND (OFF) by GRAY,ALLISHA       | 07:18 |       |        |                                 |
| GOOD! 3PTR by GRAY,ALLISHA          | 07:11 | 30-50 | V 20   |                                 |
| ASSIST by HARRIS,TYASHA             | 07:11 |       |        |                                 |
|                                     | 06:50 |       |        | MISSED 3PTR by ZIMMERMAN,BAILEY |
| REBOUND (DEF) by HARRIS,TYASHA      | 06:50 |       |        |                                 |
| MISSED JUMPER by HARRIS,TYASHA      | 06:37 |       |        |                                 |
| REBOUND (OFF) by COATES,ALAINA      | 06:37 |       |        |                                 |
| GOOD! JUMPER by COATES,ALAINA [PNT] | 06:34 | 30-52 | V 22   |                                 |
|                                     | 06:22 |       |        | MISSED 3PTR by JACKSON,JESSICA  |
| REBOUND (DEF) by DAVIS,KAELA        | 06:22 |       |        |                                 |
| TURNOVER by DAVIS,KAELA             | 06:16 |       |        |                                 |
|                                     | 06:15 |       |        | STEAL by MONK,MALICA            |
|                                     | 06:10 |       |        | MISSED JUMPER by WILLIAMS,KIARA |
| REBOUND (DEF) by COATES,ALAINA      | 06:10 |       |        |                                 |
|                                     | 05:56 |       |        | FOUL by WILLIAMS,KIARA          |
| GOOD! FT by WILSON,A'JA             | 05:56 | 30-53 | V 23   |                                 |
| GOOD! FT by WILSON,A'JA             | 05:56 | 30-54 | V 24   |                                 |
|                                     | 05:56 |       |        | SUB IN: COOLEY,ALECIA           |
|                                     | 05:56 |       |        | SUB IN: SWENSON,KEIRYN          |
|                                     | 05:56 |       |        | SUB IN: WILSON,AALIYAH          |
|                                     | 05:56 |       |        | SUB OUT: JACKSON,JESSICA        |
|                                     | 05:56 |       |        | SUB OUT: WILLIAMS,KIARA         |
|                                     | 05:56 |       |        | SUB OUT: ZIMMERMAN,BAILEY       |
|                                     | 05:44 |       |        | MISSED JUMPER by MASON,JAILYN   |
| REBOUND (DEF) by GRAY,ALLISHA       | 05:44 |       |        |                                 |
|                                     | 05:32 |       |        | FOUL by COOLEY,ALECIA           |
| GOOD! FT by COATES,ALAINA           | 05:32 | 30-55 | V 25   |                                 |
| GOOD! FT by COATES,ALAINA           | 05:32 | 30-56 | V 26   |                                 |
|                                     | 05:32 |       |        | SUB IN: ZIMMERMAN,BAILEY        |
|                                     | 05:32 |       |        | SUB OUT: MONK,MALICA            |
|                                     | 05:17 |       |        | TURNOVER by SWENSON,KEIRYN      |
| STEAL by HARRIS,TYASHA              | 05:16 |       |        |                                 |
| TIMEOUT media                       | 04:57 |       |        |                                 |
| SUB IN: CLINEY,DONIYAH              | 04:57 |       |        |                                 |
| SUB IN: CUEVAS-MOORE,BIANCA         | 04:57 |       |        |                                 |
| SUB OUT: DAVIS,KAELA                | 04:57 |       |        |                                 |
| SUB OUT: HARRIS,TYASHA              | 04:57 |       |        |                                 |
| MISSED 3PTR by GRAY,ALLISHA         | 04:48 |       |        |                                 |
| REBOUND (OFF) by CLINEY,DONIYAH     | 04:48 |       |        |                                 |
| GOOD! LAYUP by WILSON,A'JA [PNT]    | 04:31 | 30-58 | V 28   |                                 |
| ASSIST by COATES,ALAINA             | 04:31 |       |        |                                 |
|                                     | 04:09 |       |        | TURNOVER by WILSON,AALIYAH      |

| VISITORS: SC                         | Time  | Score | Margin | HOME: ARKANSAS                        |
|--------------------------------------|-------|-------|--------|---------------------------------------|
| STEAL by COATES,ALAINA               | 04:08 |       |        |                                       |
| MISSED 3PTR by CLINEY,DONIYAH        | 03:51 |       |        |                                       |
|                                      | 03:51 |       |        | REBOUND (DEF) by MASON,JAILYN         |
|                                      | 03:42 | 32-58 | V 26   | GOOD! LAYUP by COOLEY,ALECIA [FB/PNT] |
|                                      | 03:42 |       |        | ASSIST by MASON,JAILYN                |
| TURNOVER by CLINEY,DONIYAH           | 03:24 |       |        |                                       |
| SUB IN: HERBERT HARRIGAN,M           | 03:24 |       |        |                                       |
| SUB OUT: COATES,ALAINA               | 03:24 |       |        |                                       |
|                                      | 03:24 |       |        | SUB IN: JACKSON,JESSICA               |
|                                      | 03:24 |       |        | SUB IN: COSPER,DEVIN                  |
|                                      | 03:24 |       |        | SUB OUT: ZIMMERMAN,BAILEY             |
|                                      | 03:24 |       |        | SUB OUT: SWENSON,KEIRYN               |
|                                      | 03:11 |       |        | TURNOVER by WILSON,AALIYAH            |
| STEAL by CLINEY,DONIYAH              | 03:11 |       |        |                                       |
|                                      | 03:10 |       |        | FOUL by MASON,JAILYN                  |
|                                      | 03:10 |       |        | SUB IN: MONK,MALICA                   |
|                                      | 03:10 |       |        | SUB OUT: WILSON,AALIYAH               |
|                                      | 02:47 |       |        | FOUL by JACKSON,JESSICA               |
| GOOD! FT by WILSON,A'JA              | 02:47 | 32-59 | V 27   |                                       |
| GOOD! FT by WILSON,A'JA              | 02:47 | 32-60 | V 28   |                                       |
|                                      | 02:34 |       |        | MISSED 3PTR by COSPER,DEVIN           |
|                                      | 02:34 |       |        | REBOUND (OFF) by MONK,MALICA          |
|                                      | 02:26 |       |        | MISSED 3PTR by JACKSON,JESSICA        |
| REBOUND (DEF) by HERBERT HARRIGAN,M  | 02:26 |       |        |                                       |
|                                      | 02:17 |       |        | FOUL by COSPER,DEVIN                  |
| GOOD! FT by CUEVAS-MOORE,BIANCA      | 02:17 | 32-61 | V 29   |                                       |
| GOOD! FT by CUEVAS-MOORE,BIANCA      | 02:17 | 32-62 | V 30   |                                       |
| SUB IN: DAVIS,KAELA                  | 02:17 |       |        |                                       |
| SUB OUT: GRAY,ALLISHA                | 02:17 |       |        |                                       |
|                                      | 01:48 |       |        | MISSED 3PTR by COSPER,DEVIN           |
| REBOUND (DEF) by CUEVAS-MOORE,BIANCA | 01:48 |       |        |                                       |
|                                      | 01:42 |       |        | FOUL by MONK,MALICA                   |
| GOOD! FT by CUEVAS-MOORE,BIANCA      | 01:42 | 32-63 | V 31   |                                       |
| GOOD! FT by CUEVAS-MOORE,BIANCA      | 01:42 | 32-64 | V 32   |                                       |
|                                      | 01:42 |       |        | SUB IN: ZIMMERMAN,BAILEY              |
|                                      | 01:42 |       |        | SUB IN: WILLIAMS,KIARA                |
|                                      | 01:42 |       |        | SUB OUT: COOLEY,ALECIA                |
|                                      | 01:42 |       |        | SUB OUT: MASON,JAILYN                 |
|                                      | 01:17 |       |        | TURNOVER by MONK,MALICA               |
| STEAL by CLINEY,DONIYAH              | 01:15 |       |        |                                       |
| MISSED JUMPER by CLINEY,DONIYAH      | 00:52 |       |        |                                       |
|                                      | 00:52 |       |        | REBOUND (DEF) by ZIMMERMAN,BAILEY     |
| FOUL by CLINEY,DONIYAH               | 00:50 |       |        |                                       |
|                                      | 00:50 | 33-64 | V 31   | GOOD! FT by ZIMMERMAN,BAILEY          |
|                                      | 00:50 | 34-64 | V 30   | GOOD! FT by ZIMMERMAN,BAILEY          |
| GOOD! JUMPER by DAVIS,KAELA          | 00:28 | 34-66 | V 32   |                                       |
|                                      | 00:03 |       |        | MISSED 3PTR by ZIMMERMAN,BAILEY       |
| REBOUND (DEF) by DAVIS,KAELA         | 00:03 |       |        |                                       |

SC 79, ARKANSAS 49

| Period 3-only | In Paint | Off T/O | 2nd Chance | Fast Break | Bench |                        |
|---------------|----------|---------|------------|------------|-------|------------------------|
| SC            | 8        | 4       | 7          | 0          | 4     | Score tied - 0 times   |
| AR            | 2        | 3       | 0          | 2          | 2     | Lead changed - 0 times |

**SC vs ARKANSAS**  
**2/5/2017; 1 p.m. at Fayetteville, Ark. (Bud Walton Arena)**  
**Period 4 Play-By-Play**

| VISITORS: SC                            | Time  | Score | Margin | HOME: ARKANSAS                       |
|---|-------|-------|--------|--------------------------------------|
| SUB IN: CLINEY,DONIYAH                  | 10:00 |       |        |                                      |
| SUB IN: CUEVAS-MOORE,BIANCA             | 10:00 |       |        |                                      |
| SUB IN: HERBERT HARRIGAN,M              | 10:00 |       |        |                                      |
| SUB OUT: GRAY,ALLISHA                   | 10:00 |       |        |                                      |
| SUB OUT: WILSON,A'JA                    | 10:00 |       |        |                                      |
| SUB OUT: HARRIS,TYASHA                  | 10:00 |       |        |                                      |
|   | 10:00 |       |        | SUB IN: COSPER,DEVIN                 |
|   | 10:00 |       |        | SUB IN: SWENSON,KEIRYN               |
|   | 10:00 |       |        | SUB OUT: JACKSON,JESSICA             |
|   | 10:00 |       |        | SUB OUT: MONK,MALICA                 |
|   | 09:44 | 37-66 | V 29   | GOOD! 3PTR by MASON,JAILYN           |
|   | 09:44 |       |        | ASSIST by COSPER,DEVIN               |
| MISSED JUMPER by DAVIS,KAELA            | 09:20 |       |        |                                      |
| REBOUND (OFF) by CLINEY,DONIYAH         | 09:20 |       |        |                                      |
| MISSED JUMPER by DAVIS,KAELA            | 09:02 |       |        |                                      |
| REBOUND (OFF) by COATES,ALAINA          | 09:02 |       |        |                                      |
| MISSED JUMPER by COATES,ALAINA          | 09:00 |       |        |                                      |
|   | 09:00 |       |        | REBOUND (DEF) by COSPER,DEVIN        |
| FOUL by DAVIS,KAELA                     | 08:58 |       |        |                                      |
|   | 08:58 |       |        | SUB IN: WILSON,AALIYAH               |
|   | 08:58 |       |        | SUB OUT: COSPER,DEVIN                |
|   | 08:47 |       |        | TURNOVER by MASON,JAILYN             |
| STEAL by CLINEY,DONIYAH                 | 08:46 |       |        |                                      |
| GOOD! LAYUP by COATES,ALAINA [PNT]      | 08:35 | 37-68 | V 31   |                                      |
| ASSIST by DAVIS,KAELA                   | 08:35 |       |        |                                      |
|   | 08:21 |       |        | MISSED 3PTR by SWENSON,KEIRYN        |
| REBOUND (DEF) by HERBERT HARRIGAN,M     | 08:21 |       |        |                                      |
| MISSED JUMPER by CUEVAS-MOORE,BIANCA    | 08:14 |       |        |                                      |
|   | 08:14 |       |        | REBOUND (DEF) by ZIMMERMAN,BAILEY    |
|   | 08:05 |       |        | MISSED 3PTR by WILSON,AALIYAH        |
| REBOUND (DEF) by COATES,ALAINA          | 08:05 |       |        |                                      |
| GOOD! LAYUP by HERBERT HARRIGAN,M [PNT] | 07:53 | 37-70 | V 33   |                                      |
|   | 07:52 |       |        | FOUL by SWENSON,KEIRYN               |
| MISSED FT by HERBERT HARRIGAN,M         | 07:52 |       |        |                                      |
| REBOUND (OFF) by COATES,ALAINA          | 07:52 |       |        |                                      |
|   | 07:52 |       |        | SUB IN: JACKSON,JESSICA              |
|   | 07:52 |       |        | SUB IN: MONK,MALICA                  |
|   | 07:52 |       |        | SUB OUT: SWENSON,KEIRYN              |
|   | 07:52 |       |        | SUB OUT: MASON,JAILYN                |
| MISSED 3PTR by DAVIS,KAELA              | 07:44 |       |        |                                      |
| REBOUND (OFF) by CLINEY,DONIYAH         | 07:44 |       |        |                                      |
| TURNOVER by CLINEY,DONIYAH              | 07:40 |       |        |                                      |
|   | 07:40 |       |        | STEAL by WILLIAMS,KIARA              |
|   | 07:19 |       |        | MISSED JUMPER by WILLIAMS,KIARA      |
| BLOCK by HERBERT HARRIGAN,M             | 07:19 |       |        |                                      |
|   | 07:18 |       |        | REBOUND (OFF) by WILLIAMS,KIARA      |
| FOUL by COATES,ALAINA                   | 07:17 |       |        |                                      |
|   | 07:17 | 38-70 | V 32   | GOOD! FT by WILLIAMS,KIARA           |
|   | 07:17 | 39-70 | V 31   | GOOD! FT by WILLIAMS,KIARA           |
|   | 06:59 |       |        | FOUL by WILLIAMS,KIARA               |
| MISSED JUMPER by HERBERT HARRIGAN,M     | 06:52 |       |        |                                      |
|   | 06:52 |       |        | REBOUND (DEF) by WILLIAMS,KIARA      |
|   | 06:35 | 41-70 | V 29   | GOOD! JUMPER by WILLIAMS,KIARA [PNT] |
|   | 06:35 |       |        | ASSIST by MONK,MALICA                |
|   | 06:34 |       |        | TIMEOUT 30SEC                        |
| SUB IN: BRADSHAW,ARAION                 | 06:34 |       |        |                                      |
| SUB OUT: CUEVAS-MOORE,BIANCA            | 06:34 |       |        |                                      |
| TURNOVER by BRADSHAW,ARAION             | 06:24 |       |        |                                      |
|   | 06:23 |       |        | STEAL by MONK,MALICA                 |

| VISITORS: SC                             | Time  | Score | Margin | HOME: ARKANSAS                   |
|--|-------|-------|--------|----------------------------------|
|  | 06:18 |       |        | MISSED JUMPER by MONK,MALICA     |
| REBOUND (DEF) by COATES,ALAINA           | 06:18 |       |        |                                  |
| FOUL by HERBERT HARRIGAN,M               | 06:04 |       |        |                                  |
| TURNOVER by HERBERT HARRIGAN,M           | 06:04 |       |        |                                  |
|  | 05:43 |       |        | MISSED 3PTR by ZIMMERMAN,BAILEY  |
|  | 05:43 |       |        | REBOUND (OFF) by JACKSON,JESSICA |
|  | 05:39 |       |        | MISSED JUMPER by JACKSON,JESSICA |
| REBOUND (DEF) by BRADSHAW,ARAION         | 05:39 |       |        |                                  |
| FOUL by HERBERT HARRIGAN,M               | 05:13 |       |        |                                  |
| TURNOVER by HERBERT HARRIGAN,M           | 05:13 |       |        |                                  |
| SUB IN: PATRICK,VICTORIA                 | 05:13 |       |        |                                  |
| SUB OUT: DAVIS,KAELA                     | 05:13 |       |        |                                  |
|  | 04:57 |       |        | MISSED 3PTR by JACKSON,JESSICA   |
|  | 04:57 |       |        | REBOUND (OFF) by TEAM            |
|  | 04:55 |       |        | TIMEOUT media                    |
|  | 04:55 |       |        | SUB IN: SWENSON,KEIRYN           |
|  | 04:55 |       |        | SUB OUT: JACKSON,JESSICA         |
|  | 04:53 | 44-70 | V 26   | GOOD! 3PTR by WILSON,AALIYAH     |
|  | 04:53 |       |        | ASSIST by MONK,MALICA            |
|  | 04:51 |       |        | TIMEOUT 30SEC                    |
|  | 04:48 |       |        | FOUL by WILLIAMS,KIARA           |
| TIMEOUT 30SEC                            | 04:45 |       |        |                                  |
|  | 04:23 |       |        | FOUL by MONK,MALICA              |
| TURNOVER by TEAM                         | 04:23 |       |        |                                  |
| SUB IN: CUEVAS-MOORE,BIANCA              | 04:23 |       |        |                                  |
| SUB OUT: COATES,ALAINA                   | 04:23 |       |        |                                  |
|  | 04:10 | 47-70 | V 23   | GOOD! 3PTR by WILSON,AALIYAH     |
|  | 04:10 |       |        | ASSIST by SWENSON,KEIRYN         |
| MISSED JUMPER by CLINEY,DONIAH           | 03:37 |       |        |                                  |
| REBOUND (OFF) by BRADSHAW,ARAION         | 03:37 |       |        |                                  |
| TURNOVER by HERBERT HARRIGAN,M           | 03:21 |       |        |                                  |
|  | 02:59 | 49-70 | V 21   | GOOD! JUMPER by SWENSON,KEIRYN   |
|  | 02:59 |       |        | ASSIST by WILSON,AALIYAH         |
|  | 02:57 |       |        | TIMEOUT TEAM                     |
| MISSED JUMPER by BRADSHAW,ARAION         | 02:35 |       |        |                                  |
|  | 02:35 |       |        | REBOUND (DEF) by MONK,MALICA     |
|  | 02:29 |       |        | MISSED JUMPER by MONK,MALICA     |
| BLOCK by HERBERT HARRIGAN,M              | 02:29 |       |        |                                  |
| REBOUND (DEF) by CUEVAS-MOORE,BIANCA     | 02:27 |       |        |                                  |
|  | 02:06 |       |        | FOUL by MONK,MALICA              |
| GOOD! FT by CUEVAS-MOORE,BIANCA          | 02:06 | 49-71 | V 22   |                                  |
| GOOD! FT by CUEVAS-MOORE,BIANCA          | 02:06 | 49-72 | V 23   |                                  |
|  | 02:06 |       |        | SUB IN: MASON,JAILYN             |
|  | 02:06 |       |        | SUB IN: STOUT,SYDNEY             |
|  | 02:06 |       |        | SUB OUT: WILLIAMS,KIARA          |
|  | 02:06 |       |        | SUB OUT: MONK,MALICA             |
|  | 01:54 |       |        | MISSED 3PTR by SWENSON,KEIRYN    |
| REBOUND (DEF) by HERBERT HARRIGAN,M      | 01:54 |       |        |                                  |
| MISSED JUMPER by BRADSHAW,ARAION         | 01:45 |       |        |                                  |
| REBOUND (OFF) by HERBERT HARRIGAN,M      | 01:45 |       |        |                                  |
| GOOD! JUMPER by HERBERT HARRIGAN,M [PNT] | 01:43 | 49-74 | V 25   |                                  |
|  | 01:28 |       |        | TURNOVER by WILSON,AALIYAH       |
| STEAL by HERBERT HARRIGAN,M              | 01:26 |       |        |                                  |
| GOOD! 3PTR by PATRICK,VICTORIA [FB]      | 01:23 | 49-77 | V 28   |                                  |
| ASSIST by BRADSHAW,ARAION                | 01:23 |       |        |                                  |
|  | 01:06 |       |        | MISSED 3PTR by MASON,JAILYN      |
| REBOUND (DEF) by HERBERT HARRIGAN,M      | 01:06 |       |        |                                  |
| GOOD! LAYUP by CUEVAS-MOORE,BIANCA [PNT] | 00:43 | 49-79 | V 30   |                                  |
|  | 00:14 |       |        | MISSED 3PTR by WILSON,AALIYAH    |
| REBOUND (DEF) by BRADSHAW,ARAION         | 00:14 |       |        |                                  |

| <b>Period 4-only</b> | <b>In<br/>Paint</b> | <b>Off<br/>T/O</b> | <b>2nd<br/>Chance</b> | <b>Fast<br/>Break</b> | <b>Bench</b> |                        |
|----------------------|---------------------|--------------------|-----------------------|-----------------------|--------------|------------------------|
| SC                   | 8                   | 5                  | 2                     | 3                     | 11           | Score tied - 0 times   |
| AR                   | 2                   | 10                 | 5                     | 0                     | 8            | Lead changed - 0 times |

**SC vs ARKANSAS**  
**2/5/2017; 1 p.m. at Fayetteville, Ark. (Bud Walton Arena)**  
**Scoring/Runs Reference**

Period 1

| SC                             | Score | Marg        | ARKANSAS                     |
|--------------------------------|-------|-------------|------------------------------|
| 08:35 - WILSON FT              | 1     | 1-0 -1      |                              |
| 08:13 - DAVIS 3PTR             | 3     | 4-0 -4      |                              |
| 07:19 - DAVIS 3PTR             | 3     | 7-0 -7      |                              |
|                                |       | 7-2 -5 2    | MONK LAYUP [P]<br>- 06:51    |
| 06:38 - COATES JUMPER [P]      | 2     | 9-2 -7      |                              |
| 06:04 - COATES LAYUP [P]       | 2     | 11-2 -9     |                              |
| 05:28 - COATES LAYUP [P]       | 2     | 13-2 -11    |                              |
|                                |       | 13-5 -8 3   | WILSON 3PTR - 05:08          |
| 03:02 - WILSON FT              | 1     | 14-5 -9     |                              |
| 03:02 - WILSON FT              | 1     | 15-5 -10    |                              |
| 02:46 - DAVIS LAYUP [P] [F]    | 2     | 17-5 -12    |                              |
| 02:10 - COATES LAYUP [P]       | 2     | 19-5 -14    |                              |
|                                |       | 19-7 -12 2  | COOLEY JUMPER [P]<br>- 01:41 |
| 01:00 - CUEVAS-MOORE LAYUP [P] | 2     | 21-7 -14    |                              |
|                                |       | 21-10 -11 3 | COSPER 3PTR - 00:39          |

Period 2

| SC                              | Score | Marg        | ARKANSAS                      |
|---------------------------------|-------|-------------|-------------------------------|
|                                 |       | 21-12 -9 2  | SWENSON JUMPER - 09:43        |
| 09:15 - GRAY LAYUP [P]          | 2     | 23-12 -11   |                               |
|                                 |       | 23-14 -9 2  | SWENSON JUMPER [P]<br>- 08:56 |
| 08:28 - GRAY 3PTR               | 3     | 26-14 -12   |                               |
| 08:07 - GRAY LAYUP [P] [F]      | 2     | 28-14 -14   |                               |
| 07:28 - WILSON FT               | 1     | 29-14 -15   |                               |
|                                 |       | 29-16 -13 2 | WILSON JUMPER - 07:11         |
| 06:41 - WILSON LAYUP [P]        | 2     | 31-16 -15   |                               |
| 05:56 - WILSON LAYUP [P]        | 2     | 33-16 -17   |                               |
|                                 |       | 33-18 -15 2 | WILSON JUMPER [P]<br>- 05:36  |
|                                 |       | 33-20 -13 2 | COOLEY JUMPER [P]<br>- 04:49  |
|                                 |       | 33-21 -12 1 | WILSON FT - 04:28             |
| 04:09 - WILSON LAYUP [P]        | 2     | 35-21 -14   |                               |
| 03:33 - HARRIS JUMPER [F]       | 2     | 37-21 -16   |                               |
|                                 |       | 37-23 -14 2 | JACKSON JUMPER [P]<br>- 03:09 |
| 02:54 - COATES LAYUP [P]        | 2     | 39-23 -16   |                               |
|                                 |       | 39-25 -14 2 | WILSON JUMPER [P]<br>- 01:44  |
| 01:11 - HERBERT HARRIGAN JUMPER | 2     | 41-25 -16   |                               |
| 00:23 - HARRIS FT               | 1     | 42-25 -17   |                               |
| 00:23 - HARRIS FT               | 1     | 43-25 -18   |                               |

Period 3

| SC                        | Score | Marg  | ARKANSAS                       |
|---------------------------|-------|-------|--------------------------------|
|                           | 43-28 | -15   | 3 ZIMMERMAN 3PTR - 09:31       |
| 09:16 - COATES LAYUP [P]  | 2     | 45-28 | -17                            |
| 08:21 - WILSON LAYUP [P]  | 2     | 47-28 | -19                            |
|                           | 47-29 | -18   | 1 ZIMMERMAN FT - 07:33         |
|                           | 47-30 | -17   | 1 ZIMMERMAN FT - 07:33         |
| 07:11 - GRAY 3PTR         | 3     | 50-30 | -20                            |
| 06:34 - COATES JUMPER [P] | 2     | 52-30 | -22                            |
| 05:56 - WILSON FT         | 1     | 53-30 | -23                            |
| 05:56 - WILSON FT         | 1     | 54-30 | -24                            |
| 05:32 - COATES FT         | 1     | 55-30 | -25                            |
| 05:32 - COATES FT         | 1     | 56-30 | -26                            |
| 04:31 - WILSON LAYUP [P]  | 2     | 58-30 | -28                            |
|                           | 58-32 | -26   | 2 COOLEY LAYUP [P] [F] - 03:42 |
| 02:47 - WILSON FT         | 1     | 59-32 | -27                            |
| 02:47 - WILSON FT         | 1     | 60-32 | -28                            |
| 02:17 - CUEVAS-MOORE FT   | 1     | 61-32 | -29                            |
| 02:17 - CUEVAS-MOORE FT   | 1     | 62-32 | -30                            |
| 01:42 - CUEVAS-MOORE FT   | 1     | 63-32 | -31                            |
| 01:42 - CUEVAS-MOORE FT   | 1     | 64-32 | -32                            |
|                           | 64-33 | -31   | 1 ZIMMERMAN FT - 00:50         |
|                           | 64-34 | -30   | 1 ZIMMERMAN FT - 00:50         |
| 00:28 - DAVIS JUMPER      | 2     | 66-34 | -32                            |

Period 4

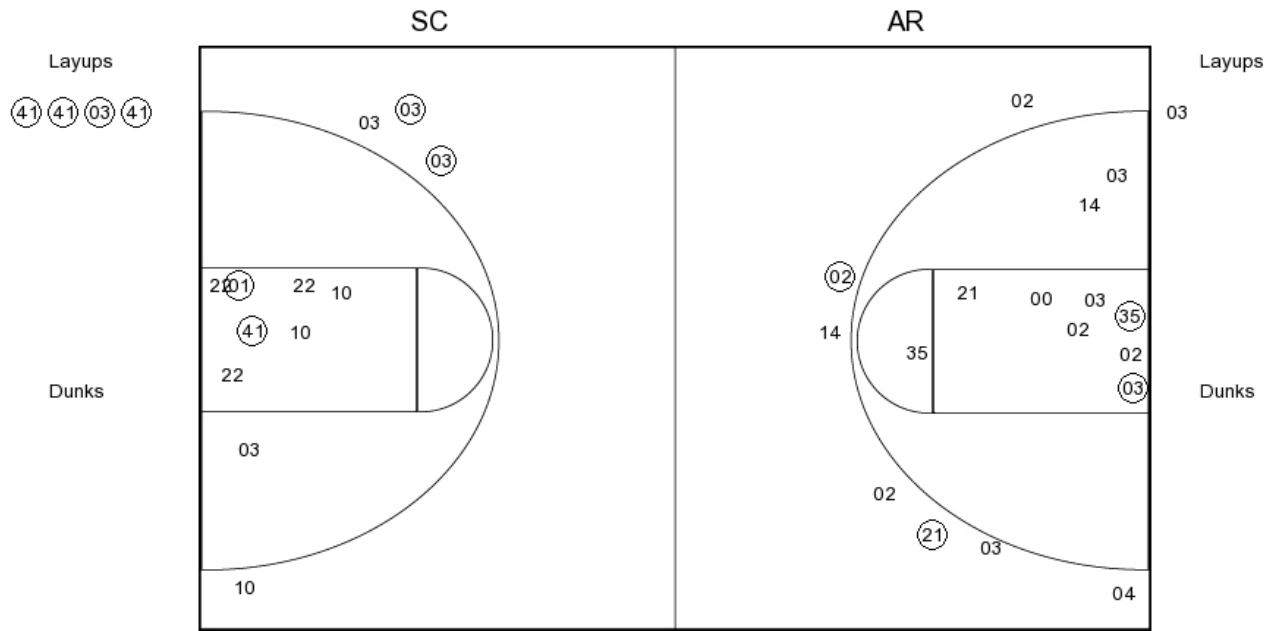
| SC                                  | Score | Marg  | ARKANSAS                      |
|-------------------------------------|-------|-------|-------------------------------|
|                                     | 66-37 | -29   | 3 MASON 3PTR - 09:44          |
| 08:35 - COATES LAYUP [P]            | 2     | 68-37 | -31                           |
| 07:53 - HERBERT HARRIGAN LAYUP [P]  | 2     | 70-37 | -33                           |
|                                     | 70-38 | -32   | 1 WILLIAMS FT - 07:17         |
|                                     | 70-39 | -31   | 1 WILLIAMS FT - 07:17         |
|                                     | 70-41 | -29   | 2 WILLIAMS JUMPER [P] - 06:35 |
|                                     | 70-44 | -26   | 3 WILSON 3PTR - 04:53         |
|                                     | 70-47 | -23   | 3 WILSON 3PTR - 04:10         |
|                                     | 70-49 | -21   | 2 SWENSON JUMPER - 02:59      |
| 02:06 - CUEVAS-MOORE FT             | 1     | 71-49 | -22                           |
| 02:06 - CUEVAS-MOORE FT             | 1     | 72-49 | -23                           |
| 01:43 - HERBERT HARRIGAN JUMPER [P] | 2     | 74-49 | -25                           |
| 01:23 - PATRICK 3PTR [F]            | 3     | 77-49 | -28                           |
| 00:43 - CUEVAS-MOORE LAYUP [P]      | 2     | 79-49 | -30                           |



**SC vs ARKANSAS**  
**OFFICIAL SHOT CHART**

2/5/2017 at Fayetteville, Ark. (Bud Walton Arena)

**PERIOD 1**



**SC PERIOD 1**

|                |    |
|----------------|----|
| FG Made        | 17 |
| FG Attempted   | 33 |
| 3PFG Made      | 3  |
| 3PFG Attempted | 8  |

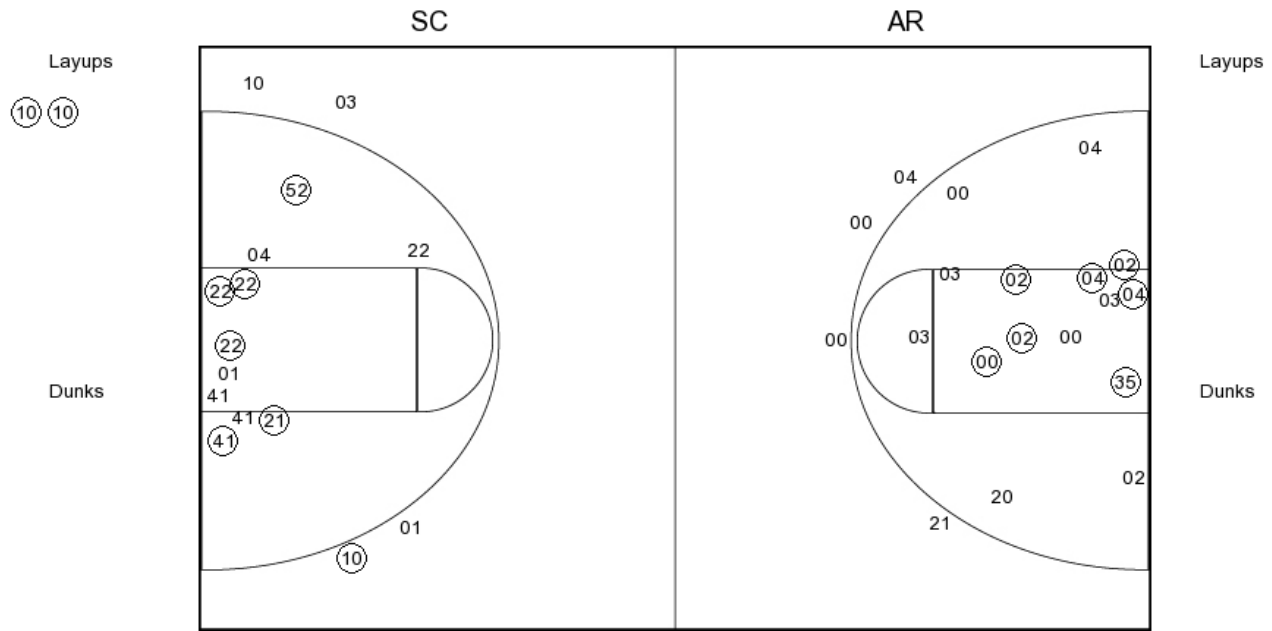
**AR PERIOD 1**

|                |    |
|----------------|----|
| FG Made        | 11 |
| FG Attempted   | 37 |
| 3PFG Made      | 2  |
| 3PFG Attempted | 11 |

**SC vs ARKANSAS**  
**OFFICIAL SHOT CHART**

2/5/2017 at Fayetteville, Ark. (Bud Walton Arena)

**PERIOD 2**



**SC PERIOD 2**

FG Made  
 FG Attempted  
 3PFG Made  
 3PFG Attempted

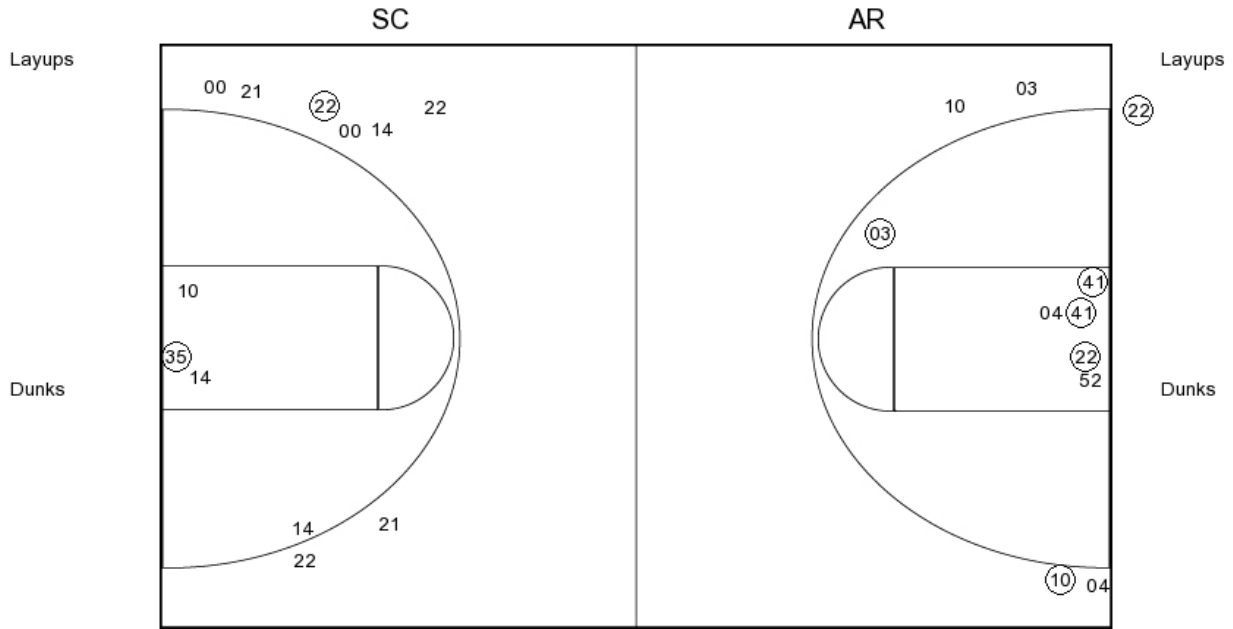
**AR PERIOD 2**

FG Made  
 FG Attempted  
 3PFG Made  
 3PFG Attempted

**SC vs ARKANSAS**  
**OFFICIAL SHOT CHART**

2/5/2017 at Fayetteville, Ark. (Bud Walton Arena)

**PERIOD 3**



**SC PERIOD 3**

|                |    |
|----------------|----|
| FG Made        | 11 |
| FG Attempted   | 25 |
| 3PFG Made      | 2  |
| 3PFG Attempted | 6  |

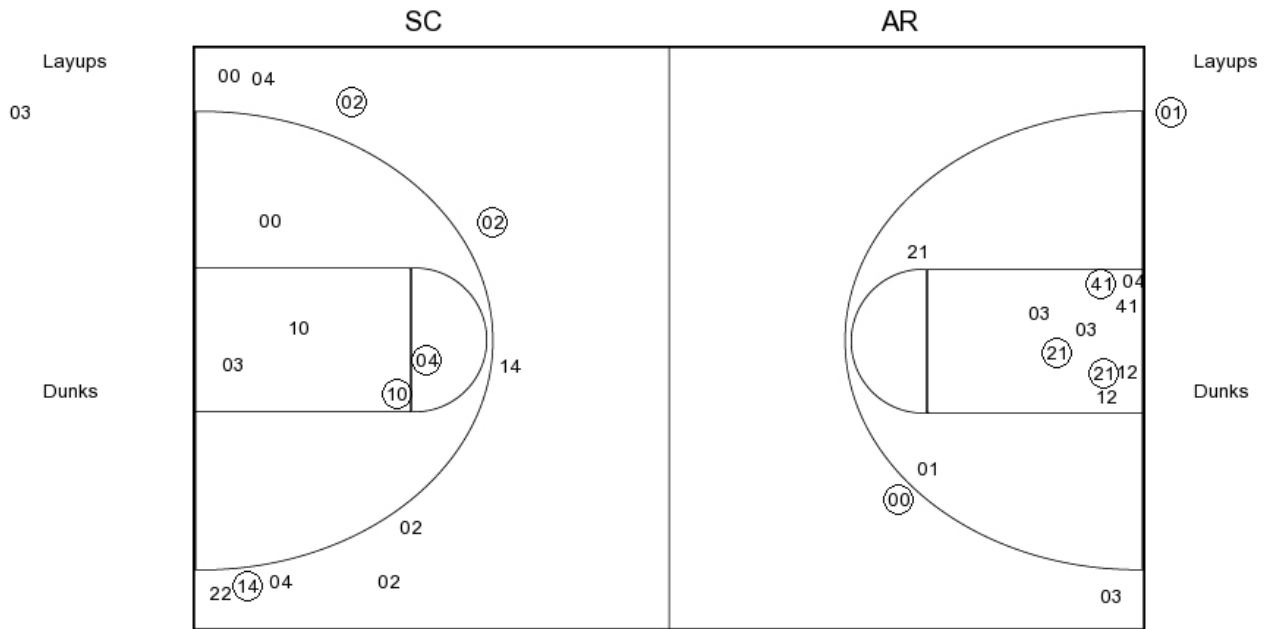
**AR PERIOD 3**

|                |    |
|----------------|----|
| FG Made        | 7  |
| FG Attempted   | 28 |
| 3PFG Made      | 4  |
| 3PFG Attempted | 18 |

**SC vs ARKANSAS**  
**OFFICIAL SHOT CHART**

2/5/2017 at Fayetteville, Ark. (Bud Walton Arena)

**PERIOD 4**



**SC PERIOD 4**

FG Made  
 FG Attempted  
 3PFG Made  
 3PFG Attempted

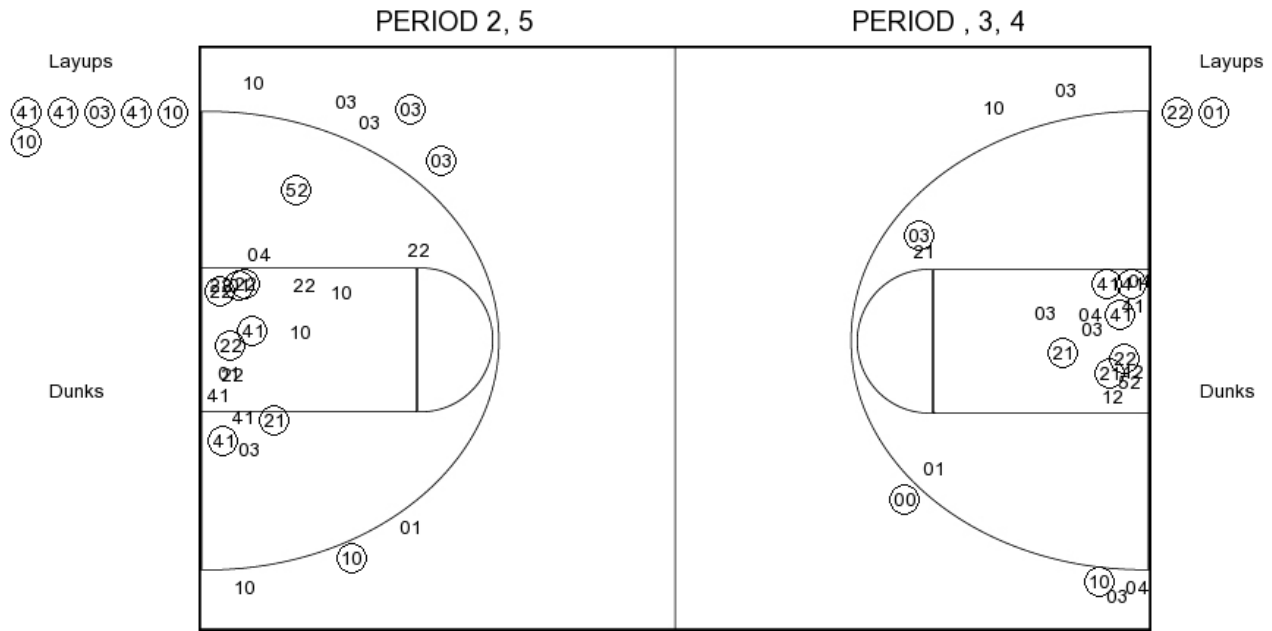
**AR PERIOD 4**

FG Made  
 FG Attempted  
 3PFG Made  
 3PFG Attempted

**SC vs ARKANSAS**  
**OFFICIAL SHOT CHART**

2/5/2017 at Fayetteville, Ark. (Bud Walton Arena)

**SC**



**SC PERIOD 1**

|                |    |
|----------------|----|
| FG Made        | 17 |
| FG Attempted   | 33 |
| 3PFG Made      | 3  |
| 3PFG Attempted | 8  |

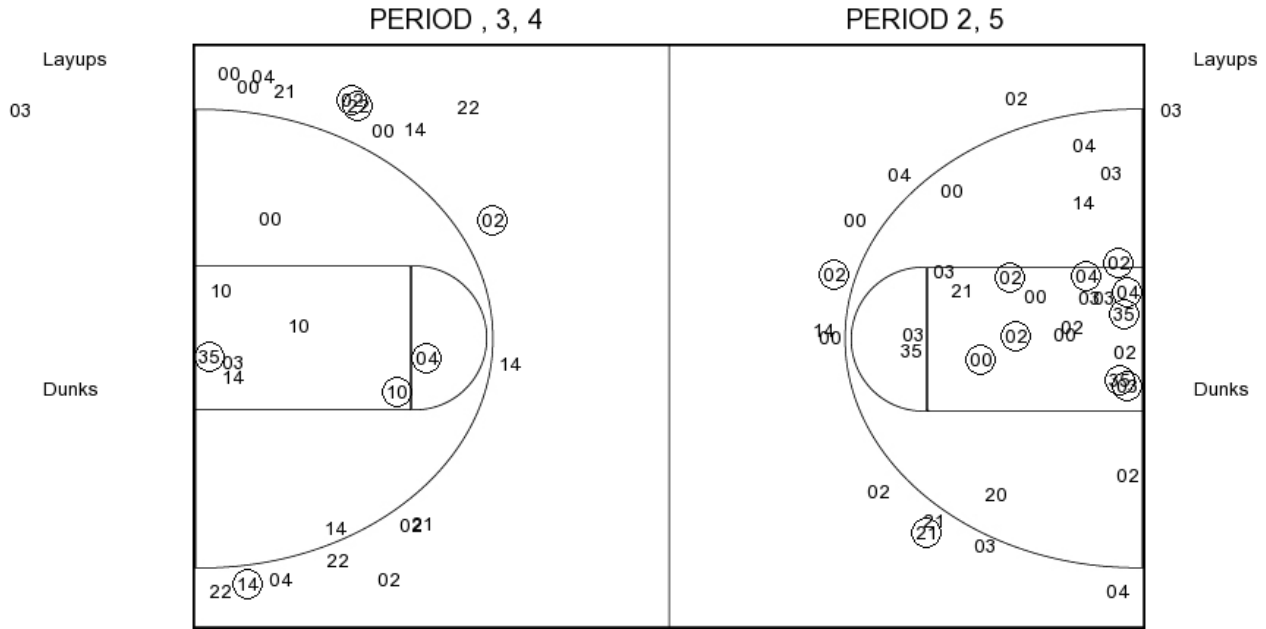
**SC PERIOD 2**

|                |  |
|----------------|--|
| FG Made        |  |
| FG Attempted   |  |
| 3PFG Made      |  |
| 3PFG Attempted |  |

**SC vs ARKANSAS**  
**OFFICIAL SHOT CHART**

2/5/2017 at Fayetteville, Ark. (Bud Walton Arena)

**ARKANSAS**



**AR PERIOD 1**

FG Made 11  
 FG Attempted 37  
 3PFG Made 2  
 3PFG Attempted 11

**AR PERIOD 2**

FG Made  
 FG Attempted  
 3PFG Made  
 3PFG Attempted