

NORTHWESTERN OKLAHOMA STATE AT HARDING



1/28/2016

Searcy, Ark. (Rhodes-Reaves Field House)

FINAL STATS

Harding

(10-6, 9-2 GAC)

84

Northwestern Okla.

(5-10, 5-6 GAC)

64

Start Time: 7:30 p.m.

Officials: Rick Jones, Alex Manuel and Barry Sturges

Attendance: 1046

Official Basketball Box Score -- Game Totals -- Final Statistics
Northwestern Okla. vs Harding
1/28/2016 7:30 p.m. at Searcy, Ark. (Rhodes-Reaves Field House)

Northwestern Okla. 64 - 5-10, 5-6 GAC

##	Player	S	Total			Rebounds			PF	TP	A	TO	Blk	Stl	Min
			FG-FGA	3PT	FG-FGA	FT-FTA	Off Reb	Def Reb							
02	KLUG,AUSTIN	f	3-8	0-0	0-0	3	2	5	3	6	1	0	0	1	21
05	HENDERSON,LAAKEEM	g	2-7	0-2	0-0	2	2	4	1	4	2	1	0	2	22
10	TAYLOR,T'ARIES	g	2-8	1-6	0-0	0	2	2	3	5	1	2	0	4	35
11	GREEN,BRANDON	g	2-7	0-0	0-0	0	3	3	4	4	1	3	0	1	22
15	MOTLEY,ADRIAN	f	6-14	0-2	3-6	4	9	13	4	15	0	5	0	0	31
01	MARTIN,DEIONDRAY		0-2	0-1	7-8	2	2	4	0	7	0	2	0	0	18
14	DUMAS,ZACH		6-14	1-6	8-14	0	1	1	4	21	3	4	0	1	30
20	LAFOND,JAMAL		0-1	0-1	0-0	0	1	1	0	0	0	0	0	1	6
24	JOHNSON,TREVOR		1-3	0-2	0-0	1	1	2	0	2	0	1	0	0	11
25	ADENIRAN,DANIEL		0-0	0-0	0-0	0	0	0	0	0	0	0	0	0	0
32	HARKINS,KEVIN		0-0	0-0	0-0	0	0	0	0	0	0	0	0	0	3
TEAM						4	0	4	0		0				
TOTALS			22-64	2-20	18-28	16	23	39	19	64	8	18	0	10	199

Deadball Rebounds: 5,1

FG %	1st Half:	12-33	36.4%	2nd Half:	10-31	32.3%	Game:	22-64	34.4%
3FG %	1st Half:	2-12	16.7%	2nd Half:	0-8	00.0%	Game:	2-20	10.0%
FT %	1st Half:	5-10	50.0%	2nd Half:	13-18	72.2%	Game:	18-28	64.3%

Harding 84 - 10-6, 9-2 GAC

##	Player	S	Total			Rebounds			PF	TP	A	TO	Blk	Stl	Min
			FG-FGA	3PT	FG-FGA	FT-FTA	Off Reb	Def Reb							
03	ANTHONY,REGGIE	g	6-14	1-2	2-4	1	1	2	1	15	3	4	2	1	36
15	GIBSON,JACOB	g	5-9	2-5	4-4	2	4	6	3	16	1	2	0	2	34
21	FRANCIS,WILL	g	7-12	0-1	2-2	1	3	4	4	16	7	5	0	1	37
23	MCNAIR,BLAKE	g	7-11	4-5	6-8	1	9	10	3	24	1	2	0	1	36
50	EGGLESTON,BRADEN	f	0-2	0-0	0-0	0	1	1	0	0	1	0	0	0	8
02	BAILEY,MICAH		0-1	0-1	0-0	0	1	1	1	0	1	0	0	0	3
04	WARD,ZAC		0-0	0-0	0-0	0	2	2	1	0	1	1	0	0	13
22	HUDSON,JOHN		0-0	0-0	0-0	0	1	1	0	0	0	0	0	0	4
24	BURRELL,ANTOINE		0-0	0-0	0-0	0	0	0	1	0	0	0	0	0	3
42	ANDELKOVIC,STEFAN		6-11	1-4	0-0	3	7	10	5	13	1	4	0	0	26
TEAM						0	1	1	0		1				
TOTALS			31-60	8-18	14-18	8	30	38	19	84	16	19	2	5	200

Deadball Rebounds: 1,1

FG %	1st Half:	16-32	50.0%	2nd Half:	15-28	53.6%	Game:	31-60	51.7%
3FG %	1st Half:	2-6	33.3%	2nd Half:	6-12	50.0%	Game:	8-18	44.4%
FT %	1st Half:	2-3	66.7%	2nd Half:	12-15	80.0%	Game:	14-18	77.8%

Officials: Rick Jones, Alex Manuel and Barry Sturges
 Technical Fouls: Northwestern Okla.- None. Harding- None.
 Attendance: 1046

Score by periods	1st	2nd	Total
Northwestern Okla.	31	33	64
Harding	36	48	84

Points	In Paint	Off T/O	2nd Chance	Fast Break	Bench
NWOSUM	28	9	14	2	30
HU	38	21	14	4	13

Last FG - NWOSUM 2nd-00:06, HU 2nd-01:02.
 Largest lead - Northwestern Okla. by 2 1st-19:52; Harding by 22 2nd-01:02
 NWOSUM led for 0:49. HU led for 36:38. Game was tied for 2:33.

Score tied - 2 times
 Lead changed - 3 times

Official Basketball Box Score -- Game Totals -- First Half Statistics
Northwestern Okla. vs Harding
1/28/2016 7:30 p.m. at Searcy, Ark. (Rhodes-Reaves Field House)

Northwestern Okla., 31, 5-10, 5-6 GAC

##	Player	S	Total			Rebounds			PF	TP	A	T	O	Blk	Stl	Min
			FG-FGA	3PT	FG-FGA	FT-FTA	Off Reb	Def Reb								
02	KLUG,AUSTIN	f	0-1	0-0	0-0	1	0	1	2	0	0	0	0	0	0	7
05	HENDERSON,LAAKEEM	g	2-4	0-1	0-0	1	1	2	0	4	2	1	0	1	13	
10	TAYLOR,T'ARIES	g	2-6	1-4	0-0	0	1	1	0	5	1	0	0	3	18	
11	GREEN,BRANDON	g	0-2	0-0	0-0	0	0	0	2	0	1	1	0	0	8	
15	MOTLEY,ADRIAN	f	4-9	0-1	0-2	1	6	7	2	8	0	3	0	0	18	
01	MARTIN,DEIONDRAY		0-1	0-1	4-4	2	1	3	0	4	0	0	0	0	10	
14	DUMAS,ZACH		4-9	1-4	1-4	0	0	0	2	10	0	2	0	1	12	
20	LAFOND,JAMAL		0-0	0-0	0-0	0	1	1	0	0	0	0	0	1	4	
24	JOHNSON,TREVOR		0-1	0-1	0-0	1	1	2	0	0	0	0	0	0	7	
25	ADENIRAN,DANIEL		0-0	0-0	0-0	0	0	0	0	0	0	0	0	0	0	
32	HARKINS,KEVIN		0-0	0-0	0-0	0	0	0	0	0	0	0	0	0	3	
TEAM						1	0	1	0							
Totals			12-33	2-12	5-10	7	11	18	8	31	4	7	0	6	100	
FG %	Half:	12-33				36.4%										
3FG %	Half:	2-12				16.7%										
FT %	Half:	5-10				50.0%										

Harding, 36, 10-6, 9-2 GAC

##	Player	S	Total			Rebounds			PF	TP	A	T	O	Blk	Stl	Min
			FG-FGA	3PT	FG-FGA	FT-FTA	Off Reb	Def Reb								
03	ANTHONY,REGGIE	g	2-6	0-0	0-1	1	1	2	0	4	2	1	1	0	16	
15	GIBSON,JACOB	g	3-5	0-1	2-2	1	1	2	2	8	0	1	0	0	14	
21	FRANCIS,WILL	g	3-6	0-0	0-0	1	3	4	0	6	3	2	0	1	17	
23	MCNAIR,BLAKE	g	3-5	1-2	0-0	0	5	5	1	7	0	2	0	0	16	
50	EGGLESTON,BRADEN	f	0-1	0-0	0-0	0	0	0	0	0	0	0	0	0	4	
02	BAILEY,MICAH		0-1	0-1	0-0	0	1	1	1	0	1	0	0	0	3	
04	WARD,ZAC		0-0	0-0	0-0	0	0	0	1	0	0	1	0	0	10	
22	HUDSON,JOHN		0-0	0-0	0-0	0	1	1	0	0	0	0	0	0	4	
24	BURRELL,ANTOINE		0-0	0-0	0-0	0	0	0	1	0	0	0	0	0	3	
42	ANDELKOVIC,STEFAN		5-8	1-2	0-0	2	2	4	2	11	0	2	0	0	13	
TEAM						0	1	1	0							
Totals			16-32	2-6	2-3	5	15	20	8	36	6	9	1	1	100	
FG %	Half:	16-32				50.0%										
3FG %	Half:	2-6				33.3%										
FT %	Half:	2-3				66.7%										

Officials: Rick Jones, Alex Manuel and Barry Sturges
 Technical Fouls: Northwestern Okla. - None. Harding- None.

Score by periods	1st	2nd	Total
Northwestern Okla.	31	33	64
Harding	36	48	84

Points	In Paint	Off T/O	2nd Chance	Fast Break	Bench
NWOSUM	14	3	5	2	14
HU	24	6	4	2	11

Last FG - NWOSUM 1st-01:33, HU 1st-00:41.
 NWOSUM led for 0:49. HU led for 16:38. Game was tied for 2:33.

Score tied - 2 times
 Lead changed - 3 times

Northwestern Okla. vs Harding
1/28/2016; 7:30 p.m. at Searcy, Ark. (Rhodes-Reaves Field House)
Period 1 Play-By-Play

VISITORS: Northwestern Okla.	Time	Score	Margin	HOME: Harding
GOOD! JUMPER by MOTLEY,ADRIAN	19:52	0-2	V 2	
ASSIST by TAYLOR,T'ARIES	19:52			
	19:31	2-2	T	GOOD! LAYUP by FRANCIS,WILL [PNT]
MISSED LAYUP by KLUG,AUSTIN	19:20			
	19:20			REBOUND (DEF) by MCNAIR,BLAKE
	19:13			MISSED LAYUP by GIBSON,JACOB
	19:13			REBOUND (OFF) by GIBSON,JACOB
	19:09			MISSED LAYUP by EGGLESTON,BRADEN
REBOUND (DEF) by MOTLEY,ADRIAN	19:09			
MISSED 3PTR by TAYLOR,T'ARIES	19:00			
REBOUND (OFF) by HENDERSON,LAAKEEM	19:00			
MISSED 3PTR by HENDERSON,LAAKEEM	18:39			
REBOUND (OFF) by MOTLEY,ADRIAN	18:39			
GOOD! LAYUP by MOTLEY,ADRIAN [PNT]	18:35	2-4	V 2	
	18:22	4-4	T	GOOD! LAYUP by FRANCIS,WILL [PNT]
MISSED JUMPER by GREEN,BRANDON	17:54			
	17:54			REBOUND (DEF) by MCNAIR,BLAKE
	17:45			MISSED 3PTR by GIBSON,JACOB
REBOUND (DEF) by TAYLOR,T'ARIES	17:45			
TURNOVER by MOTLEY,ADRIAN	17:25			
	17:17			TURNOVER by GIBSON,JACOB
MISSED JUMPER by MOTLEY,ADRIAN	17:01			
	17:01			REBOUND (DEF) by GIBSON,JACOB
	16:53	6-4	H 2	GOOD! LAYUP by ANTHONY,REGGIE [PNT]
FOUL by KLUG,AUSTIN	16:53			
	16:53			MISSED FT by ANTHONY,REGGIE
REBOUND (DEF) by MOTLEY,ADRIAN	16:53			
MISSED LAYUP by GREEN,BRANDON	16:37			
	16:37			BLOCK by ANTHONY,REGGIE
REBOUND (OFF) by TEAM	16:35			
MISSED 3PTR by TAYLOR,T'ARIES	16:24			
REBOUND (OFF) by KLUG,AUSTIN	16:24			
	16:21			FOUL by GIBSON,JACOB
GOOD! 3PTR by TAYLOR,T'ARIES	16:16	6-7	V 1	
ASSIST by HENDERSON,LAAKEEM	16:16			
FOUL by GREEN,BRANDON	16:05			
	16:05			SUB IN: ANDELKOVIC,STEFAN
	16:05			SUB OUT: EGGLESTON,BRADEN
	16:01	8-7	H 1	GOOD! LAYUP by MCNAIR,BLAKE [PNT]
	16:01			ASSIST by FRANCIS,WILL
FOUL by MOTLEY,ADRIAN	15:44			
TURNOVER by MOTLEY,ADRIAN	15:44			
	15:44			TIMEOUT media
SUB IN: DUMAS,ZACH	15:22			
SUB OUT: HENDERSON,LAAKEEM	15:22			
	15:20			MISSED JUMPER by ANTHONY,REGGIE
REBOUND (DEF) by MOTLEY,ADRIAN	15:20			
TURNOVER by DUMAS,ZACH	15:15			
	14:54			MISSED 3PTR by MCNAIR,BLAKE
REBOUND (DEF) by MOTLEY,ADRIAN	14:54			
TURNOVER by GREEN,BRANDON	14:33			
FOUL by GREEN,BRANDON	14:17			
SUB IN: JOHNSON,TREVOR	14:17			

VISITORS: Northwestern Okla.	Time	Score	Margin	HOME: Harding
SUB OUT: GREEN,BRANDON	14:17			
	14:07	10-7	H 3	GOOD! JUMPER by MCNAIR,BLAKE
MISSED 3PTR by JOHNSON,TREVOR	13:50			
REBOUND (OFF) by JOHNSON,TREVOR	13:50			
MISSED 3PTR by DUMAS,ZACH	13:42			
	13:42			REBOUND (DEADB) by TEAM
FOUL by KLUG,AUSTIN	13:39			
SUB IN: HARKINS,KEVIN	13:39			
SUB OUT: KLUG,AUSTIN	13:39			
	13:39			SUB IN: BAILEY,MICAH
	13:39			SUB IN: WARD,ZAC
	13:39			SUB OUT: GIBSON,JACOB
	13:39			SUB OUT: FRANCIS,WILL
	13:26			MISSED 3PTR by BAILEY,MICAH
REBOUND (DEADB) by TEAM	13:26			
	13:23			FOUL by BAILEY,MICAH
MISSED JUMPER by MOTLEY,ADRIAN	13:08			
	13:08			REBOUND (DEF) by BAILEY,MICAH
	12:42			TURNOVER by MCNAIR,BLAKE
STEAL by TAYLOR,T'ARIES	12:41			
MISSED LAYUP by TAYLOR,T'ARIES	12:39			
	12:39			REBOUND (DEF) by MCNAIR,BLAKE
	12:31			TURNOVER by ANTHONY,REGGIE
SUB IN: MARTIN,DEIONDRAY	12:31			
SUB OUT: TAYLOR,T'ARIES	12:31			
MISSED 3PTR by MOTLEY,ADRIAN	12:17			
REBOUND (OFF) by MARTIN,DEIONDRAY	12:17			
MISSED JUMPER by DUMAS,ZACH	12:09			
	12:09			REBOUND (DEF) by ANTHONY,REGGIE
	12:00			MISSED LAYUP by ANTHONY,REGGIE
	12:00			REBOUND (OFF) by ANTHONY,REGGIE
	11:56	12-7	H 5	GOOD! LAYUP by ANDELKOVIC,STEFAN [PNT]
	11:56			ASSIST by ANTHONY,REGGIE
MISSED 3PTR by MARTIN,DEIONDRAY	11:41			
	11:41			REBOUND (DEF) by TEAM
	11:39			TIMEOUT MEDIA
	11:17	14-7	H 7	GOOD! DUNK by ANDELKOVIC,STEFAN [PNT]
	11:16			ASSIST by BAILEY,MICAH
TURNOVER by DUMAS,ZACH	10:58			
	10:48	16-7	H 9	GOOD! LAYUP by ANTHONY,REGGIE [PNT]
GOOD! LAYUP by DUMAS,ZACH [PNT]	10:29	16-9	H 7	
	10:16			TURNOVER by WARD,ZAC
STEAL by DUMAS,ZACH	10:15			
	10:11			FOUL by WARD,ZAC
MISSED FT by DUMAS,ZACH	10:11			
REBOUND (DEADB) by TEAM	10:11			
GOOD! FT by DUMAS,ZACH	10:11	16-10	H 6	
SUB IN: HENDERSON,LAAKEEM	10:11			
SUB IN: TAYLOR,T'ARIES	10:11			
SUB OUT: HARKINS,KEVIN	10:11			
SUB OUT: JOHNSON,TREVOR	10:11			
	10:11			SUB IN: HUDSON,JOHN
	10:11			SUB IN: FRANCIS,WILL
	10:11			SUB IN: GIBSON,JACOB
	10:11			SUB OUT: ANTHONY,REGGIE
	10:11			SUB OUT: BAILEY,MICAH
	10:11			SUB OUT: MCNAIR,BLAKE
	09:54	18-10	H 8	GOOD! LAYUP by GIBSON,JACOB [PNT]

VISITORS: Northwestern Okla.	Time	Score	Margin	HOME: Harding
	09:53			ASSIST by FRANCIS,WILL
GOOD! LAYUP by DUMAS,ZACH [PNT]	09:40	18-12	H 6	
	09:19	20-12	H 8	GOOD! LAYUP by ANDELKOVIC,STEFAN [PNT]
GOOD! LAYUP by HENDERSON,LAAKEEM [PNT]	09:03	20-14	H 6	
	08:46			MISSED LAYUP by FRANCIS,WILL
REBOUND (DEF) by HENDERSON,LAAKEEM	08:46			
GOOD! 3PTR by DUMAS,ZACH	08:41	20-17	H 3	
ASSIST by HENDERSON,LAAKEEM	08:41			
FOUL by DUMAS,ZACH	08:15			
	08:05	23-17	H 6	GOOD! 3PTR by ANDELKOVIC,STEFAN
	08:05			ASSIST by FRANCIS,WILL
MISSED JUMPER by MOTLEY,ADRIAN	07:52			
	07:52			REBOUND (DEF) by HUDSON,JOHN
	07:42	25-17	H 8	GOOD! LAYUP by FRANCIS,WILL [PNT]
TIMEOUT 30SEC	07:29			
TIMEOUT MEDIA	07:29			
SUB IN: LAFOND,JAMAL	07:29			
SUB OUT: MOTLEY,ADRIAN	07:29			
MISSED 3PTR by DUMAS,ZACH	07:20			
	07:20			REBOUND (DEF) by FRANCIS,WILL
	06:55			TURNOVER by ANDELKOVIC,STEFAN
STEAL by HENDERSON,LAAKEEM	06:53			
TURNOVER by HENDERSON,LAAKEEM	06:45			
	06:43			STEAL by FRANCIS,WILL
	06:36			MISSED JUMPER by FRANCIS,WILL
REBOUND (DEF) by LAFOND,JAMAL	06:36			
MISSED 3PTR by TAYLOR,T'ARIES	06:20			
	06:20			REBOUND (DEF) by ANDELKOVIC,STEFAN
	06:14			TURNOVER by ANDELKOVIC,STEFAN
STEAL by LAFOND,JAMAL	06:13			
MISSED LAYUP by DUMAS,ZACH	06:12			
	06:12			REBOUND (DEF) by ANDELKOVIC,STEFAN
FOUL by DUMAS,ZACH	05:56			
	05:56			TIMEOUT MEDIA
	05:56	26-17	H 9	GOOD! FT by GIBSON,JACOB
	05:56	27-17	H 10	GOOD! FT by GIBSON,JACOB
SUB IN: GREEN,BRANDON	05:56			
SUB IN: MOTLEY,ADRIAN	05:56			
SUB OUT: DUMAS,ZACH	05:56			
SUB OUT: MARTIN,DEIONDRAY	05:56			
	05:56			SUB IN: BURRELL,ANTOINE
	05:56			SUB IN: MCNAIR,BLAKE
	05:56			SUB IN: ANTHONY,REGGIE
	05:56			SUB OUT: HUDSON,JOHN
	05:56			SUB OUT: WARD,ZAC
	05:56			SUB OUT: ANDELKOVIC,STEFAN
GOOD! JUMPER by HENDERSON,LAAKEEM	05:42	27-19	H 8	
	05:30			TURNOVER by FRANCIS,WILL
STEAL by TAYLOR,T'ARIES	05:29			
GOOD! LAYUP by TAYLOR,T'ARIES [FB/PNT]	05:27	27-21	H 6	
	04:59			MISSED JUMPER by MCNAIR,BLAKE
REBOUND (DEF) by MOTLEY,ADRIAN	04:59			
GOOD! JUMPER by MOTLEY,ADRIAN	04:49	27-23	H 4	
ASSIST by GREEN,BRANDON	04:49			
	04:17	30-23	H 7	GOOD! 3PTR by MCNAIR,BLAKE
GOOD! LAYUP by MOTLEY,ADRIAN [PNT]	03:57	30-25	H 5	
	03:35	32-25	H 7	GOOD! LAYUP by GIBSON,JACOB [PNT]
	03:35			ASSIST by ANTHONY,REGGIE

VISITORS: Northwestern Okla.	Time	Score	Margin	HOME: Harding
	03:16			FOUL by BURRELL,ANTOINE
TIMEOUT MEDIA	03:16			
MISSED FT by MOTLEY,ADRIAN	03:16			
REBOUND (DEADB) by TEAM	03:16			
MISSED FT by MOTLEY,ADRIAN	03:16			
	03:16			REBOUND (DEF) by FRANCIS,WILL
SUB IN: JOHNSON,TREVOR	03:16			
SUB IN: MARTIN,DEIONDRAY	03:16			
SUB OUT: GREEN,BRANDON	03:16			
SUB OUT: LAFOND,JAMAL	03:16			
	03:16			SUB IN: ANDELKOVIC,STEFAN
	03:16			SUB OUT: BURRELL,ANTOINE
	03:03			MISSED 3PTR by ANDELKOVIC,STEFAN
REBOUND (DEF) by JOHNSON,TREVOR	03:03			
MISSED LAYUP by HENDERSON,LAAKEEM	02:52			
	02:52			REBOUND (DEF) by MCNAIR,BLAKE
	02:43	34-25	H 9	GOOD! JUMPER by GIBSON,JACOB [FB]
	02:13			FOUL by GIBSON,JACOB
GOOD! FT by MARTIN,DEIONDRAY	02:13	34-26	H 8	
GOOD! FT by MARTIN,DEIONDRAY	02:13	34-27	H 7	
SUB IN: DUMAS,ZACH	02:13			
SUB OUT: HENDERSON,LAAKEEM	02:13			
	02:13			SUB IN: WARD,ZAC
	02:13			SUB OUT: GIBSON,JACOB
	01:52			MISSED JUMPER by ANDELKOVIC,STEFAN
REBOUND (DEF) by MARTIN,DEIONDRAY	01:52			
GOOD! LAYUP by DUMAS,ZACH [PNT]	01:33	34-29	H 5	
	01:23			MISSED JUMPER by ANTHONY,REGGIE
REBOUND (DEF) by MOTLEY,ADRIAN	01:23			
	01:07			FOUL by ANDELKOVIC,STEFAN
GOOD! FT by MARTIN,DEIONDRAY	01:07	34-30	H 4	
GOOD! FT by MARTIN,DEIONDRAY	01:07	34-31	H 3	
	01:06			TURNOVER by FRANCIS,WILL
STEAL by TAYLOR,T'ARIES	01:05			
FOUL by MOTLEY,ADRIAN	00:57			
TURNOVER by MOTLEY,ADRIAN	00:57			
	00:48			MISSED JUMPER by ANTHONY,REGGIE
	00:48			REBOUND (OFF) by FRANCIS,WILL
	00:44			MISSED LAYUP by FRANCIS,WILL
	00:44			REBOUND (OFF) by ANDELKOVIC,STEFAN
	00:43			MISSED LAYUP by ANDELKOVIC,STEFAN
	00:43			REBOUND (OFF) by ANDELKOVIC,STEFAN
	00:41	36-31	H 5	GOOD! LAYUP by ANDELKOVIC,STEFAN [PNT]
MISSED JUMPER by MOTLEY,ADRIAN	00:24			
REBOUND (OFF) by MARTIN,DEIONDRAY	00:24			
MISSED 3PTR by DUMAS,ZACH	00:13			
	00:13			REBOUND (DEF) by MCNAIR,BLAKE
	00:08			FOUL by MCNAIR,BLAKE
	00:08			TURNOVER by MCNAIR,BLAKE
SUB IN: LAFOND,JAMAL	00:08			
SUB OUT: MOTLEY,ADRIAN	00:08			
	00:01			FOUL by ANDELKOVIC,STEFAN
MISSED FT by DUMAS,ZACH	00:01			
REBOUND (DEADB) by TEAM	00:01			
MISSED FT by DUMAS,ZACH	00:01			
	00:01			REBOUND (DEF) by FRANCIS,WILL

Period 1-only	In Paint	Off T/O	2nd Chance	Fast Break	Bench	****
NWOSUM	14	3	5	2	14	Score tied - 0 times
HU	24	6	4	2	11	Lead changed - 2 times

Official Basketball Box Score -- Game Totals -- Second Half Statistics
Northwestern Okla. vs Harding
1/28/2016 7:30 p.m. at Searcy, Ark. (Rhodes-Reaves Field House)

Northwestern Okla., 33, 5-10, 5-6 GAC

##	Player	S	Total			Rebounds			PF	TP	A	TO	Blk	Stl	Min
			FG-FGA	3PT FG-FGA	FT-FTA	Off Reb	Def Reb	Tot Reb							
02	KLUG,AUSTIN	f	3-7	0-0	0-0	2	2	4	1	6	1	0	0	1	14
05	HENDERSON,LAAKEEM	g	0-3	0-1	0-0	1	1	2	1	0	0	0	0	1	9
10	TAYLOR,T'ARIES	g	0-2	0-2	0-0	0	1	1	3	0	0	2	0	1	17
11	GREEN,BRANDON	g	2-5	0-0	0-0	0	3	3	2	4	0	2	0	1	14
15	MOTLEY,ADRIAN	f	2-5	0-1	3-4	3	3	6	2	7	0	2	0	0	13
01	MARTIN,DEIONDRAY		0-1	0-0	3-4	0	1	1	0	3	0	2	0	0	8
14	DUMAS,ZACH		2-5	0-2	7-10	0	1	1	2	11	3	2	0	0	18
20	LAFOND,JAMAL		0-1	0-1	0-0	0	0	0	0	0	0	0	0	0	2
24	JOHNSON,TREVOR		1-2	0-1	0-0	0	0	0	0	2	0	1	0	0	4
25	ADENIRAN,DANIEL		0-0	0-0	0-0	0	0	0	0	0	0	0	0	0	0
32	HARKINS,KEVIN		0-0	0-0	0-0	0	0	0	0	0	0	0	0	0	0
TEAM						3	0	3	0		0				
Totals			10-31	0-8	13-18	9	12	21	11	33	4	11	0	4	99
FG %	Half:	10-31				32.3%									
3FG %	Half:	0-8				16.7%									
FT %	Half:	13-18				72.2%									

Harding, 48, 10-6, 9-2 GAC

##	Player	S	Total			Rebounds			PF	TP	A	TO	Blk	Stl	Min
			FG-FGA	3PT FG-FGA	FT-FTA	Off Reb	Def Reb	Tot Reb							
03	ANTHONY,REGGIE	g	4-8	1-2	2-3	0	0	0	1	11	1	3	1	1	20
15	GIBSON,JACOB	g	2-4	2-4	2-2	1	3	4	1	8	1	1	0	2	20
21	FRANCIS,WILL	g	4-6	0-1	2-2	0	0	0	4	10	4	3	0	0	20
23	MCNAIR,BLAKE	g	4-6	3-3	6-8	1	4	5	2	17	1	0	0	1	20
50	EGGLESTON,BRADEN	f	0-1	0-0	0-0	0	1	1	0	0	1	0	0	0	4
02	BAILEY,MICAH		0-0	0-0	0-0	0	0	0	0	0	0	0	0	0	0
04	WARD,ZAC		0-0	0-0	0-0	0	2	2	0	0	1	0	0	0	3
22	HUDSON,JOHN		0-0	0-0	0-0	0	0	0	0	0	0	0	0	0	0
24	BURRELL,ANTOINE		0-0	0-0	0-0	0	0	0	0	0	0	0	0	0	0
42	ANDELKOVIC,STEFAN		1-3	0-2	0-0	1	5	6	3	2	1	2	0	0	13
TEAM						0	0	0	0		1				
Totals			15-28	6-12	12-15	3	15	18	11	48	10	10	1	4	100
FG %	Half:	15-28				53.6%									
3FG %	Half:	6-12				33.3%									
FT %	Half:	12-15				80.0%									

Officials: Rick Jones, Alex Manuel and Barry Sturges
 Technical Fouls: Northwestern Okla. - None. Harding - None.

Score by periods	1st	2nd	Total
Northwestern Okla.	31	33	64
Harding	36	48	84

Points	In Paint	Off T/O	2nd Chance	Fast Break	Bench
NWOSUM	14	6	9	0	16
HU	14	15	5	2	2

Last FG - NWOSUM 2nd-00:06, HU 2nd-01:02.
 NWOSUM led for 0:00. HU led for 20:00. Game was tied for 0:00.

Score tied - 0 times
 Lead changed - 0 times

Northwestern Okla. vs Harding
1/28/2016; 7:30 p.m. at Searcy, Ark. (Rhodes-Reaves Field House)
Period 2 Play-By-Play

VISITORS: Northwestern Okla.	Time	Score	Margin	HOME: Harding
	19:41	38-31	H 7	GOOD! JUMPER by FRANCIS,WILL [PNT]
MISSED 3PTR by HENDERSON,LAAKEEM	19:12			
	19:12			REBOUND (DEF) by EGGLESTON,BRADEN
	18:59	41-31	H 10	GOOD! 3PTR by GIBSON,JACOB
	18:59			ASSIST by EGGLESTON,BRADEN
GOOD! LAYUP by GREEN,BRANDON [PNT]	18:32	41-33	H 8	
ASSIST by KLUG,AUSTIN	18:32			
	18:05			MISSED LAYUP by EGGLESTON,BRADEN
	18:05			REBOUND (OFF) by MCNAIR,BLAKE
FOUL by TAYLOR,T'ARIES	18:04			
	18:04	42-33	H 9	GOOD! FT by MCNAIR,BLAKE
	18:04	43-33	H 10	GOOD! FT by MCNAIR,BLAKE
SUB IN: DUMAS,ZACH	18:04			
SUB OUT: HENDERSON,LAAKEEM	18:04			
GOOD! LAYUP by KLUG,AUSTIN [PNT]	17:49	43-35	H 8	
ASSIST by DUMAS,ZACH	17:49			
	17:31	45-35	H 10	GOOD! LAYUP by ANTHONY,REGGIE [PNT]
	17:31			ASSIST by MCNAIR,BLAKE
FOUL by GREEN,BRANDON	17:31			
	17:31			MISSED FT by ANTHONY,REGGIE
REBOUND (DEF) by MOTLEY,ADRIAN	17:31			
MISSED 3PTR by TAYLOR,T'ARIES	17:15			
REBOUND (OFF) by KLUG,AUSTIN	17:15			
MISSED 3PTR by DUMAS,ZACH	17:08			
REBOUND (OFF) by MOTLEY,ADRIAN	17:08			
	17:04			FOUL by MCNAIR,BLAKE
GOOD! FT by MOTLEY,ADRIAN	17:04	45-36	H 9	
MISSED FT by MOTLEY,ADRIAN	17:04			
	17:04			REBOUND (DEF) by MCNAIR,BLAKE
	16:48			MISSED JUMPER by ANTHONY,REGGIE
REBOUND (DEF) by GREEN,BRANDON	16:48			
	16:46			FOUL by ANTHONY,REGGIE
GOOD! LAYUP by GREEN,BRANDON [PNT]	16:33	45-38	H 7	
	16:17	47-38	H 9	GOOD! LAYUP by FRANCIS,WILL [PNT]
MISSED LAYUP by KLUG,AUSTIN	16:02			
REBOUND (OFF) by TEAM	16:02			
TURNOVER by DUMAS,ZACH	15:54			
	15:54			TIMEOUT MEDIA
	15:54			SUB IN: ANDELKOVIC,STEFAN
	15:54			SUB OUT: EGGLESTON,BRADEN
	15:36	50-38	H 12	GOOD! 3PTR by ANTHONY,REGGIE
	15:36			ASSIST by FRANCIS,WILL
MISSED LAYUP by KLUG,AUSTIN	15:19			
REBOUND (OFF) by KLUG,AUSTIN	15:19			
GOOD! LAYUP by KLUG,AUSTIN [PNT]	15:17	50-40	H 10	
	15:07			MISSED JUMPER by ANTHONY,REGGIE
REBOUND (DEF) by KLUG,AUSTIN	15:07			
MISSED LAYUP by GREEN,BRANDON	14:59			
	14:59			BLOCK by ANTHONY,REGGIE
REBOUND (OFF) by TEAM	14:59			
GOOD! LAYUP by MOTLEY,ADRIAN [PNT]	14:48	50-42	H 8	
	14:30	53-42	H 11	GOOD! 3PTR by MCNAIR,BLAKE
	14:30			ASSIST by ANTHONY,REGGIE

VISITORS: Northwestern Okla.	Time	Score	Margin	HOME: Harding
MISSED 3PTR by MOTLEY,ADRIAN	13:59			
	13:59			REBOUND (DEF) by MCNAIR,BLAKE
	13:51			MISSED 3PTR by FRANCIS,WILL
	13:51			REBOUND (OFF) by GIBSON,JACOB
	13:37			MISSED LAYUP by MCNAIR,BLAKE
REBOUND (DEF) by KLUG,AUSTIN	13:37			
TURNOVER by TAYLOR,T'ARIES	13:19			
	13:17			TURNOVER by FRANCIS,WILL
STEAL by GREEN,BRANDON	13:16			
	13:14			FOUL by FRANCIS,WILL
SUB IN: MARTIN,DEIONDRAY	13:14			
SUB OUT: TAYLOR,T'ARIES	13:14			
TURNOVER by MARTIN,DEIONDRAY	12:53			
	12:52			STEAL by ANTHONY,REGGIE
	12:49	55-42	H 13	GOOD! LAYUP by ANTHONY,REGGIE [FB/PNT]
MISSED LAYUP by KLUG,AUSTIN	12:25			
REBOUND (OFF) by MOTLEY,ADRIAN	12:25			
MISSED LAYUP by MOTLEY,ADRIAN	12:23			
	12:23			REBOUND (DEF) by ANDELKOVIC,STEFAN
FOUL by MOTLEY,ADRIAN	12:21			
SUB IN: JOHNSON,TREVOR	12:21			
SUB OUT: GREEN,BRANDON	12:21			
	12:07			TURNOVER by GIBSON,JACOB
GOOD! JUMPER by DUMAS,ZACH	11:56	55-44	H 11	
	11:35			MISSED 3PTR by ANTHONY,REGGIE
REBOUND (DEF) by MOTLEY,ADRIAN	11:35			
FOUL by MOTLEY,ADRIAN	11:28			
TURNOVER by MOTLEY,ADRIAN	11:28			
	11:28			TIMEOUT MEDIA
SUB IN: HENDERSON,LAAKEEM	11:28			
SUB OUT: MOTLEY,ADRIAN	11:28			
	11:12			TURNOVER by ANDELKOVIC,STEFAN
TURNOVER by JOHNSON,TREVOR	11:09			
FOUL by DUMAS,ZACH	11:06			
	11:06			MISSED FT by MCNAIR,BLAKE
	11:06			REBOUND (DEADB) by TEAM
	11:06	56-44	H 12	GOOD! FT by MCNAIR,BLAKE
SUB IN: TAYLOR,T'ARIES	11:06			
SUB OUT: JOHNSON,TREVOR	11:06			
MISSED LAYUP by KLUG,AUSTIN	10:49			
	10:49			REBOUND (DEF) by ANDELKOVIC,STEFAN
FOUL by KLUG,AUSTIN	10:46			
	10:29			TURNOVER by FRANCIS,WILL
MISSED JUMPER by DUMAS,ZACH	10:16			
	10:16			REBOUND (DEF) by MCNAIR,BLAKE
	10:02	58-44	H 14	GOOD! JUMPER by MCNAIR,BLAKE
	10:02			ASSIST by FRANCIS,WILL
GOOD! LAYUP by DUMAS,ZACH [PNT]	09:46	58-46	H 12	
	09:33			MISSED LAYUP by ANTHONY,REGGIE
REBOUND (DEF) by HENDERSON,LAAKEEM	09:33			
SUB IN: GREEN,BRANDON	09:27			
SUB OUT: MARTIN,DEIONDRAY	09:27			
TURNOVER by DUMAS,ZACH	09:23			
	09:10			MISSED 3PTR by GIBSON,JACOB
REBOUND (DEF) by GREEN,BRANDON	09:10			
MISSED JUMPER by GREEN,BRANDON	09:02			
	09:02			REBOUND (DEF) by GIBSON,JACOB
	08:52			MISSED LAYUP by MCNAIR,BLAKE

VISITORS: Northwestern Okla.	Time	Score	Margin	HOME: Harding
REBOUND (DEF) by TAYLOR,T'ARIES	08:52			
	08:43			FOUL by GIBSON,JACOB
GOOD! FT by DUMAS,ZACH	08:43	58-47	H 11	
GOOD! FT by DUMAS,ZACH	08:43	58-48	H 10	
	08:26	60-48	H 12	GOOD! JUMPER by ANDELKOVIC,STEFAN
MISSED 3PTR by DUMAS,ZACH	08:11			
REBOUND (OFF) by HENDERSON,LAAKEEM	08:11			
MISSED JUMPER by HENDERSON,LAAKEEM	07:58			
	07:58			REBOUND (DEF) by MCNAIR,BLAKE
	07:46			MISSED 3PTR by ANDELKOVIC,STEFAN
REBOUND (DEF) by DUMAS,ZACH	07:46			
GOOD! JUMPER by KLUG,AUSTIN	07:34	60-50	H 10	
ASSIST by DUMAS,ZACH	07:34			
	07:06			MISSED 3PTR by ANDELKOVIC,STEFAN
REBOUND (DEF) by GREEN,BRANDON	07:06			
MISSED LAYUP by GREEN,BRANDON	06:57			
	06:57			REBOUND (DEF) by ANDELKOVIC,STEFAN
	06:49			TURNOVER by FRANCIS,WILL
STEAL by HENDERSON,LAAKEEM	06:49			
TIMEOUT 30SEC	06:49			
MISSED LAYUP by HENDERSON,LAAKEEM	06:28			
	06:28			REBOUND (DEF) by ANDELKOVIC,STEFAN
SUB IN: MOTLEY,ADRIAN	06:21			
SUB OUT: KLUG,AUSTIN	06:21			
FOUL by HENDERSON,LAAKEEM	06:16			
	06:16			TIMEOUT MEDIA
SUB IN: MARTIN,DEIONDRAY	06:16			
SUB OUT: HENDERSON,LAAKEEM	06:16			
	06:10	61-50	H 11	GOOD! FT by GIBSON,JACOB
	06:10	62-50	H 12	GOOD! FT by GIBSON,JACOB
TURNOVER by MOTLEY,ADRIAN	05:55			
	05:53			STEAL by GIBSON,JACOB
FOUL by TAYLOR,T'ARIES	05:48			
	05:48	63-50	H 13	GOOD! FT by FRANCIS,WILL
	05:48	64-50	H 14	GOOD! FT by FRANCIS,WILL
	05:34			FOUL by ANDELKOVIC,STEFAN
GOOD! FT by MARTIN,DEIONDRAY	05:34	64-51	H 13	
GOOD! FT by MARTIN,DEIONDRAY	05:34	64-52	H 12	
	05:21			MISSED 3PTR by GIBSON,JACOB
	05:21			REBOUND (OFF) by ANDELKOVIC,STEFAN
	05:12	67-52	H 15	GOOD! 3PTR by MCNAIR,BLAKE
	05:12			ASSIST by FRANCIS,WILL
	05:00			FOUL by MCNAIR,BLAKE
GOOD! FT by MARTIN,DEIONDRAY	05:00	67-53	H 14	
MISSED FT by MARTIN,DEIONDRAY	05:00			
	05:00			REBOUND (DEF) by ANDELKOVIC,STEFAN
SUB IN: KLUG,AUSTIN	05:00			
SUB OUT: TAYLOR,T'ARIES	05:00			
	04:40			TURNOVER by ANTHONY,REGGIE
STEAL by KLUG,AUSTIN	04:37			
MISSED LAYUP by MARTIN,DEIONDRAY	04:31			
	04:31			REBOUND (DEF) by GIBSON,JACOB
	04:27			MISSED LAYUP by FRANCIS,WILL
REBOUND (DEF) by MARTIN,DEIONDRAY	04:27			
TURNOVER by MARTIN,DEIONDRAY	04:27			
	04:27			TURNOVER by ANTHONY,REGGIE
SUB IN: TAYLOR,T'ARIES	04:27			
SUB OUT: KLUG,AUSTIN	04:27			

VISITORS: Northwestern Okla.	Time	Score	Margin	HOME: Harding
MISSED 3PTR by TAYLOR,T'ARIES	04:26			
REBOUND (OFF) by MOTLEY,ADRIAN	04:26			
	04:26			FOUL by FRANCIS,WILL
GOOD! FT by MOTLEY,ADRIAN	04:26	67-54	H 13	
GOOD! FT by MOTLEY,ADRIAN	04:26	67-55	H 12	
SUB IN: KLUG,AUSTIN	04:26			
SUB OUT: TAYLOR,T'ARIES	04:26			
FOUL by DUMAS,ZACH	04:25			
	04:25	68-55	H 13	GOOD! FT by ANTHONY,REGGIE
	04:25	69-55	H 14	GOOD! FT by ANTHONY,REGGIE
SUB IN: TAYLOR,T'ARIES	04:25			
SUB OUT: KLUG,AUSTIN	04:25			
	04:20			FOUL by FRANCIS,WILL
MISSED FT by DUMAS,ZACH	04:20			
REBOUND (DEADB) by TEAM	04:20			
GOOD! FT by DUMAS,ZACH	04:20	69-56	H 13	
	04:17			TURNOVER by ANTHONY,REGGIE
STEAL by TAYLOR,T'ARIES	04:16			
TURNOVER by TAYLOR,T'ARIES	04:11			
	03:58	72-56	H 16	GOOD! 3PTR by MCNAIR,BLAKE
	03:58			ASSIST by FRANCIS,WILL
TURNOVER by GREEN,BRANDON	03:46			
	03:45			STEAL by MCNAIR,BLAKE
FOUL by GREEN,BRANDON	03:43			
	03:43			TIMEOUT MEDIA
	03:43	73-56	H 17	GOOD! FT by MCNAIR,BLAKE
	03:43	74-56	H 18	GOOD! FT by MCNAIR,BLAKE
	03:32			FOUL by ANDELKOVIC,STEFAN
GOOD! FT by DUMAS,ZACH	03:32	74-57	H 17	
GOOD! FT by DUMAS,ZACH	03:32	74-58	H 16	
	03:24			TURNOVER by ANDELKOVIC,STEFAN
TURNOVER by GREEN,BRANDON	03:21			
	03:20			STEAL by GIBSON,JACOB
	03:16	76-58	H 18	GOOD! LAYUP by ANTHONY,REGGIE [PNT]
	03:16			ASSIST by ANDELKOVIC,STEFAN
	03:06			FOUL by ANDELKOVIC,STEFAN
GOOD! FT by DUMAS,ZACH	03:06	76-59	H 17	
MISSED FT by DUMAS,ZACH	03:06			
	03:06			REBOUND (DEF) by GIBSON,JACOB
SUB IN: JOHNSON,TREVOR	03:06			
SUB OUT: GREEN,BRANDON	03:06			
	03:06			SUB IN: WARD,ZAC
	03:06			SUB OUT: ANDELKOVIC,STEFAN
FOUL by TAYLOR,T'ARIES	02:42			
	02:42	77-59	H 18	GOOD! FT by MCNAIR,BLAKE
	02:42			MISSED FT by MCNAIR,BLAKE
REBOUND (DEF) by MOTLEY,ADRIAN	02:42			
MISSED LAYUP by MOTLEY,ADRIAN	02:34			
REBOUND (OFF) by TEAM	02:34			
GOOD! JUMPER by MOTLEY,ADRIAN	02:28	77-61	H 16	
ASSIST by DUMAS,ZACH	02:28			
	02:13	79-61	H 18	GOOD! LAYUP by FRANCIS,WILL [PNT]
	01:57			FOUL by FRANCIS,WILL
MISSED FT by DUMAS,ZACH	01:57			
REBOUND (DEADB) by TEAM	01:57			
GOOD! FT by DUMAS,ZACH	01:57	79-62	H 17	
SUB IN: HENDERSON,LAAKEEM	01:57			
SUB IN: LAFOND,JAMAL	01:57			

VISITORS: Northwestern Okla.	Time	Score	Margin	HOME: Harding
SUB OUT: MOTLEY,ADRIAN	01:57			
SUB OUT: MARTIN,DEIONDRAY	01:57			
	01:36	81-62	H 19	GOOD! LAYUP by FRANCIS,WILL [PNT]
	01:36			ASSIST by GIBSON,JACOB
MISSED 3PTR by JOHNSON,TREVOR	01:28			
	01:28			REBOUND (DEF) by WARD,ZAC
	01:02	84-62	H 22	GOOD! 3PTR by GIBSON,JACOB
	01:02			ASSIST by WARD,ZAC
MISSED 3PTR by LAFOND,JAMAL	00:45			
	00:45			REBOUND (DEF) by WARD,ZAC
	00:12			TURNOVER by TEAM
SUB IN: ADENIRAN,DANIEL	00:12			
SUB OUT: TAYLOR,T'ARIES	00:12			
GOOD! LAYUP by JOHNSON,TREVOR [PNT]	00:06	84-64	H 20	

Northwestern Okla. 64, Harding 84

Period 2-only	In Paint	Off T/O	2nd Chance	Fast Break	Bench	****
NWOSUM	14	6	9	0	16	Score tied - 0 times
HU	14	15	5	2	2	Lead changed - 0 times

Northwestern Okla. vs Harding

1/28/2016; 7:30 p.m. at Searcy, Ark. (Rhodes-Reaves Field House)

Scoring/Runs Reference

Period 1			Period 2		
Northwestern Okla.	Score	Harding	Northwestern Okla.	Score	Harding
19:52 - MOTLEY, JUMPER	2 2-0 -2			31-38 7	2 ^P FRANCIS, JUMPER - 19:41
		FRANCIS, LAYUP - 19:31	19:12 - HENDERSON, 3PTR	X	
19:20 - KLUG, LAYUP	X			31-41 10	3 GIBSON, 3PTR - 18:59
		GIBSON, LAYUP - 19:13	18:32 - GREEN, LAYUP	2 ^P 33-41 8	
		EGGLESTON, LAYUP - 19:09			X EGGLESTON, LAYUP - 18:05
19:00 - TAYLOR, 3PTR	X			33-42 9	1 MCNAIR, FT - 18:04
18:39 - HENDERSON, 3PTR	X			33-43 10	1 MCNAIR, FT - 18:04
18:35 - MOTLEY, LAYUP	2 ^P 4-2 -2		17:49 - KLUG, LAYUP	2 ^P 35-43 8	
		FRANCIS, LAYUP - 18:22		35-45 10	2 ^P ANTHONY, LAYUP - 17:31
17:54 - GREEN, JUMPER	X				X ANTHONY, FT - 17:31
		GIBSON, 3PTR - 17:45	17:15 - TAYLOR, 3PTR	X	
17:25 - MOTLEY TURN TO		GIBSON TURN - 17:17	17:08 - DUMAS, 3PTR	X	
			17:04 - MOTLEY, FT	1 36-45 9	
17:01 - MOTLEY, JUMPER	X		17:04 - MOTLEY, FT	X	
		ANTHONY, LAYUP - 16:53			X ANTHONY, JUMPER - 16:48
		ANTHONY, FT - 16:53	16:33 - GREEN, LAYUP	2 ^P 38-45 7	
16:37 - GREEN, LAYUP	X			38-47 9	2 ^P FRANCIS, LAYUP - 16:17
16:24 - TAYLOR, 3PTR	X		16:02 - KLUG, LAYUP	X	
16:16 - TAYLOR, 3PTR	3 7-6 -1		15:54 - DUMAS TURN TO		
		MCNAIR, LAYUP - 16:01		38-50 12	3 ANTHONY, 3PTR - 15:36
15:44 - MOTLEY TURN TO			15:19 - KLUG, LAYUP	X	
		ANTHONY, JUMPER - 15:20	15:17 - KLUG, LAYUP	2 ^P 40-50 10	
15:15 - DUMAS TURN TO		MCNAIR, 3PTR - 14:54			X ANTHONY, JUMPER - 15:07
			14:59 - GREEN, LAYUP	X	
14:33 - GREEN TURN TO			14:48 - MOTLEY, LAYUP	2 ^P 42-50 8	
		MCNAIR, JUMPER - 14:07		42-53 11	3 MCNAIR, 3PTR - 14:30
13:50 - JOHNSON, 3PTR	X		13:59 - MOTLEY, 3PTR	X	
13:42 - DUMAS, 3PTR	X				X FRANCIS, 3PTR - 13:51
		BAILEY, 3PTR - 13:26	13:19 - TAYLOR TURN TO		X MCNAIR, LAYUP - 13:37
13:08 - MOTLEY, JUMPER	X				TO FRANCIS TURN - 13:17
		MCNAIR TURN - 12:42	12:53 - MARTIN TURN TO		
12:39 - TAYLOR, LAYUP	X			42-55 13	2 ^{PF} ANTHONY, LAYUP - 12:49
		ANTHONY TURN - 12:31	12:25 - KLUG, LAYUP	X	
12:17 - MOTLEY, 3PTR	X		12:23 - MOTLEY, LAYUP	X	
12:09 - DUMAS, JUMPER	X				TO GIBSON TURN - 12:07
			11:56 - DUMAS, JUMPER	2 44-55 11	
					X ANTHONY, 3PTR - 11:35
			11:28 - MOTLEY TURN TO		

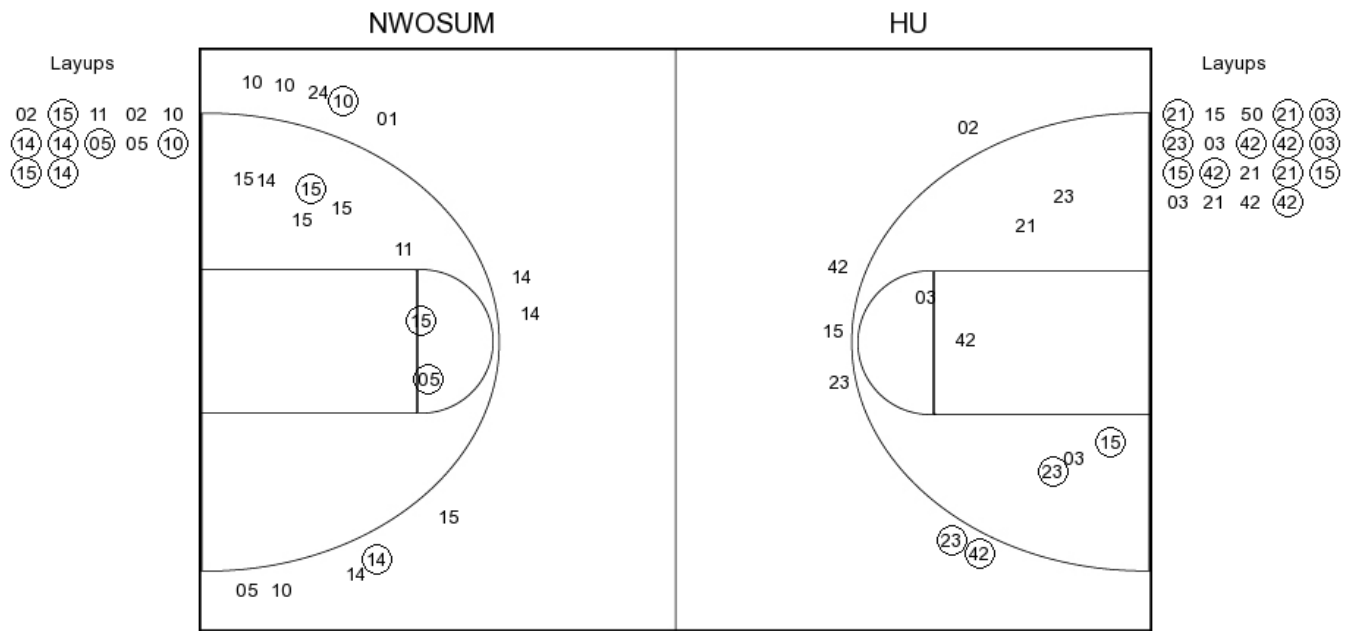
		X	ANDELKOVIC,3PTR - 03:03	04:26,-,MOTLEY,FT	1	55-67 12		
02:52 - HENDERSON,LAYUP	X					55-68 13	1	ANTHONY,FT,-,04:25
						55-69 14	1	ANTHONY,FT,-,04:25
		25-34 9	2 ^F	GIBSON,JUMPER,- ,02:43	04:20 - DUMAS,FT	X		
02:13,-,MARTIN,FT	1	26-34 8			04:20,-,DUMAS,FT	1	56-69 13	TO ANTHONY TURN -,04:17
02:13,-,MARTIN,FT	1	27-34 7			04:11,-,TAYLOR TURN TO			
			X	ANDELKOVIC,JUMPER - 01:52	03:46,-,GREEN TURN TO	56-72 16	3	MCNAIR,3PTR,-,03:58
01:33,-,DUMAS,LAYUP	2 ^P	29-34 5				56-73 17	1	MCNAIR,FT,-,03:43
			X	ANTHONY,JUMPER - 01:23	03:32,-,DUMAS,FT	56-74 18	1	MCNAIR,FT,-,03:43
01:07,-,MARTIN,FT	1	30-34 4			03:32,-,DUMAS,FT	1	57-74 17	
01:07,-,MARTIN,FT	1	31-34 3				1	58-74 16	TO ANDELKOVIC TURN - ,03:24
				TO FRANCIS TURN -,01:06	03:21,-,GREEN TURN TO			
00:57,-,MOTLEY TURN TO			X	ANTHONY,JUMPER - 00:48		58-76 18	2 ^P	ANTHONY,LAYUP,- ,03:16
			X	FRANCIS,LAYUP - 00:44	03:06,-,DUMAS,FT	1	59-76 17	
			X	ANDELKOVIC,LAYUP - 00:43	03:06 - DUMAS,FT	X		
		31-36 5	2 ^P	ANDELKOVIC,LAYUP,- ,00:41		59-77 18	1	MCNAIR,FT,-,02:42
00:24 - MOTLEY,JUMPER	X					X		MCNAIR,FT - 02:42
00:13 - DUMAS,3PTR	X				02:34 - MOTLEY,LAYUP	X		
					02:28,- ,MOTLEY,JUMPER	2	61-77 16	
				TO MCNAIR TURN -,00:08	01:57 - DUMAS,FT	X		
00:01 - DUMAS,FT	X				01:57,-,DUMAS,FT	1	62-79 17	FRANCIS,LAYUP,-,02:13
00:01 - DUMAS,FT	X					62-81 19	2 ^P	FRANCIS,LAYUP,-,01:36
					01:28 - JOHNSON,3PTR	X		
						62-84 22	3	GIBSON,3PTR,-,01:02
					00:45 - LAFOND,3PTR	X		
								TO TEAM TURN -,00:12
					00:06,- ,JOHNSON,LAYUP	2 ^P	64-84 20	

Northwestern Okla. vs Harding

OFFICIAL SHOT CHART

1/28/2016 at Searcy, Ark. (Rhodes-Reaves Field House)

PERIOD 1



NWOSUM PERIOD 1

FG Made	12
FG Attempted	33
3PFG Made	2
3PFG Attempted	12

HU PERIOD 1

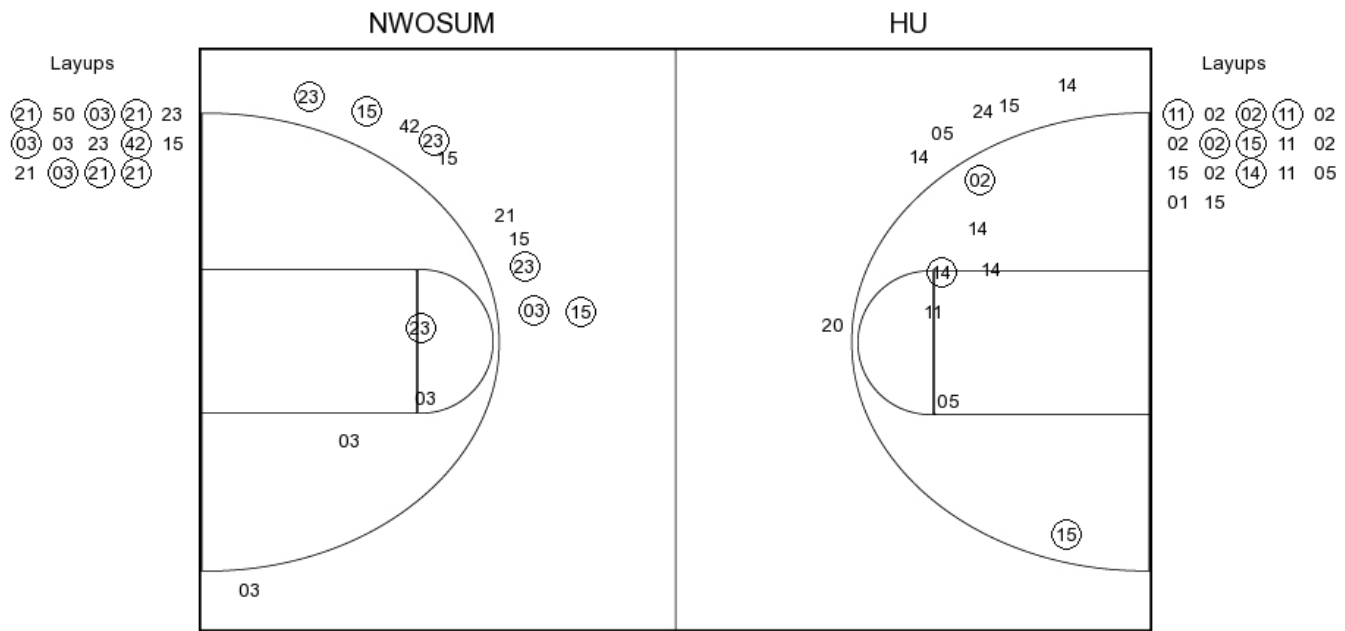
FG Made	16
FG Attempted	32
3PFG Made	2
3PFG Attempted	6

Northwestern Okla. vs Harding

OFFICIAL SHOT CHART

1/28/2016 at Searcy, Ark. (Rhodes-Reaves Field House)

PERIOD 2



NWOSUM PERIOD 2

FG Made	10
FG Attempted	31
3PFG Made	0
3PFG Attempted	8

HU PERIOD 2

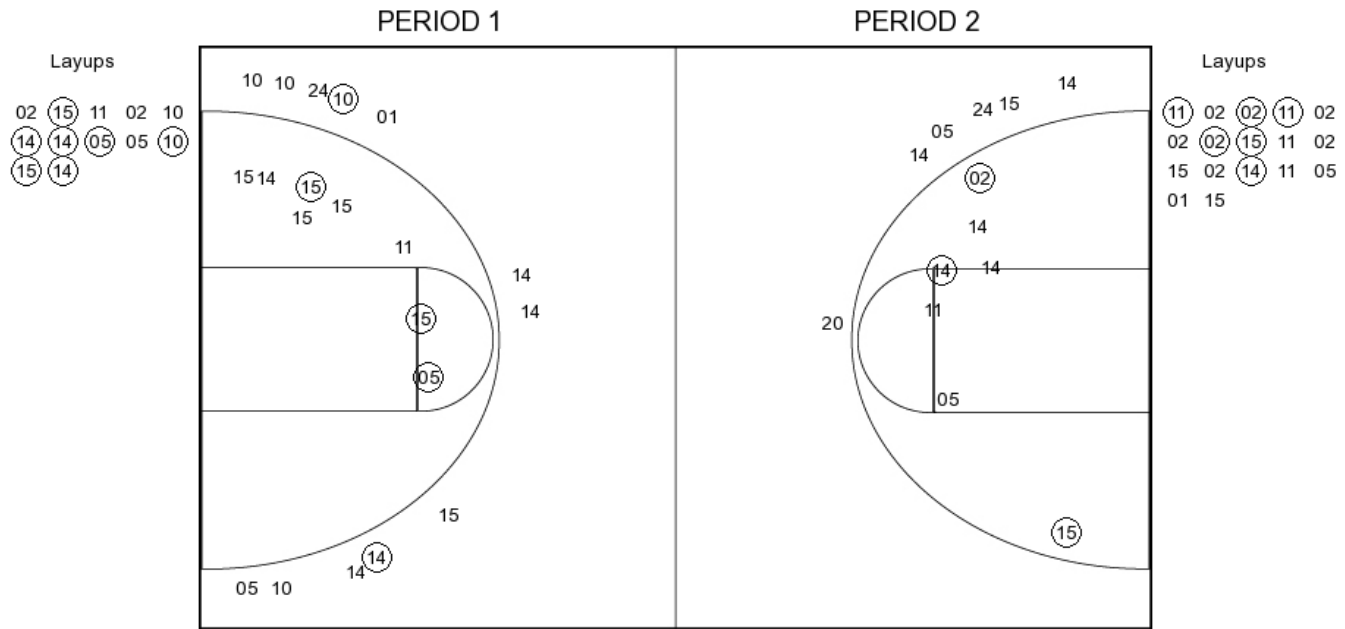
FG Made	15
FG Attempted	28
3PFG Made	6
3PFG Attempted	12

Northwestern Okla. vs Harding

OFFICIAL SHOT CHART

1/28/2016 at Searcy, Ark. (Rhodes-Reaves Field House)

Northwestern Okla.



NWOSUM PERIOD 1

FG Made	12
FG Attempted	33
3PFG Made	2
3PFG Attempted	12

NWOSUM PERIOD 2

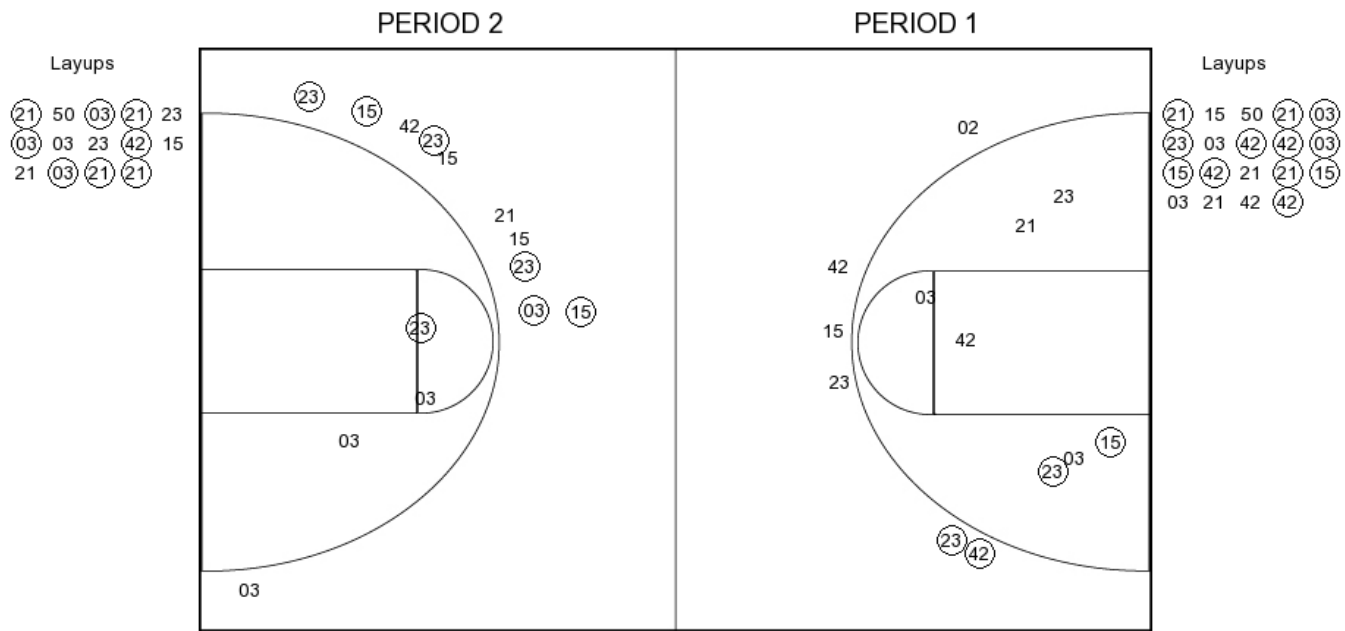
FG Made	10
FG Attempted	31
3PFG Made	0
3PFG Attempted	8

Northwestern Okla. vs Harding

OFFICIAL SHOT CHART

1/28/2016 at Searcy, Ark. (Rhodes-Reaves Field House)

Harding



HU PERIOD 1

FG Made	16
FG Attempted	32
3PFG Made	2
3PFG Attempted	6

HU PERIOD 2

FG Made	15
FG Attempted	28
3PFG Made	6
3PFG Attempted	12